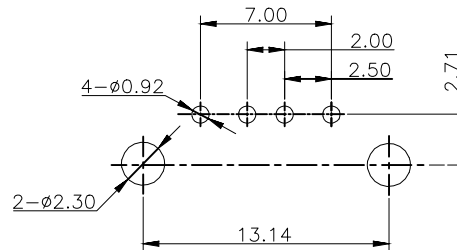
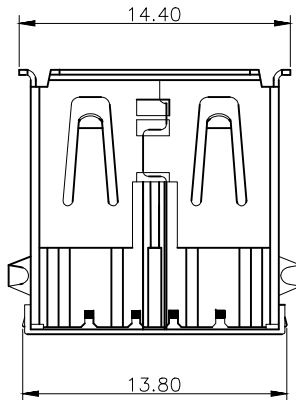
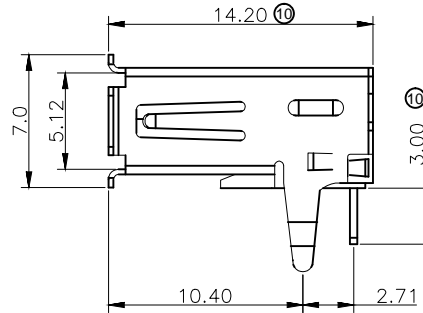
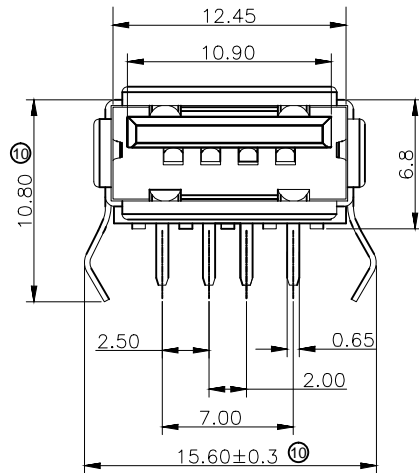


**⑩⑨ USB 2.0 COMPLIANT**



RECOMMENDED P.C.B LAYOUT  
(TOLERANCE:±0.05)

**NOTES:**

- 1.Material:
  - 1.1 Housing: PBT+30%GF UL94V-0, Color Black
  - 1.2 Shell: Brass
  - 1.3 Contact :Phosphor Bronze
- 2. FINISH:
  - 2.1 Contact Area: Gold Flash
  - Solder Area: Tin Plated
  - Under: Ni Plated
- 3.MECHANICAL:
  - 3.1 Mating Force:3.57kgf Max.
  - 3.2 Unmating Force:1.02kgf Min
  - 3.3 Durability:1500 cycles Min
- 4.ELECTRICAL:
  - 4.1 Current Rating:1.5A
  - ⑫ 4.2 Dielectric Strength:1KV AC FOR 1 MINUTE
  - 4.3 Contact Resistance:30mΩ Max
  - 4.4 Insulation Resistance:1000 MΩ Min
  - ⑬ 4.5 Voltage Rating: 30VAC
  - 5.Operating temperature: -55°C TO +85°C
  - ⑬ 6.Soldering temperature: +235°C, 5s max.
  - 7.PACKIING: Tray

**RoHS compliant**  
Unit: mm

Scale	Free	⑬	Update	30.10.2019	Winnie		Date	Name	Customer-No.
TOLERANCE		⑫	Update the dielectric Strength	21.01.2016	Winnie	Drawn	16.05.2007	Hellwig	
X.X	±0.30	⑪	Update to "USB 2.0 COMPLIANT"	19.08.2013	Amy	Approved	30.10.2019	Carson	ASSMANN WSW-No.
X.XX	±0.20	⑩	Update	07.06.2013	Winnie				<b>A-USBSA</b>
X.XXX	±0.10	⑨	Add "USB 2.0"	18.02.2013	Amy	<b>ASSMANN</b> WSW components			
DIM	TOL	⑧	Plant change and tiny appearance diff.	02.05.2011	Lucas				Drawing-No.
ANG.	±1°	Id.	Modification	Date	Name	Replace		Sheet	

