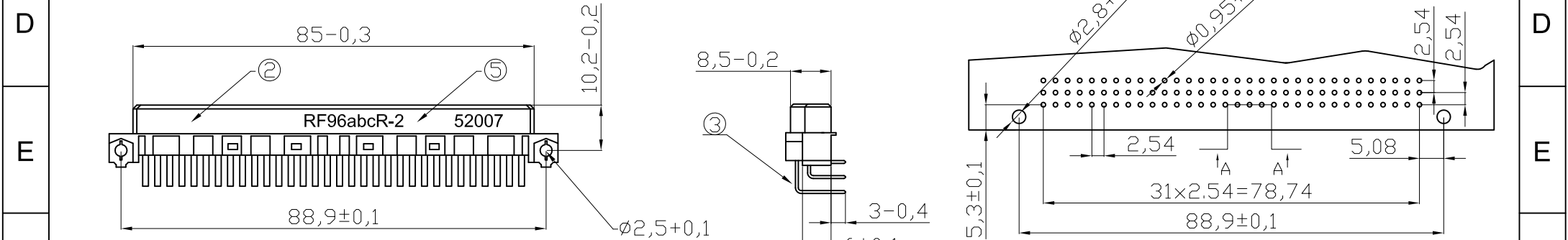


Recommended Hole Specifications
Section A-A
Scale 6:1

NOTES:

- ① Connector Meets Requirement OF DIN 41612
- ② Material:
1.Housing : Glass-Filled PBT. Color: Grey, UL 94V-0
2.Contact : Copper Alloy
- ③ Contact Tail Dimension
Thickness :0.35±0.02mm
Width :0.60±0.04mm
Tail Length :3-0.4mm
- ④ Contact Finish(Option in Part Number)
-1: 25µ" (0.63µm)Pd/Ni and 2µ"Gold Plating on Mating Area ,100µ"(2.54µm)Tin Plating on Tail Area, Flash Gold Plating on Non-mating Area,50µ" (1.27µm)Nickel Underplate All Over
-2: 12µ" (0.30µm)Pd/Ni and 2µ"Gold Plating on Mating Area ,100µ"(2.54µm)Tin Plating on Tail Area, Flash Gold Plating on Non-mating Area,50µ" (1.27µm)Nickel Underplate All Over
Blank: Flash Gold Plating on mating and non-mating Area, Tin Plating on Tail Area,Nickel Underplate All Over
- ⑤ Connector Printed with Part Number,and Batch Number



Recommended PCB Hole Layout
Component Side
Scale 1:1

RoHS compliant

Scale	1:1						Date	Name	Customer-No.
TOLERANCE						Drawn	05.09.2008	N.Schulz	
X.	±0.25					Approved	15.03.2011	Hellwig	ASSMANN WSW-No. A-RF64ACR-x A-RF96ABCR-x
X.X	±0.1								
X.XX	±0.05	③	Modify plating spec.	15.03.2011	Dean				
X.XXX	±0.012	②	Corrected P/N	16.07.2009	Dean				Drawing-No.
DIM	TOL								ASS 2771 CO
Angle	±1°	①	Drawn	05.09.2008	N.Schulz				rev03
		Id.	Modification	Date	Name			Replace	Sheet

