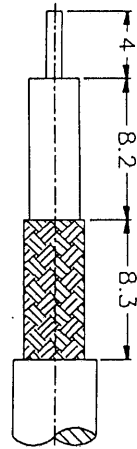
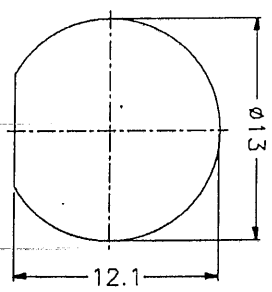


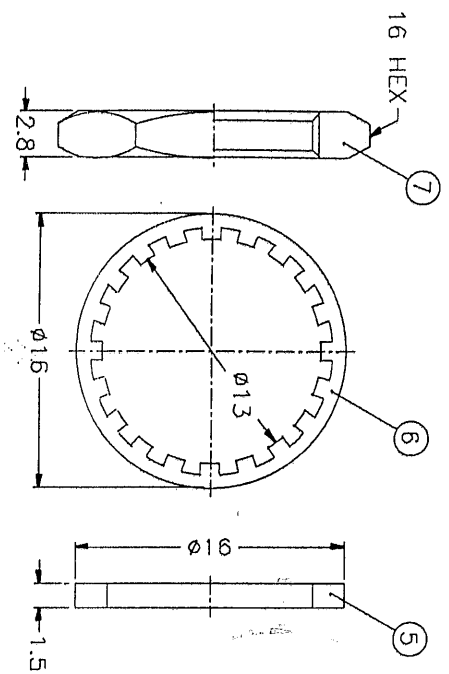
ISS	ZONE	DESCRIPTION\PER REQUEST\DATE
1	2	



RECOMMENDED  
CABLE STRIPPING DIM'S

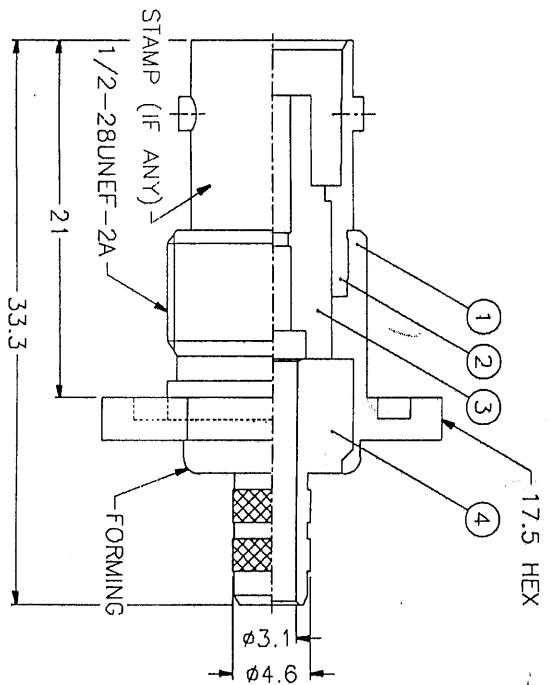


RECOMMENDED  
MOUNTING HOLE

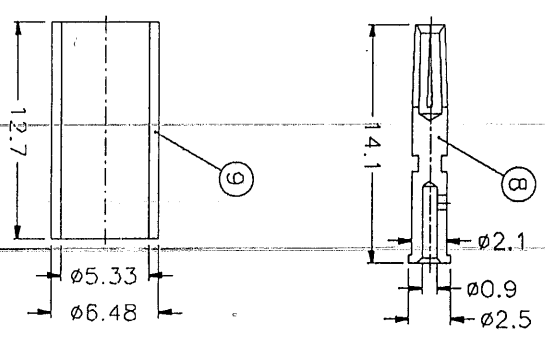


NOTES: FINISH (PLATING THICKNESS IN MICRO-INCHES)

1. BRASS PER QQ-B-626
2. BRASS PER QQ-B-613
3. NICKEL PL. 100 MIN. THICK OVER COPPER STRIKE
4. PHOSPHOR BRONZE PER QQ-B-750
5. GOLD PL. 3 MIN. THICK OVER NICKEL PL. 100 MIN. THICK OVER COPPER STRIKE
6. TEFLON MIL-P-19468



1. CRIMPED FERRULE  
HEX CRIMP SIZE .213"
2. CRIMPED CONTACT PIN  
HEX CRIMP SIZE .068"
3. MAX. PANEL THICKNESS = 6.5mm



NO	DESCRIPTION	MATERIAL	FINISH	QTY
9	FERRULE	COPPER	NOTE 3	1
8	CONTACT PIN	NOTE 4	NOTE 5	1
7	HEX NUT	NOTE 1	NOTE 3	1
6	LOCK WASHER	NOTE 2	NOTE 3	1
5	GASKET	RUBBER	RED	1
4	BARREL	NOTE 1	NOTE 3	1
3	INSULATOR	NOTE 6	NATURAL	1
2	BODY	NOTE 1	NOTE 3	1
1	HOUSING	NOTE 1	NOTE 3	1

SCALE	2.5/1	ISSUE	A
DIMENSIONS ARE IN MILLIMETERS UNLESS OTHERWISE SPECIFIED TOLERANCES			
0.5-6	= ±0.2		
6-30	= ±0.4		
30-120	= ±0.6		
120-315	= ±1		
315-1000	= ±1.6		
1000-2000	= ±2.4		

1 2 3 4 5 6 7 8

A B C D E F