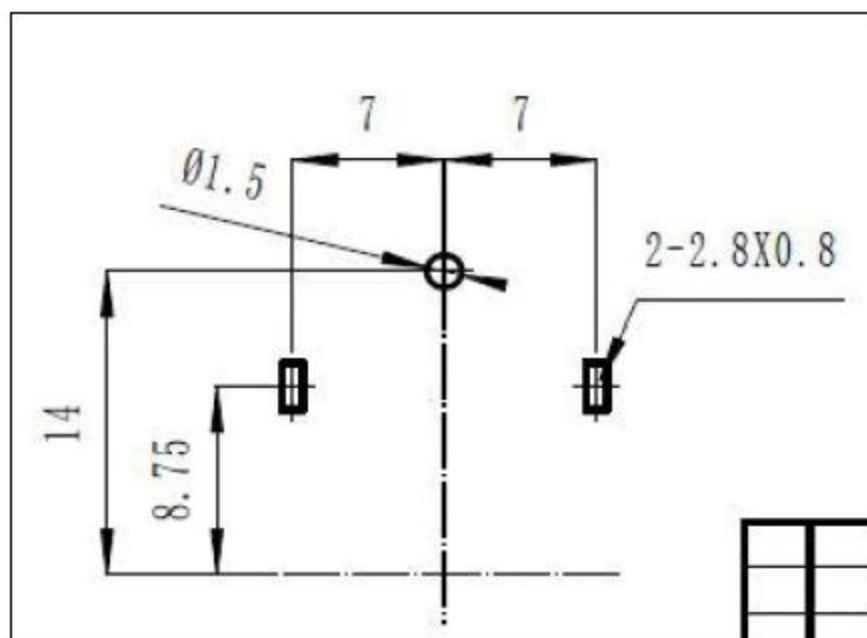
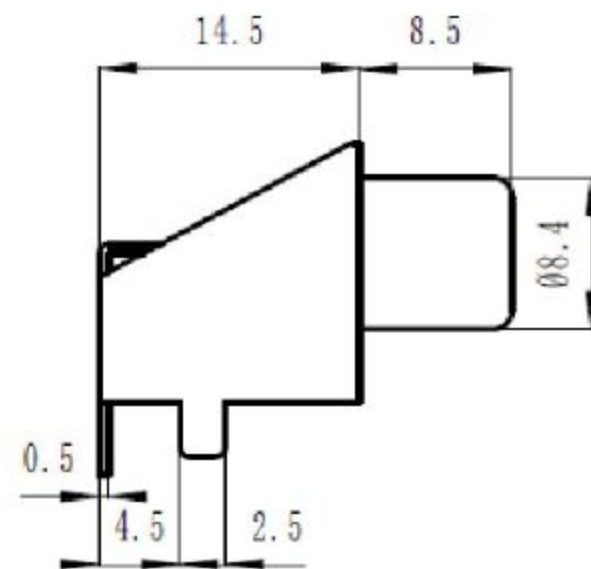
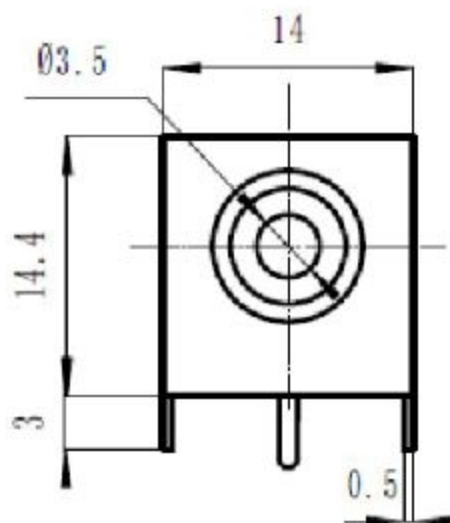


Technical parameters:
 Temperature: -25~+70°C
 Withstand Voltage: AC 500V
 (50Hz)min
 Rated load: DC 50V 0.5A
 Insertion and Extraction Force: 3~25N
 Contact Resistance: $\leq 0.015 \Omega$
 Life: 10000
 Insulation Resistance: $\geq 100M \Omega$



| | | | |
|----------------------------|------------|--------------------------|-----------------|
| A | | ISSUE | 2014.6.25 |
| REV | ECN NO | DESCRIPTION | DATE |
| | | CJ 1 B Ledino / DrSieger | |
| GENERAL TOLERANCE | | CUS P/N: DR | DRAWING 张数 |
| X. | ± 0.30 | X° | $\pm 2.0^\circ$ |
| .X | ± 0.20 | .X° | $\pm 1.0^\circ$ |
| .XX | ± 0.10 | .XX° | $\pm 0.5^\circ$ |
| THIRD ANGLE PROJECT | | SCALE | SHEET |
| | | NONE | 1/1 |
| | | UNIT | REV |
| | | MM | A |