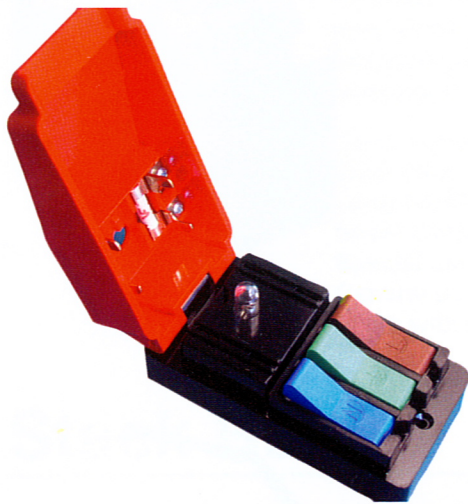


CLIFF

Tools for Electronic Assembly

Quicktest



The Quicktest is ideal for electrical shops, factories, labs and service and test departments.

With the lid open the wires of a plug-less lead are inserted into the insulated clips. When the lid is closed, current passes to the equipment demonstrated or tested.

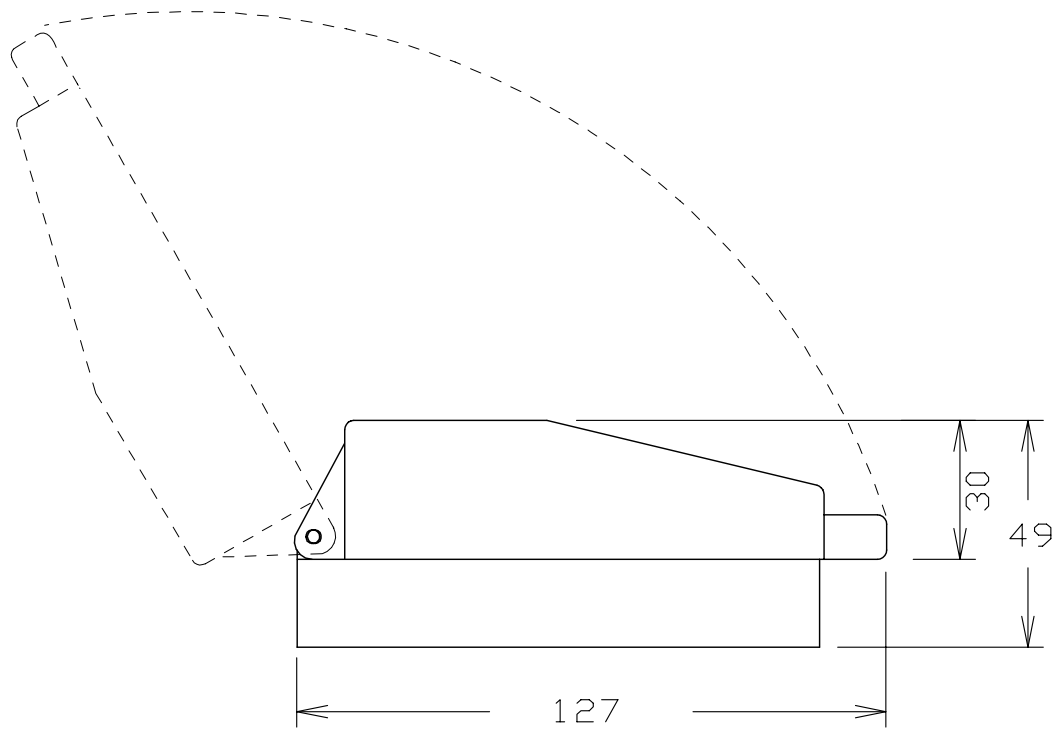
A neon light shows that the connector is live and ready to use. The 13 Amp fuse (BS 1362) is easily accessible for replacement.

The connector is made of tough safe materials. The base is phenolic moulded for insulation and rigidity. The lid is flame retardant glass filled thermo plastic.

The insulated clips are colour coded for easy identification. The flexible cable grip will take any normal mains cable. Only one small screwdriver is needed for both the base entry and the terminal screws.

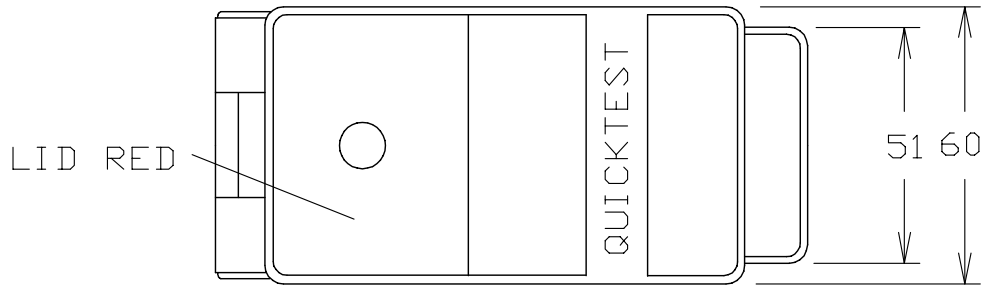
Part Number CL1850 c c

ISS.	AMEND	DATE
1	1st DRAWN	28/10/91
2	CL18545 ADD	8/1/96



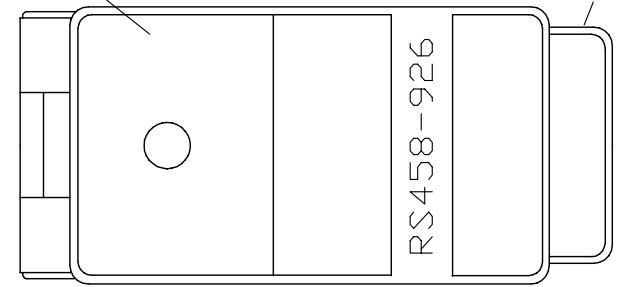
VARIANTS

MODEL	P/No.
RS VERSION	CL 1854
FARNELL VERSION (WITH LABEL ON CARTON 658-716)	CL 18545



STD VERSION

LID BLACK BASE PLATE MARKED
13A 240VAC



RS VERSION (RS458-926)

RATED 13A. 240VAC.

Tolerance

NO DEC. PLACE ± 0.50
 1 DEC. PLACE ± 0.20
 2 DEC. PLACE ± 0.10
 DIA. HOLES ± 0.10
 ANGLES ± 1/2°
 UNLESS OTHERWISE STATED

WHERE USED F.R.
 SCALE N.T.S.

DIMENSIONS IN MILLIMETERS UNLESS OTHERWISE STATED. WORK TO DIMENSIONS. DO NOT SCALE DRAWING. 3rd ANGLE PROJECTION. REMOVE BURRS. IF IN DOUBT ASK.

Cliff Electronic Components Limited 76 Holmethorpe Ave., Holmethorpe Ind. Estate, Redhill, Surrey. RH1 2PF. England. Tel: 01737-771375 Fax: 01737-766012	MATERIAL COMPOSITE		TITLE QUICKTEST	
	FINISH AS MOULDED		DRWG. No. CL 1850	
DRAWN C.A.M.J.	APPD. RWT	FORM: A4DRWGH		