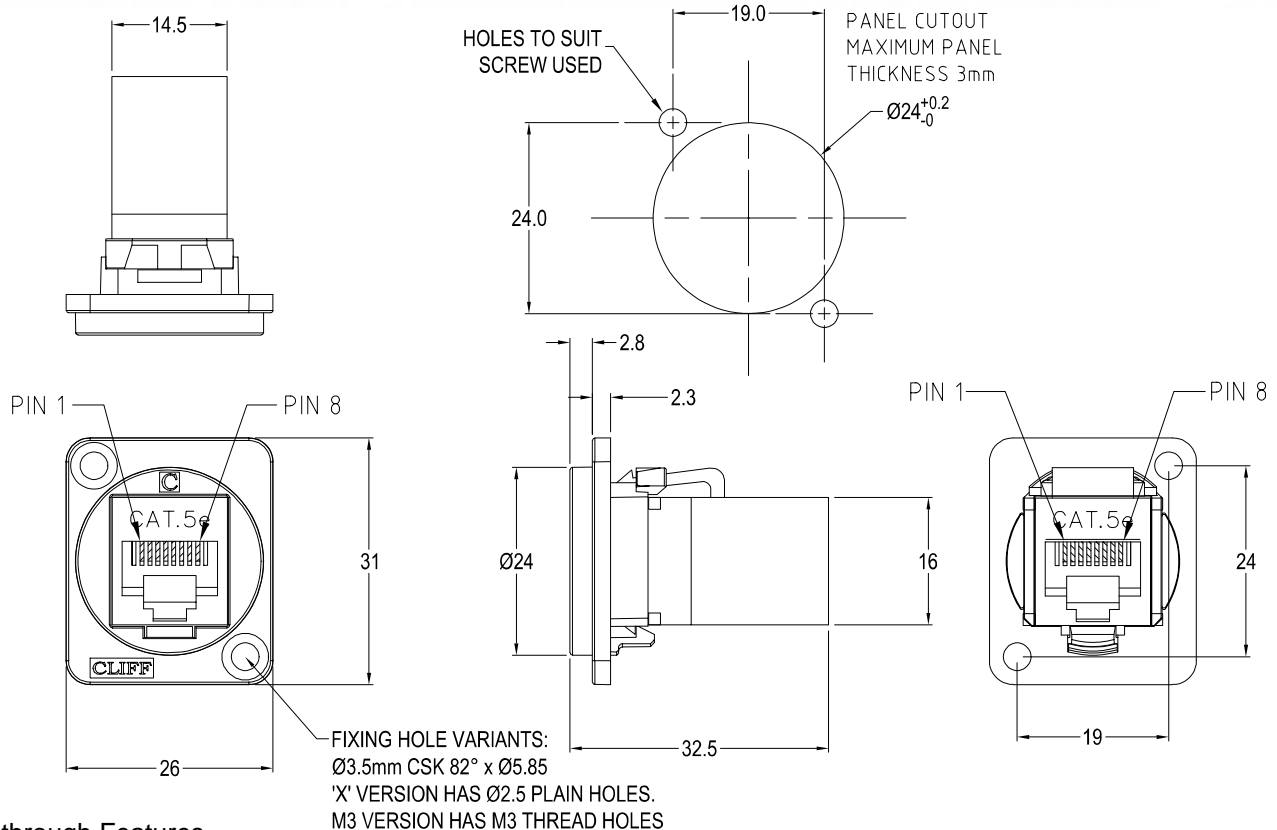


CLIFF

CAT5e RJ45 FEEDTHROUGH CONNECTOR



Feedthrough Features

- Fits standard XLR Ø24mm cutout.
- No soldering or punch termination. Use standard cable for each connector style.
- Front or rear mounted.
- Low rear profile

General:

Please note: Functionality is affected by cable quality, length and cable wiring configuration.

Other models available:

Part No.

CP30220	Cat5e RJ45 Black plastic frame, CSK holes
CP30220W	Cat5e RJ45 White plastic frame, CSK holes
CP30220M	Cat5e RJ45 Nickel plated metal frame, CSK holes
CP30220M3	Cat5e RJ45 Nickel plated metal frame, M3 holes
CP30220MB	Cat5e RJ45 Black metal frame, CSK holes
CP30220M3B	Cat5e RJ45 Black metal frame, M3 holes
CP30220X	Cat5e RJ45 Black plastic frame, PLAIN holes
CP30220XW	Cat5e RJ45 White plastic frame, PLAIN holes

Material:

1. RJ45 In-Line Coupler: ABS UL94-V0
2. RJ45 In-Line Coupler Contact: Phosphor Bronze, 3-50 micro inches gold plating over nickel plate.
3. PCB: FR4
4. Frame: Polyamide UL94-V2

Performance:

1. T568A & T568B wiring.
2. Meet ISO/IEC 11801 and EN50173
3. Meet ANSI/TIA/EIA 568B.2
4. Rating 125VAC RMS 1.5A
5. Operating Temperatures: Min -10°C Max +60°C