

# Saft's Primary Lithium Cells

## Key Features

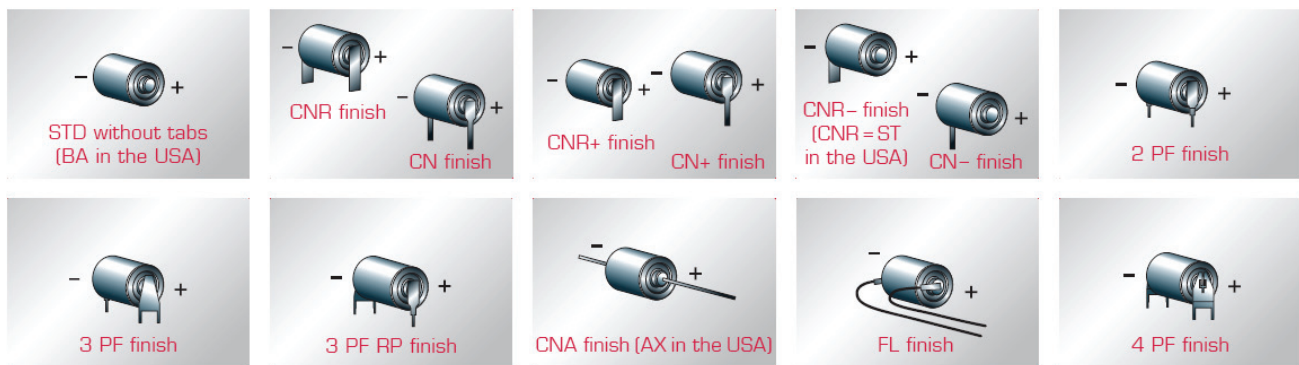
### Examples of individual cell tabbing arrangements

#### Objective

This document describes the marketing requirements for the various cell finishes used in combination with the existing 1/2AA, AA, 2/3A and A size Li-SOCl<sub>2</sub> cells manufactured under the Saft brand name.

#### Cell finish types and main uses

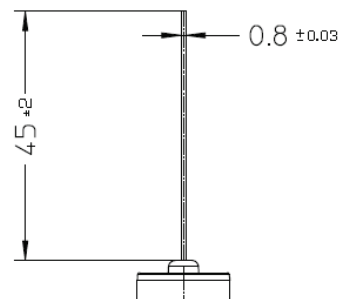
To ensure the mechanical and electrical interfaces between Li-SOCl<sub>2</sub> cells and the PCB of end equipments, various cell finishes are proposed. The designation of the main cells finishes being part of Saft's range are indicated in the following picture.



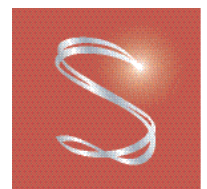
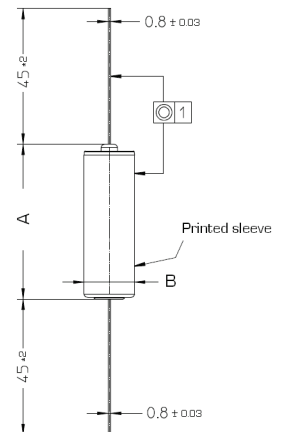
#### CNA Finish

CNA Finished Cell Mechanical Interfaces			
Cell generic name	Cell made in	A	B
LS 14250	PRC, F, UK	25.0 +/- 0.5	14.5 +/- 0.3
LS 14500	PRC, F, UK	50.3 +/- 0.5	14.5 +/- 0.3
LS 17330	UK	33.1 +/- 0.3	16.1 +0.2/-0.1
LS 17500	F, UK	50.7 +/- 0.5	17.0 +/- 0.3

#### CNA pin definition



#### Mechanical dimensions of CNA finished cells



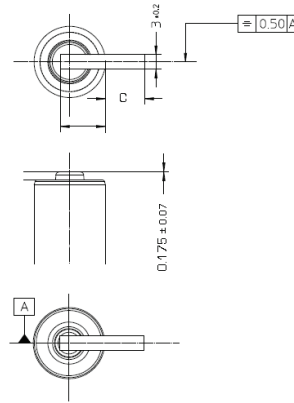
**SAFT**

# Soft Primary Lithium Cells

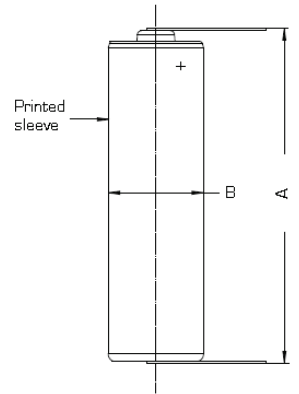
## CNR Finish

CNR Finished Cell Mechanical Interfaces				
Cell generic name	Cell made in	A	B	C
LS 14250	PRC, F, UK	25.2 +/- 0.8	14.5 +/- 0.3	9.7 +/- 0.5
LS 14500	PRC, F, UK	50.55 +/- 0.6	14.5 +/- 0.3	9.7 +/- 0.5
LS 17330	UK	33.6 + 1/- 0	16.1 +0.2/-0.1	9.0 +/- 0.5
LS 17500	F, UK	51.1 +/- 0.5	17.0 +/- 0.3	8.5 +/- 0.5

### CNR pin definition



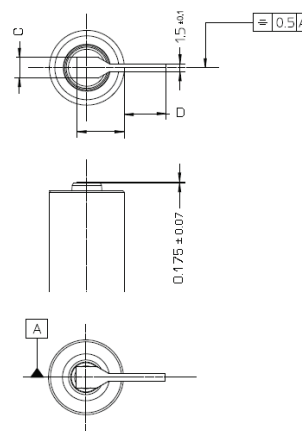
### Mechanical dimensions of CNR finished cells



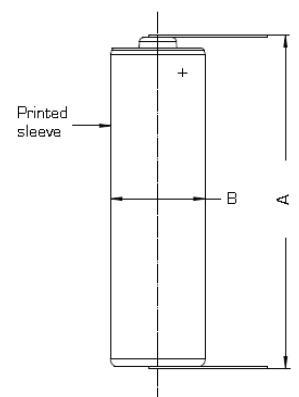
## CN Finish

CN Finished Cell Mechanical Interfaces				
Cell generic name	Cell made in	A	B	D
LS 14250	PRC, F, UK	25.2 +/- 0.8	14.5 +/- 0.3	8 +/- 0.5
LS 14500	PRC, F, UK	50.55 +/- 0.6	14.5 +/- 0.3	8 +/- 0.5
LS 17330	UK	33.6 + 1/- 0	16.1 +0.2/-0.1	TBD
LS 17500	F, UK	51.1 +/- 0.5	17.0 +/- 0.3	6.6 +/- 0.5

### CN pin definition



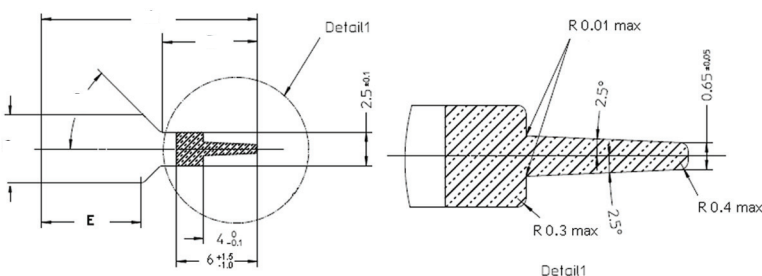
### Mechanical dimensions of CN finished cells



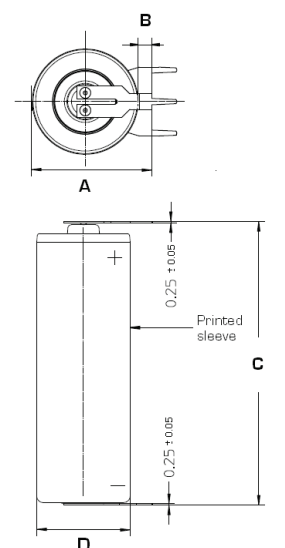
## PF Finish

PF Finished Cell Mechanical Interfaces					
Cell generic name	Cell made in	A	B	C	D
LS 14250	PRC, F, UK	15.1 +/- 0.6	(0.7 +/- 0.5)	25,65 +0,35/-0,65	14.5 +/- 0.3
LS 14500	PRC, F, UK	15.1 +/- 0.6	(0.7 +/- 0.5)	51,05 +0,75/-0,65	14.5 +/- 0.3
LS 17330	UK	15.9 +/- 0.6	(0.2 +/- 0.5)	33.6 + 1/- 0	16.1 + 0.2/- 0.1
LS 17500	F, UK	17.6 + 0.6/- 0.5	(0.7 +/- 0.5)	51,05 +0,75/-0,65	17.0 +/- 0.3

### PF single pin definition



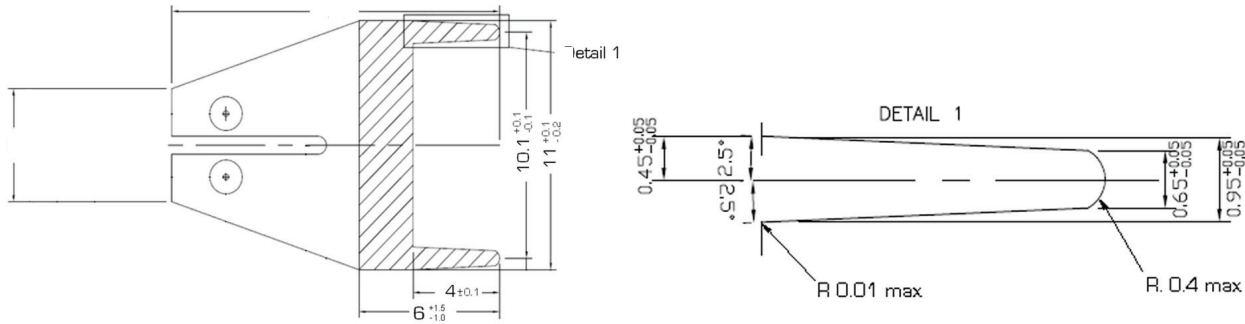
### Mechanical dimensions of PF finished cells



# Saft Primary Lithium Cells

## PF Finish (continued)

PF double pin definition



## FL Finish

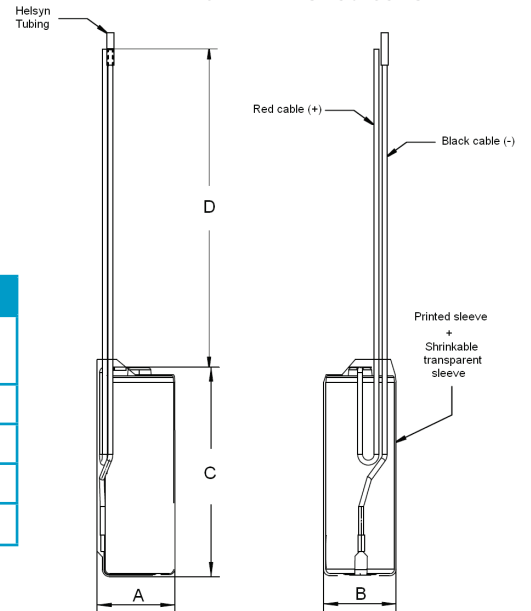
Cable Type for FL Finishes

Cell generic name	Cell made in	Positive and negative cables
LS 14250	PRC, F, UK	AWG24 KY 30-04
LS 14500	PRC, F, UK	AWG22 KY 30-05
LS 17330	UK	TBD
LS 17500	F, UK	TBD

FL Finished Cell Mechanical Interfaces

Cell generic name	Cell made in	A	B	C	D
LS 14250	PRC, F, UK	17.0 max	15.0 max	25.7 max	114 +/- 10
LS 14500	PRC, F, UK	17.0 max	15.0 max	50.7 max	90 +/- 10
LS 17330	UK	TBD	TBD	TBD	TBD
LS 17500	F, UK	20.0 max	17.4 max	54.0 max	80 +/- 5

Mechanical dimensions of FL finished cells



**Saft**  
 12, rue Sadi Carnot  
 93170 Bagnolet - France  
 Tel.: +33 05 57 10 64 00  
 Fax: +33 05 57 10 66 70  
 www.saftbatteries.com

Doc N° 54084-2-04-13  
 Edition: April 2013  
 Information in this document is subject to change without notice and becomes contractual only after written confirmation by Saft.  
 Published by the Communications Department  
 Photo credit: Saft