

DISPLAY Elektronik GmbH

DATA SHEET

LCD MODULE

**DEM 800480K2 TMH-PW-N
(C1-TOUCH)**

Product Specification

Version: 3

22.12.2020

GENERAL SPECIFICATION

MODULE NO. :

DEM 800480K2 TMH-PW-N
(C1-TOUCH)

CUSTOMER

VERSION NO.	CHANGE DESCRIPTION	DATE
0	ORIGINAL VERSION	03.06.2020
1	CHANGE THE DRAWINGS	19.06.2020
2	CHANGE THE DRAWINGS	16.10.2020
3	CHANGE THE DRAWINGS	22.12.2020

PREPARED BY: YK

DATE: 22.12.2020

APPROVED BY: MHO

DATE: 22.12.2020

CONTENTS

1. GENERAL SPECIFICATIONS 2

2. EXTERNAL DIMENSIONS 4

3. BLOCK DIAGRAM 6

4. PIN ASSIGNMENT 7

5. OPTICAL CHARACTERISTICS 10

6. ABSOLUTE MAXIMUM RATINGS 13

7. ELECTRICAL CHARACTERISTICS 13

8. TIMING CHARACTERISTICS 14

9. RELIABILITY TEST 16

10. LCD MODULES HANDLING PRECAUTIONS 17

11. OTHERS 17

1. GENERAL SPECIFICATIONS

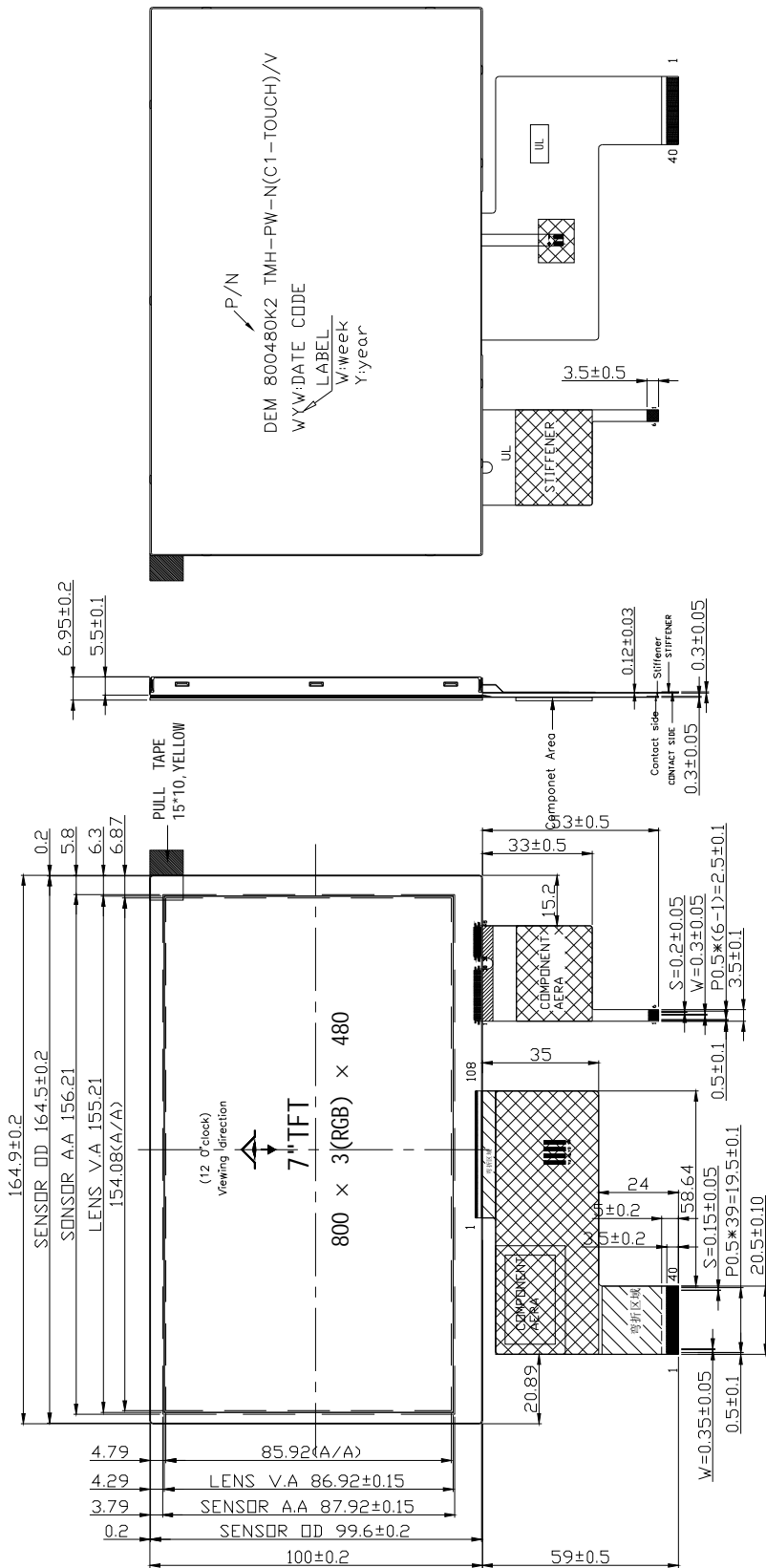
ITEM	STANDARD VALUE	UNIT
LCD TYPE	TFT/TN/ NORMALLY WHITE/TRANSMISSIVE	
MODULE SIZE	164.90 x 100.00 x 6.95	mm
ACTIVE AREA	154.08 x 85.92	mm
PIXEL PITCH	0.0642 x 0.1790	
NUMBER OF PIXELS	800 x 480	
DRIVER IC	HX8664B + HX8264E	
INTERFACE TYPE	LVDS	
RECOMMEND VIEWING DIRECTION	12	O'CLOCK
GRAY SCALE INVERSION DIRECTION	6	O'CLOCK
COLORS	16.7 MILLION	
BACKLIGHT TYPE	27-DIES WHITE LED	
TOUCH PANEL TYPE	CTP	

DEM 800480K2 TMH-PW-N(C1-TOUCH) Product Specification

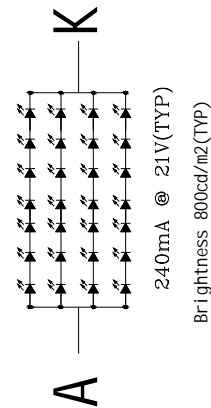
Touch Panel:

Item	Contents
Type	Capacitive Multi-touch
Module Size	164.90mm x 100.00mm x 1.45mm
View Area	155.21mm x 86.92mm
Driver IC	FT5426-003
Interface	I2C
Operation Voltage	2.6V~3.6V
ITO Glass Thickness	0.4mm
Operation Humidity	20~90%RH
Storage Humidity	20~90%RH
Resolution	800 x 480
Input Force	≤10g
Temperature Operation	-20°C to +70°C
Temperature Storage	-30°C to +80°C
Input Method	Finger or exclusive pen
Transparency	≥88%
Surface Hardness	>6H
Hitting Life	>35,000,000 Times
Insulation	20M ohm or over(Dc 25V)
ESD(Human Body Model)	2,000 V

2. EXTERNAL DIMENSIONS

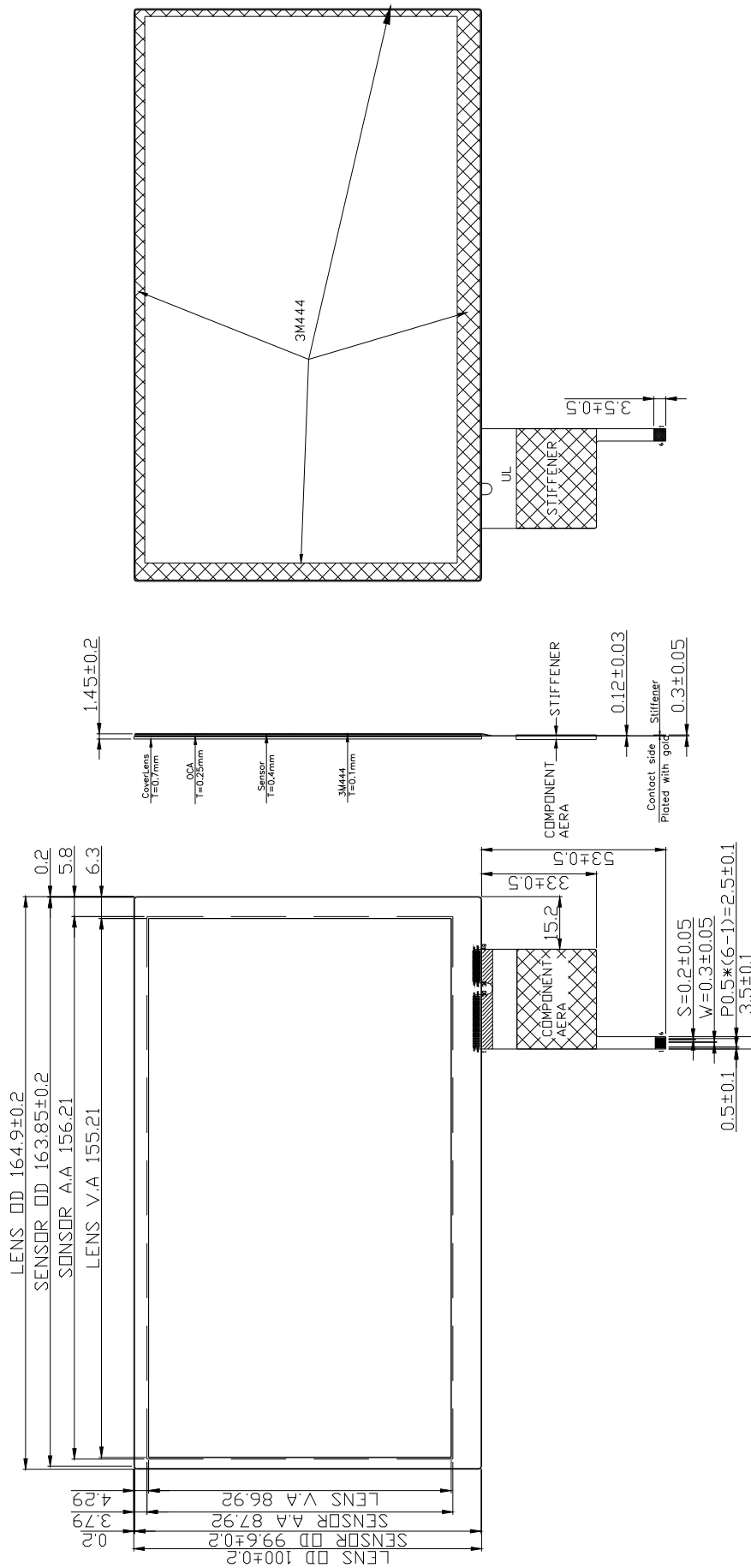


3. Circuit Diagram (LED 4*7=28 SMD) Color: WHITE



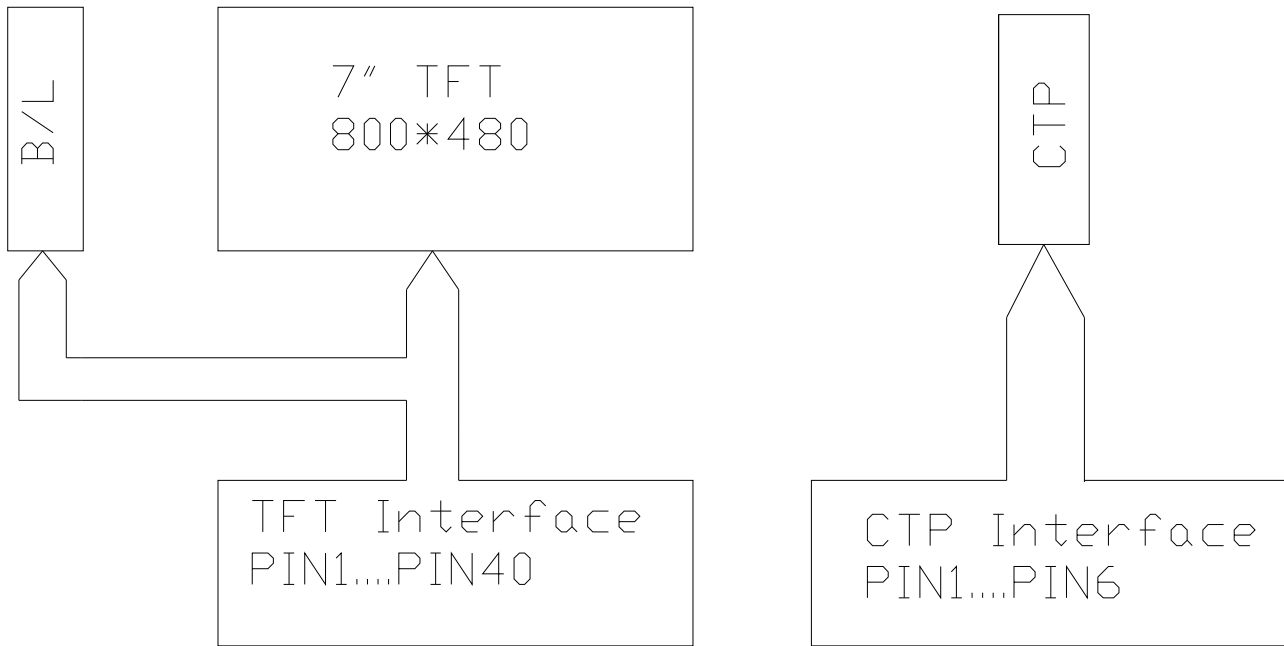
- Remark:
1. Unmarked tolerance is ± 0.3
 2. All materials comply with RoHS
 3. ...:critical dimension.

Touch Panel:



- Remarks:
1. Unmarked tolerance is ±0.3,
Unmarked radius is R0.5;
 2. All materials comply with RoHS;
 3. ...:critical dimension.

3. BLOCK DIAGRAM



4. PIN ASSIGNMENT

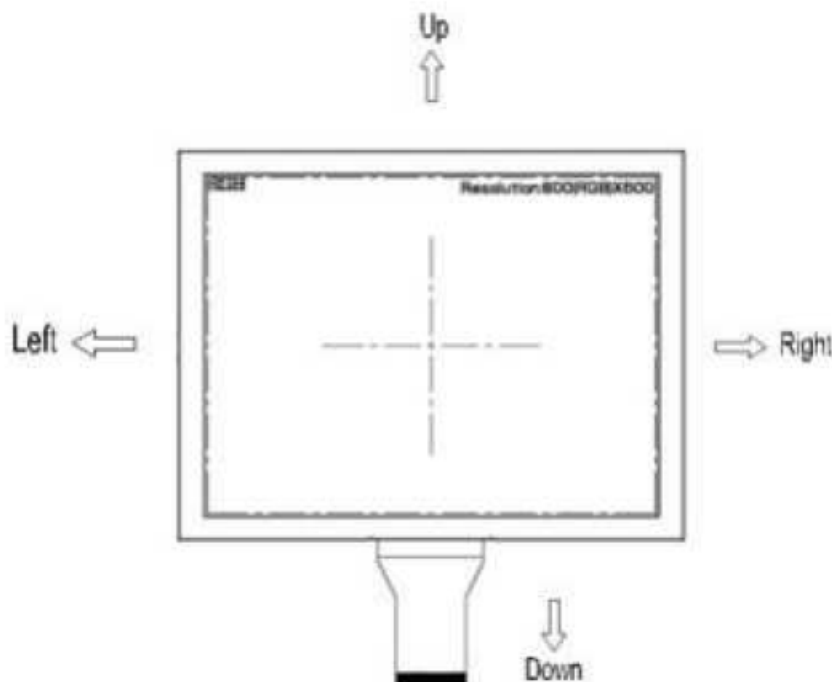
PIN NO.	SYMBOL	DESCRIPTION
1	NC	Not connection
2	VDD	Power supply
3	VDD	Power supply
4	NC	Not connection
5	RESET	Reset pin
6	STBYB	Standby mode, normally pulled high. STBYB = "1", normal operation STBYB = "0", timing controller, source driver will turn off, all output are High-Z
7	GND	Power ground
8	RXIN0-	Data lane0 input
9	RXIN0+	Data lane0 input
10	GND	Power ground
11	RXIN1-	Data lane1 input
12	RXIN1+	Data lane1 input
13	GND	Power ground
14	RXIN2-	Data lane2 input
15	RXIN2+	Data lane2 input
16	GND	Power ground
17	RXCLKIN-	CLK input
18	RXCLKIN+	CLK input
19	GND	Power ground
20	RXIN3-	Data lane3 input
21	RXIN3+	Data lane3 input
22	GND	Power ground
23	NC	Not connection
24	NC	Not connection
25	GND	Power ground
26	NC	Not connection
27	NC	Not connection
28	NC	Not connection
29	NC	Not connection
30	GND	Power ground
31	LED-	LED Cathode

32	LED-	LED Cathode
33	L/R	Source Right or Left sequence control. Normally pull high. L/R = "L", shift left: last data = S1←S2←S3.....←S1200 = first data. L/R = "H", shift right: first data = S1→S2→S3.....→S1200 = last data
34	U/D	Gate Up or Down scan control. Normally pull low. UPDN = "L", STV2 output vertical start pulse and UD pin output logical "0" to Gate driver.(Default) UPDN = "H", STV1 output vertical start pulse and UD pin output logical "1" to Gate driver.
35	NC	Not connection
36	NC	Not connection
37	NC	Not connection
38	NC	Not connection
39	LED+	LED Anode
40	LED+	LED Anode

SELECTION OF SCANNING MODE

SETTING OF SCAN CONTROL INPUT		SCANNING DIRECTION
U/D	L/R	
GND	DVDD	UP TO DOWN, RIGHT TO LEFT
DVDD	GND	DOWN TO UP, LEFT TO RIGHT
GND	GND	UP TO DOWN, LEFT TO RIGHT
DVDD	DVDD	DOWN TO UP, RIGHT TO LEFT

DEFINITION OF SCANNING DIRECTION REFER TO THE FIGURE AS BELOW:



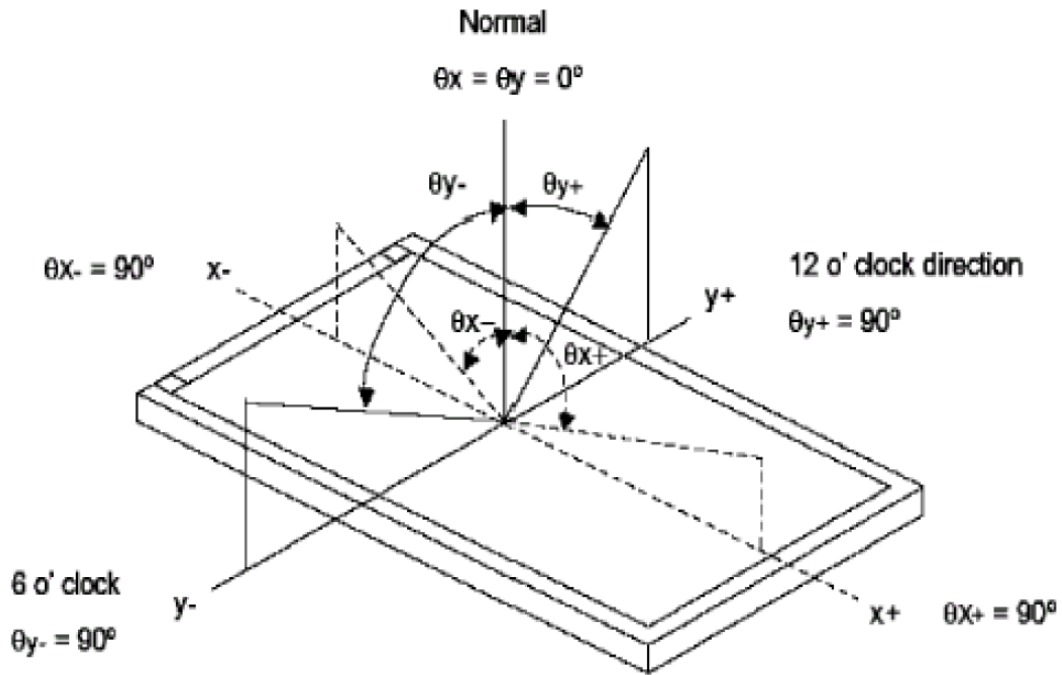
Touch Panel:

Pin No.	Symbol	Description
1	VCC	Positive power supply(3.3V)
2	GND	Negative supply
3	I2C_SCL	I2C Serial clock input/output
4	I2C_SDA	I2C Serial data input/output
5	INT	External Interrupt
6	RST	External Reset, Low is active

5. OPTICAL CHARACTERISTICS

ITEM	SYMBOL	CONDITIONS	SPECIFICATIONS			UNIT	NOTE
			MIN	TYP.	MAX		
Luminance	L		640	800	-	Cd/m ²	
Contrast Ratio	CR	$\theta = 0^\circ$	400	500			
Response Time	Rising	T _R	25°C	10	20	ms	
	Falling	T _F		15	30		
CIE COLOUR COORDINATE	RED	XR	VIEWING NORMAL ANGLE				
		YR					
	GREEN	XG					
		YG					
	BLUE	XB					
		YB					
	WHITE	XW		0.278	0.308	0.338	
		YW		0.297	0.327	0.357	
VIEWING ANGLE	Hor.	θ_{x+}	CR ≥ 10	60	70	Degree	
		θ_{x-}		60	70		
	Ver.	θ_{y+}		40	50		
		θ_{y-}		60	70		

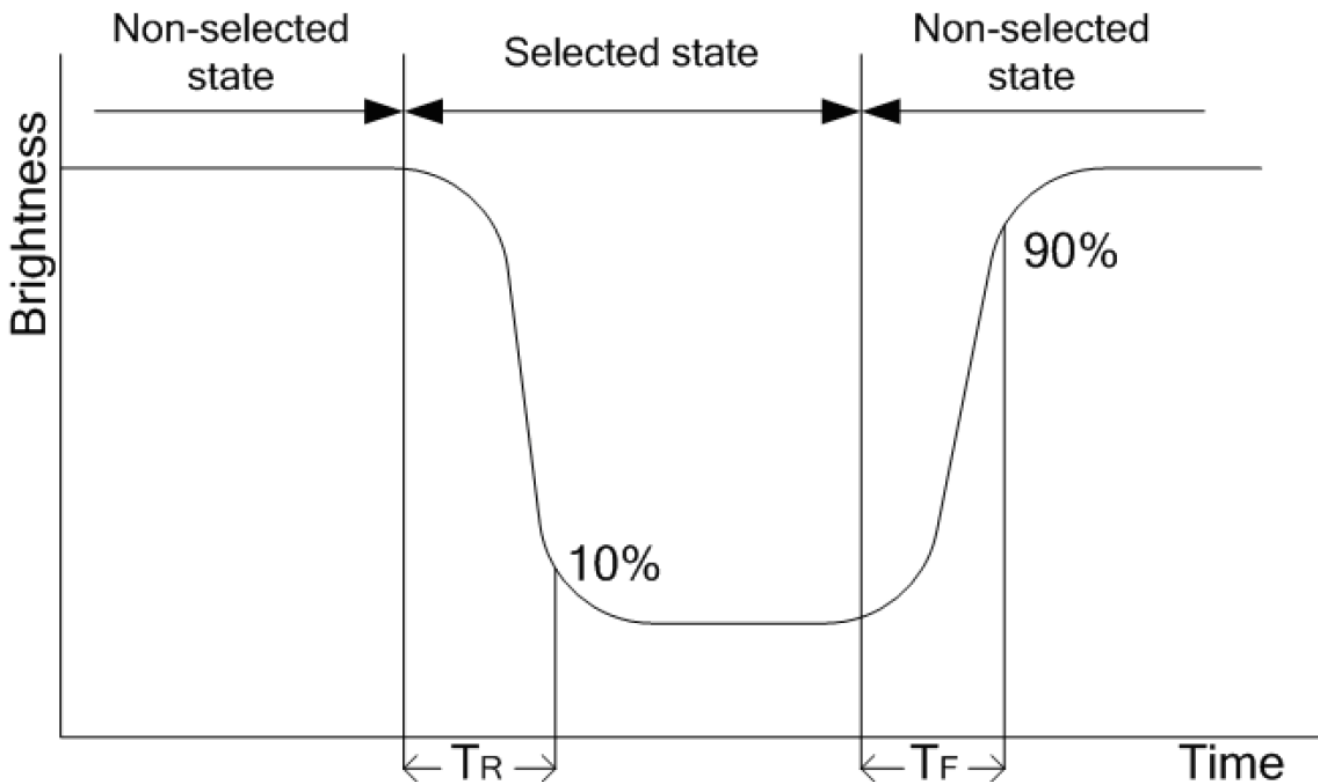
Note 1 : Definition of Viewing Angle θ_x and θ_y :



Note 2: Definition of contrast ratio CR:

$$CR = \frac{\text{Brightness of non-selected dots (white)}}{\text{Brightness of selected dots (black)}}$$

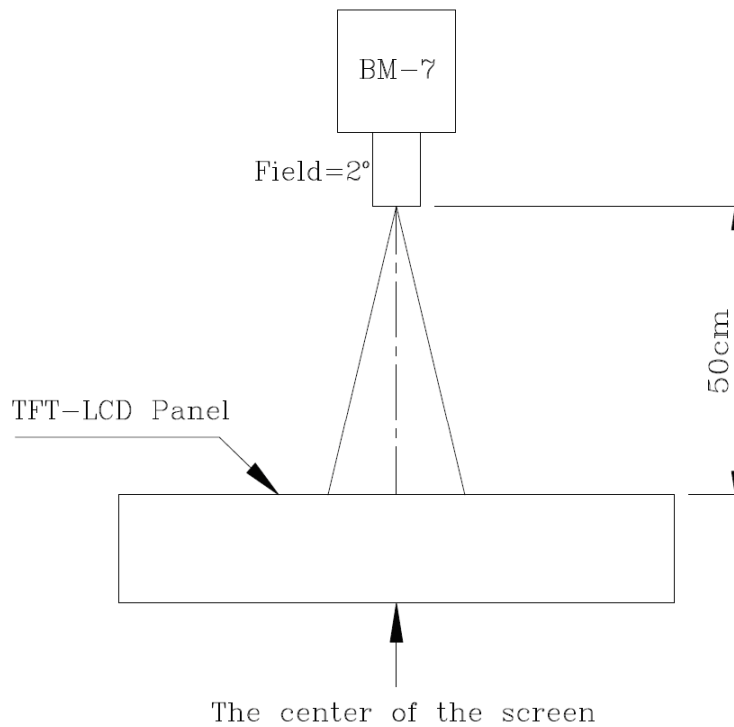
Note 3: Definition of response time (T_R , T_F)



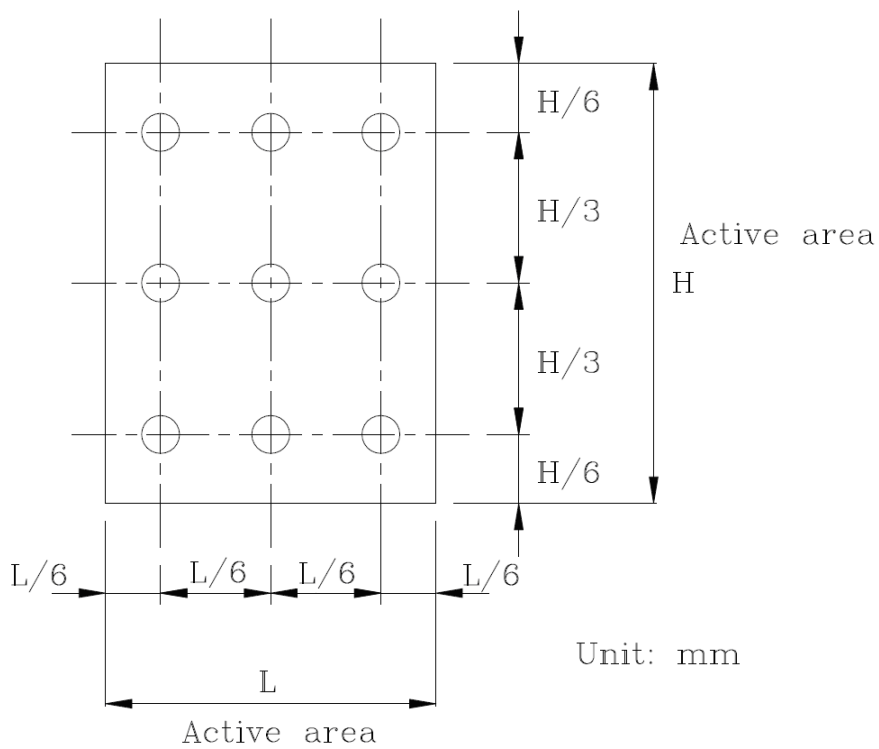
Note 4: Definition of Luminance

①The Brightness Test Equipment Setup

Field=2° (As measuring “black” image, field=2° is the best testing condition)



②The Brightness Test Point Setup



6. ABSOLUTE MAXIMUM RATINGS

PARAMETER	SYMBOL	MIN	MAX	UNIT
Power Supply Voltage	VDD	-0.3	5.0	V
Operating Temperature	Top	-20	+70	°C
Storage Temperature	Tst	-30	+80	°C

7. ELECTRICAL CHARACTERISTICS**7.1 BLACKLIGHT DRIVING CONDITIONS**

ITEM	SYMBOL	SPECIFICATIONS			UNIT	REMARK
		MIN	TYP.	MAX		
Supply Voltage	Vf		21		V	
Supply Current	IL		240		mA	
Power Consumption	P		5.04		W	
LED lifetime			50,000		H _r	

7.2 ELECTRICAL CHARACTERISTICS

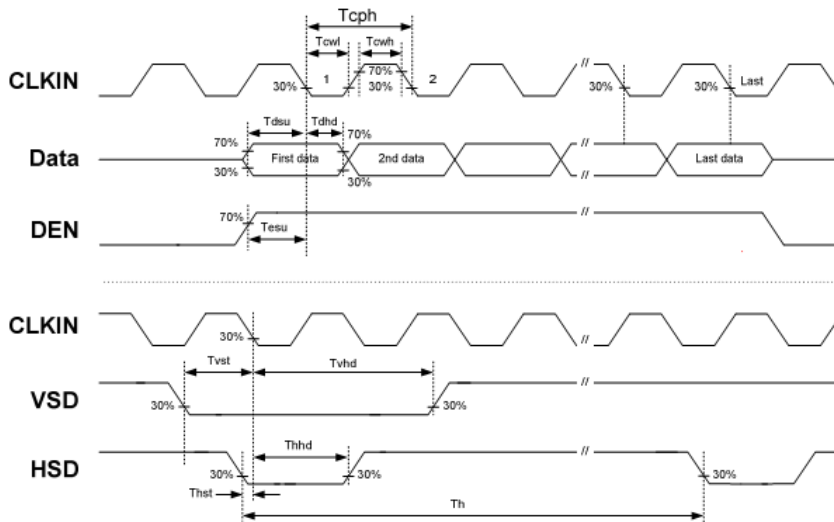
ITEM	SYMBOL	MIN	TYP.	MAX	UNIT
Power Supply	VDD	3.0	3.3	3.6	V
Input Voltage	Vil	GND	-	0.3VDD	V
	Vih	0.7VDD	-	VDD	V

8. TIMING CHARACTERISTICS

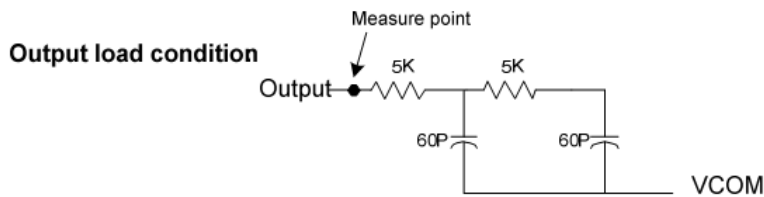
8.1 PARALLEL RGB MODE TIMING DIAGRAM

Timing Diagram

Input Clock and Data Timing Diagram

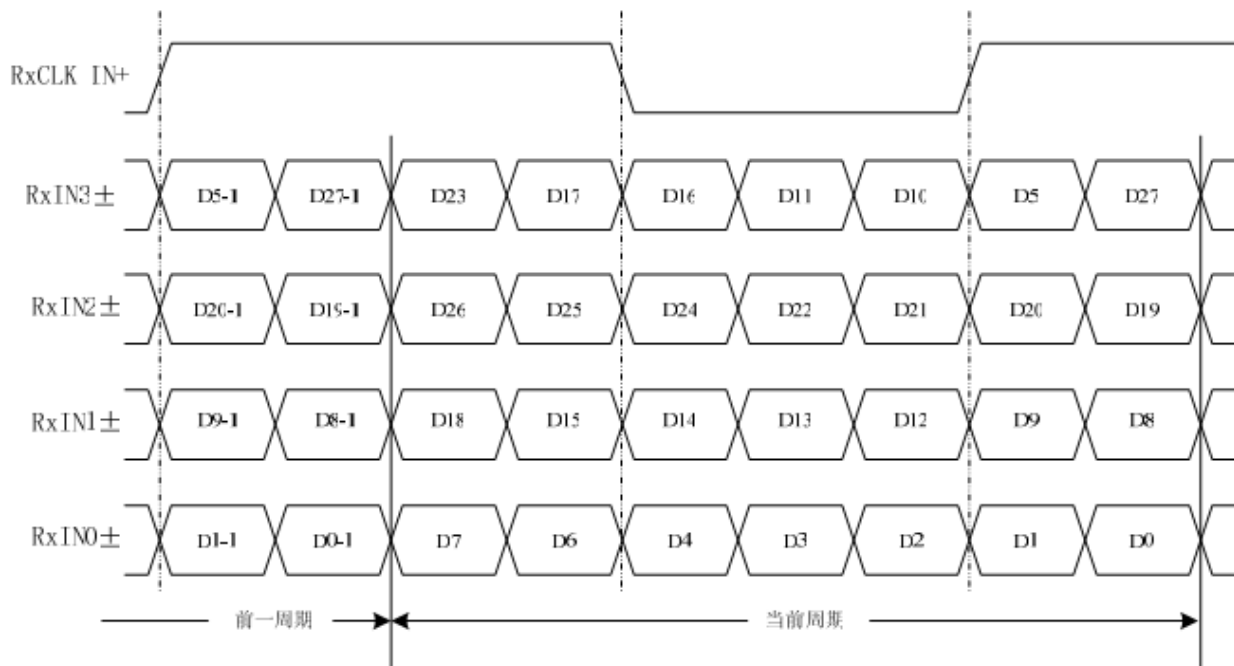


Source Output



Parameter	Symbol	Min.	Typ.	Max.	Unit	Conditions
CLKIN Frequency	Fclk	-	33.3	50	MHz	VDD = 3.0V ~3.6V
CLKIN Cycle Time	Tclk	20	30	-	ns	
CLKIN Pulse Duty	Tcwh	40	50	60	%	Tclk=Tcwh+cwl
	Tcwl	40	50	60	%	
VSD to STV	Tstv	-	24	-	H	HV mode
DEN to STV	Tstv	-	4	-	CLKIN	DE mode
STV pulse width	Twstv	-	0.5	-	H	
STV to CKV	Tckv	-	18	-	CLKIN	
STV to OEV	Toev	-	2	-	CLKIN	
CKV Pulse Width	Twckv	-	66	-	CLKIN	
OEV Pulse Width	Twoev	-	50	-	CLKIN	

8.2 LVDS Characteristics



9. RELIABILITY TEST

NO.	TEST ITEM	CONDITIONS	
1	HIGH TEMPERATURE STORAGE	TA=80°C	240Hr
2	LOW TEMPERATURE STORAGE	TA=-30°C	240Hr
3	HIGH TEMPERATURE OPERATION	TA=70°C	240Hr
4	LOW TEMPERATURE OPERATION	TA=-20°C	240Hr
5	HIGH TEMPERATURE AND HIGH HUMIDITY OPERATION	+60°C, 90%RH	240Hr
6	THERMAL SHOCK	-30°C → +80°C, 0.5Hr; 100CYCLES; 1H/ CYCLES	

10. LCD MODULES HANDLING PRECAUTIONS

- n** The display panel is made of glass. Do not subject it to a mechanical shock by dropping it from a high place, etc.
- n** If the display panel is damaged and the liquid crystal substance inside it leaks out, do not get any in your mouth. If the substance come into contact with your skin or clothes promptly wash it off using soap and water.
- n** Do not apply excessive force to the display surface or the adjoining areas since this may cause the color tone to vary.
- n** The polarizer covering the display surface of the LCD module is soft and easily scratched. Handle this polarize carefully.
- n** To prevent destruction of the elements by static electricity, be careful to maintain an optimum work environment.
 - Be sure to ground the body when handling the LCD module.
 - Tools required for assembly, such as soldering irons, must be properly grounded.
 - To reduce the amount of static electricity generated, do not conduct assembly and other work under dry conditions.
 - The LCD module is coated with a film to protect the display surface. Exercise care when peeling off this protective film since static electricity may be generated.
- n** Storage precautions
When storing the LCD modules, avoid exposure to direct sunlight or to the light of fluorescent lamps. Keep the modules in bags designed to prevent static electricity charging under low temperature / normal humidity conditions (avoid high temperature / high humidity and low temperatures below 0°C).Whenever possible, the LCD modules should be stored in the same conditions in which they were shipped from our company.

11. OTHERS

- n** Liquid crystals solidify at low temperature (below the storage temperature range) leading to defective orientation of liquid crystal or the generation of air bubbles (black or white). Air bubbles may also be generated if the module is subjected to a strong shock at a low temperature.
- n** If the LCD modules have been operating for a long time showing the same display patterns may remain on the screen as ghost images and a slight contrast irregularity may also appear. Abnormal operating status can be resumed to be normal condition by suspending use for some time. It should be noted that this phenomena does not adversely affect performance reliability.
- n** To minimize the performance degradation of the LCD modules resulting from caused by static electricity, etc. exercise care to avoid holding the following sections when handling the modules:
 - Exposed area of the printed circuit board
 - Terminal electrode sections.