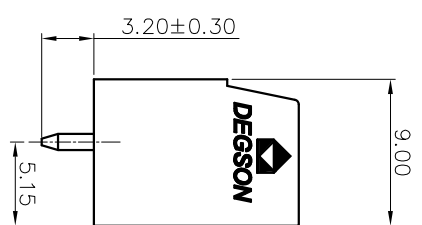
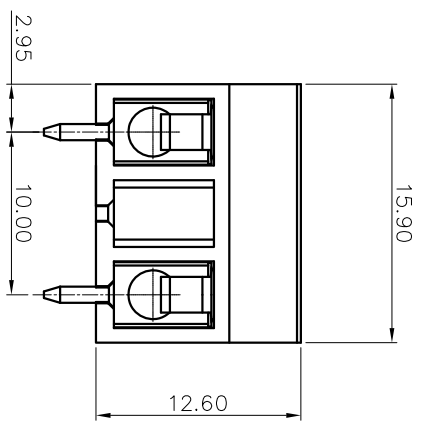
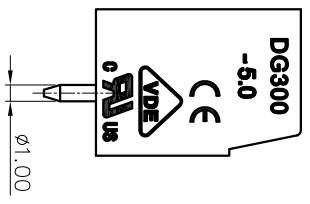
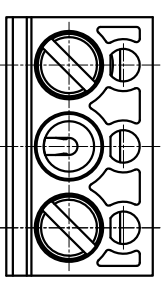


REVISION RECORD			
REV	ECN	DESCRIPTION	DRFT DATE

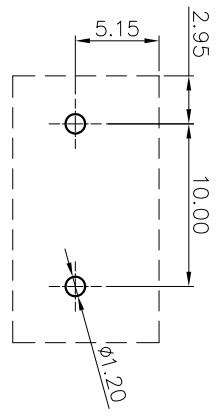
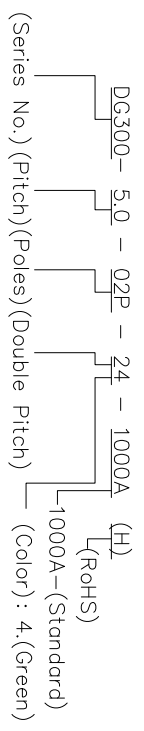


- NOTES1:  
UL Standard  
1. Rated voltage/current : 300V / 10A  
2. Torque value : M3 , 4.43Lb.in  
3. Wire range : 22~14AWG
- IEC Standard  
1. Rated voltage/current : 250V / 24A  
2. Torque value : M3 , 0.5N.m  
3. Wire range : 1.0~2.5mm<sup>2</sup>

- NOTES2:  
1. Dimension shall be interpreted per ASME Y14.5-2009  
2. Pitch : 10.0mm, Poles : 02P  
3. Stripping length : 5~6mm  
4. Withstanding voltage : AC2000V/1min  
5. Operating temperature : -40°C~+105°C  
6. Undimensioned tolerances:

Pitch range in mm	Nominal dimension range		mm	mm	mm	mm	mm	mm
	Over	Over						
6 TO 10	0.15	±0.20	±0.30	±0.30	±0.50	±0.70	±1.00	±1.30
10 TO 24	0.15	±0.30	±0.30	±0.50	±0.70	±1.00	±1.30	±2.0

7. RoHS Compliance



DETACHED LISTS			
PART NO.:	/	NAME:	<b>DEGSON</b> NINGBO DEGSON ELECTRICAL CO., LTD 宁波高松电子有限公司
APPD.:	/	CHKD.:	DG300-5.0-02P-24-1000A(H)
DRFT.:	/	TITLE:	CUSTOMER DRAWING
THIRD ANGLE PROJECTION		DRAWING NO.:	/
		DO NOT SCALE DRAWING	SCALE
		SCALE	1:1