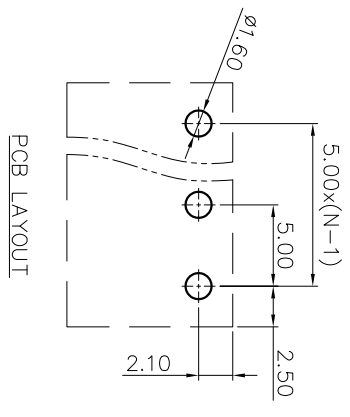
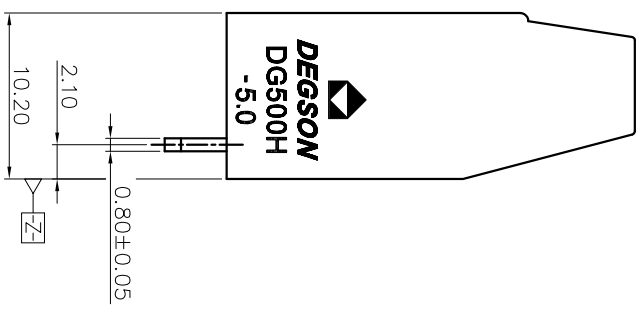
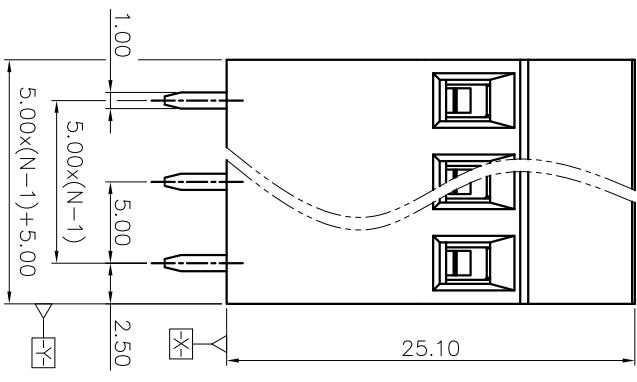
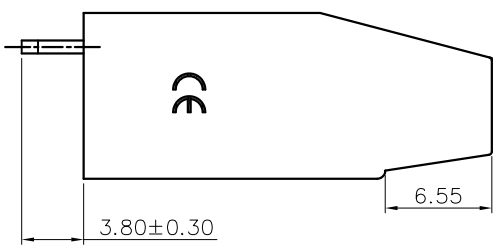
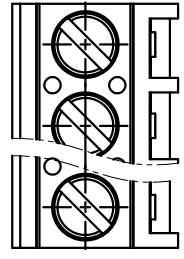


REVISION RECORD			
REV	ECN	DESCRIPTION	DATE



NOTES1:

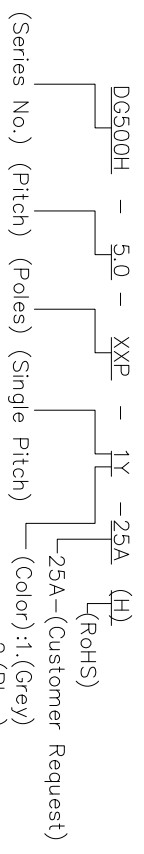
- UL Standard
- 1. Rated voltage/current : 300V / 17.5A
- 2. Torque value : M3 , 4.43Lb.in
- 3. Wire range : 28~12AWG
- IEC Standard
- 1. Rated voltage/current : 250V / 24A
- 2. Torque value : M3 , 0.5N.m
- 3. Wire range : 1.0~2.5mm<sup>2</sup>

NOTES2:

- 1. Dimension shall be interpreted per ASME Y14.5-2009
- 2. Pitch : 5.00mm, Poles : N=02~12P
- 3. Stripping length : 6~7mm
- 4. Withstanding voltage : AC2000V/1Min
- 5. Operating temperature: -40°C~+105°C
- 6. Undimensioned tolerances:

Pitch range in mm		Nominal dimension range in mm		Over		Over		Over		Over	
TO	6	TO	30	TO	60	TO	100	TO	150	TO	0.1/1.0
Over	10	Over	10	Over	10	Over	10	Over	150	Over	<
TO	10	TO	24	TO	60	TO	100	TO	150	TO	±2°
Over	10	Over	30	Over	50	Over	70	Over	100	Over	±1.00
TO	10	TO	30	TO	50	TO	70	TO	100	TO	±1.30
Over	10	Over	30	Over	50	Over	70	Over	100	Over	±2°

7. RoHS Compliance



- 2.(Blue)
- 3.(Black)
- 4.(Green)
- 5.(Orange)
- 6.(Red)
- 7.(Transparent)
- 8.(Yellow)
- 9.(White)

DETACHED LISTS			
PART NO.:	/	NAME:	<b>DEGSON</b> ® NINGBO DEGSON ELECTRICAL CO., LTD 宁波高松电子有限公司
APPD:	/	TITLE:	DG500H-5.0-XXP-1Y-25A(H)
CHKD:	/	DRAWING NO.:	CUSTOMER DRAWING
DFT:	/	REV:	DO
THIRD ANGLE PROJECTION		SCALE:	1:1