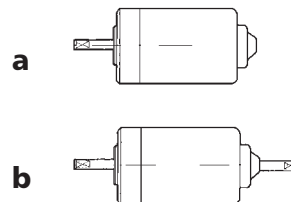
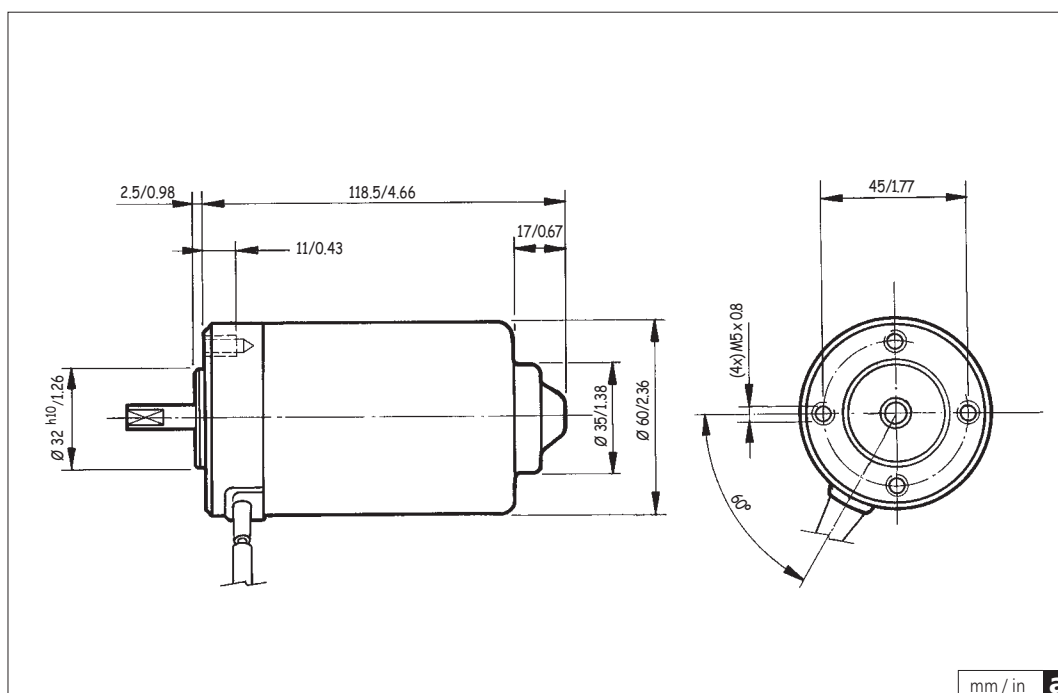
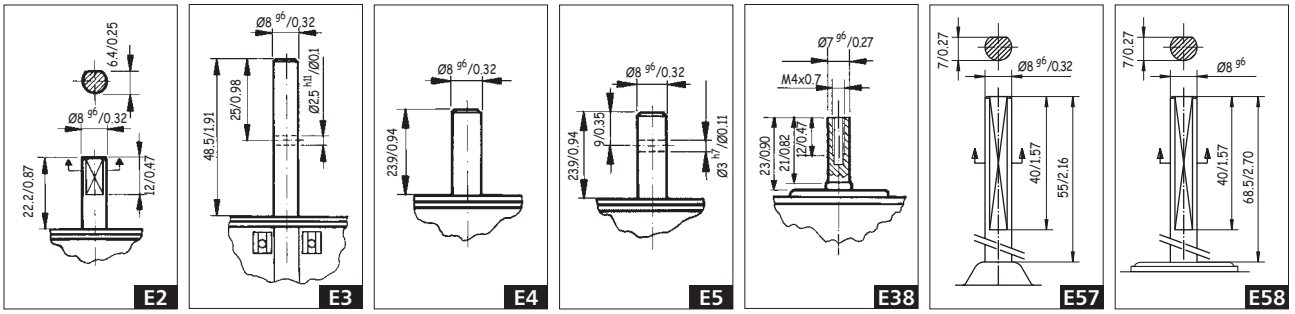


motor



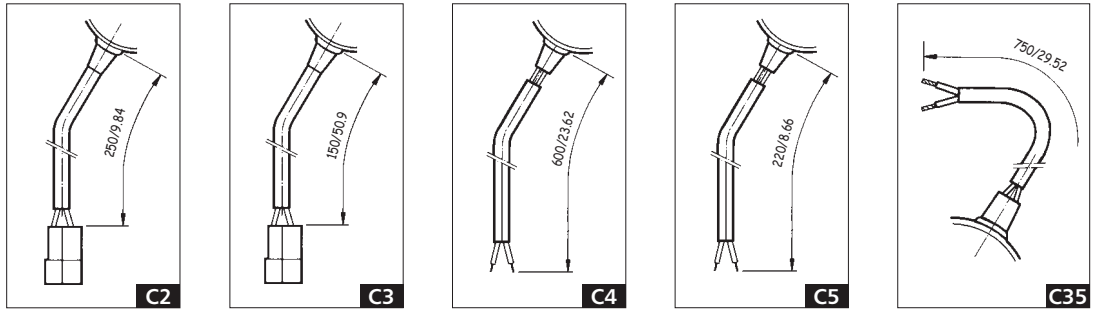
Reference number Referencia	Nominal voltage Tensión nominal	Nominal torque Par nominal	Nominal speed Velocidad nominal	Nominal current Corriente nominal	Starting torque Par de arranque	Starting current Corriente de Arranque	Shaft Eje	Connections Conexiones	Wiring diag. Esq. elect.	Approximate weight Peso aproximado	Watertightness Grado de estanqueidad	Design: a,b Diseño: a,b	Curve Curva
	<b>Un (V)</b>	<b>Mn (N.m./Lbf.in)</b>	<b>nn (r.p.m.)</b>	<b>In (A)</b>	<b>Ma (N.m./Lbf.in)</b>	<b>Ia (A)</b>				<b>P (kg / Lb.t)</b>	<b>IP</b>		
162.4101.20.00	12	0.18 / 1.59	2800	7.5	1.0 / 8.85	33	E2	C2	EE2	1.1 / 2.95	IP53	a	32
162.4101.30.00	24	0.20 / 1.77	3000	4	1.0 / 8.85	18	E2	C2	EE2	1.1 / 2.95	IP53	a	33
162.4102.20.00	12	0.20 / 1.77	2000	6	1.0 / 8.85	24	E2	C3	EE2	1.1 / 2.95	IP53	a	34
162.4102.30.00	24	0.20 / 1.77	2000	3	1.0 / 8.85	12	E2	C3	EE2	1.1 / 2.95	IP53	a	34
162.4106.20.00	12	0.18 / 1.59	2800	7.5	1.0 / 8.85	33	E4	C2	EE2	1.1 / 2.95	IP53	a	32
162.4106.30.00	24	0.20 / 1.77	3000	4	1.0 / 8.85	18	E4	C2	EE2	1.1 / 2.95	IP53	a	33
162.4107.30.00E	24	0.20 / 1.77	2000	3	1.0 / 8.85	12	E5	C5	F3	1.1 / 2.95	IP53	a	34
162.4108.30.00	24	0.18 / 1.59	1500	2.5	0.8 / 7.08	8.5	E2	C3	EE2	1.1 / 2.95	IP53	a	35
162.4109.30.00	24	0.18 / 1.59	1500	2.5	0.8 / 7.08	8.5	E38	C35	EE3	1.1 / 2.95	IP53	a	35
162.4109.50.00	48	0.18 / 1.59	1500	1,3	0.8 / 7.08	4,5	E38	C35	EE3	1.1 / 2.95	IP53	a	35
162.4113.30.00	24	0.12 / 1.06	3000	2.5	1.0 / 8.85	15	E3	C4	F3	1.1 / 2.95	IP40	a	36
162.4116.30.00	24	0.20 / 1.77	3000	4	1.0 / 8.85	18	E58/E57	C2	EE2	1.1 / 2.95	IP40	b	33





111

CONNECTION - CONEXIÓN

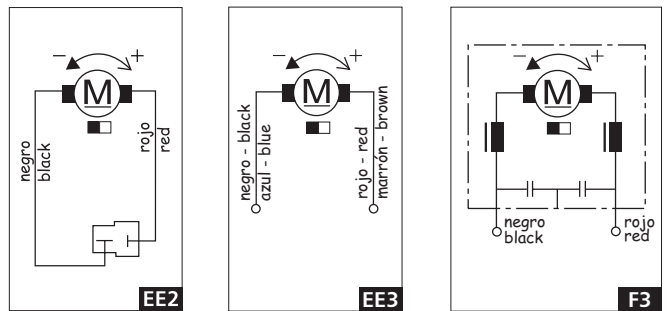


119

210

258

WIRING DIAGRAM - ESQUEMA ELÉCTRICO

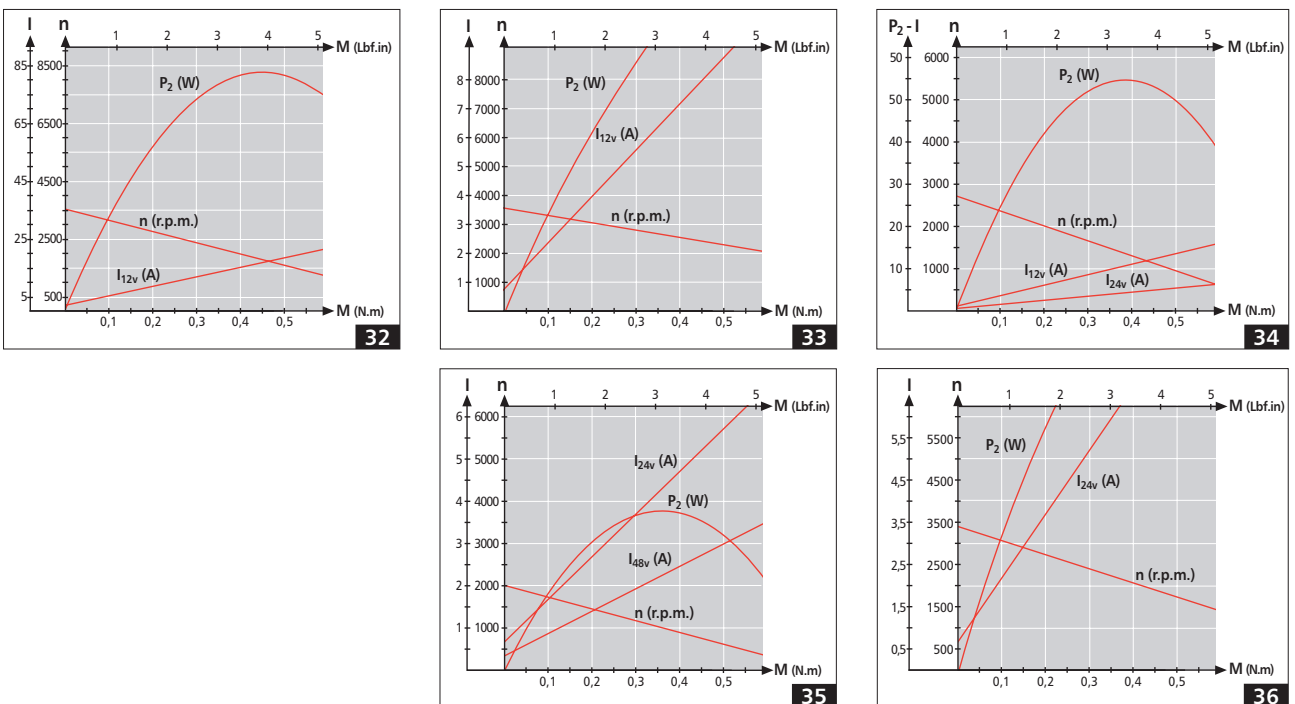


259

316

319

CURVES - CURVAS



162

168

169

260

269