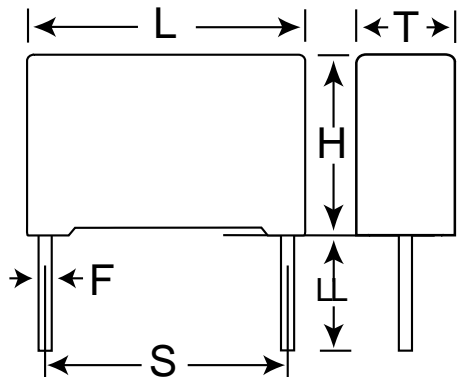


KEMET Part Number: R75MR4220AA40K
(75MR4220AA40K)

Capacitor, film, 2.2 uF, +/-10% Tol, -55/+105C, Pulse, 400V@85C, Lead Spacing=27.5 mm



| Dimensions (mm) | | |
|-----------------|-----------|-----------|
| Symbol | Dimension | Tolerance |
| L | 32 | +0.3 |
| H | 25 | +0.1 |
| T | 13 | +0.2 |
| S | 27.5 | +/-0.4 |
| LL | 4 | +2 |
| F | 0.8 | +/-0.05 |

Notes:

-L,H,T are nominal dimensions and do not imply a minimum.

General Information

| | |
|---------------------------|--|
| Supplier: | KEMET |
| Miscellaneous Electrical: | Not for new design. Use F461FI225K400C (series F461) |

Specifications

| | |
|-----------------------------|--------------------------|
| Capacitance: | 2.2 uF |
| Rated Temperature: | 85C |
| Voltage @ rated temp: | 400V |
| Voltage AC: | 220VAC |
| Tolerance: | +/-10% |
| Body Type: | Radial Box |
| Dielectric: | Metallized Polypropylene |
| Application: | Pulse |
| Temperature Range: | -55/+105C |
| Dissipation Factor @ 1 kHz: | 0.06% |
| Insulation Resistance: | 13.64 GOhm |
| Inductance: | 18 nH |
| Maximum dVdT: | 130v/us |
| Maximum K0: | 104000V ² /us |

Packaging Specifications

| | |
|-------------------|------|
| Package Kind: | Bulk |
| Package Type: | Bag |
| Package Quantity: | 480 |