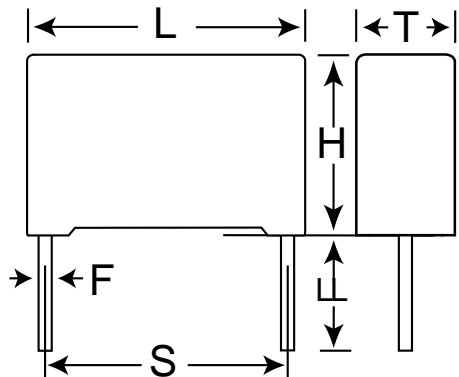


**KEMET Part Number: R75PW4470AA30K**  
(75PW4470AA30K)

Capacitor, film, 4.7 uF, +/-10% Tol, -55/+105C, Pulse, 630V@85C, Lead Spacing=37.5 mm



Dimensions (mm)		
Symbol	Dimension	Tolerance
L	41.5	+0.3
H	40	+0.1
T	20	+0.3
S	37.5	+/-0.4
LL	4	+2
F	1	+/-0.05

**Notes:**

-L,H,T are nominal dimensions and do not imply a minimum.

**General Information**

<b>Supplier:</b>	KEMET
<b>Miscellaneous Electrical:</b>	Not for new design. Use F461RP475K630C (series F461)

**Specifications**

<b>Capacitance:</b>	4.7 uF
<b>Rated Temperature:</b>	85C
<b>Voltage @ rated temp:</b>	630V
<b>Voltage AC:</b>	250VAC
<b>Tolerance:</b>	+/-10%
<b>Body Type:</b>	Radial Box
<b>Dielectric:</b>	Metallized Polypropylene
<b>Application:</b>	Pulse
<b>Temperature Range:</b>	-55/+105C
<b>Dissipation Factor @ 1 kHz:</b>	0.06%
<b>Insulation Resistance:</b>	6.38 GOhm
<b>Inductance:</b>	20 nH
<b>Maximum dVdT:</b>	90v/us
<b>Maximum K0:</b>	113000V^2/us

**Packaging Specifications**

<b>Package Kind:</b>	Bulk
<b>Package Type:</b>	Bag
<b>Package Quantity:</b>	126