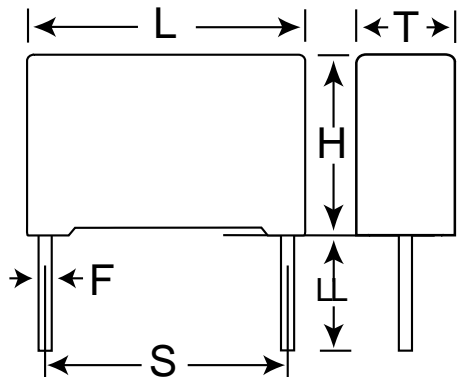


**KEMET Part Number: R82EC2220DQ50K**  
(82EC2220DQ50K)

Capacitor, film, 0.022 uF, +/-10% Tol, -55/+105C, General Purpose, 100V@85C, Lead Spacing=5 mm



Dimensions (mm)		
Symbol	Dimension	Tolerance
L	7.2	+0.2
H	6.5	+0.1
T	2.5	+0.1
S	5	+/-0.4
LL	18.5	+/-0.5
F	0.5	+/-0.05

Notes:

-L,H,T are nominal dimensions and do not imply a minimum.

**General Information**

<b>Supplier:</b>	KEMET
<b>Brand:</b>	Arcotronics
<b>Miscellaneous Electrical:</b>	Not for new design. Use F612JF223K100R (series F612)

**Specifications**

<b>Capacitance:</b>	0.022 uF
<b>Rated Temperature:</b>	85C
<b>Voltage @ rated temp:</b>	100V
<b>Voltage AC:</b>	63VAC
<b>Tolerance:</b>	+/-10%
<b>Body Type:</b>	Radial Box
<b>Dielectric:</b>	Metallized Polyester (Stacked)
<b>Application:</b>	General Purpose
<b>Temperature Range:</b>	-55/+105C
<b>Dissipation Factor @ 1 kHz:</b>	0.8%
<b>Dissipation Factor @ 10 kHz:</b>	1.2%
<b>Dissipation Factor @ 100kHz:</b>	2.5%
<b>Insulation Resistance:</b>	15 GOhm
<b>Inductance:</b>	7 nH
<b>Maximum dVdT:</b>	200v/us
<b>Maximum K0:</b>	40000V <sup>2</sup> /us

**Packaging Specifications**

<b>Package Kind:</b>	Ammo
<b>Package Size:</b>	360x340x59mm
<b>Package Type:</b>	Box
<b>Package Quantity:</b>	3500