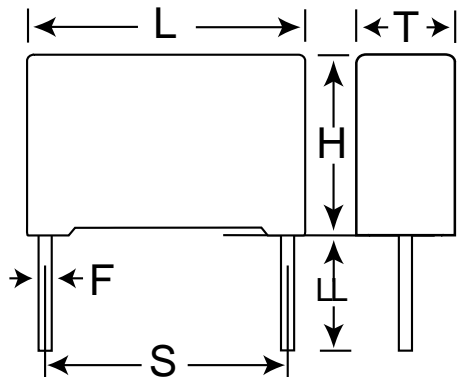


**KEMET Part Number: R82DC3150AA60K**  
(82DC3150AA60K)

Capacitor, film, 0.15 uF, +/-10% Tol, -55/+105C, General Purpose, 63V@85C, Lead Spacing=5 mm



Dimensions (mm)		
Symbol	Dimension	Tolerance
L	7.2	+0.2
H	6.5	+0.1
T	2.5	+0.1
S	5	+/-0.4
LL	4	+2
F	0.5	+/-0.05

**Notes:**

-L,H,T are nominal dimensions and do not imply a minimum.

General Information	
Supplier:	KEMET
Brand:	Arcotronics
Miscellaneous Electrical:	Not for new design. Use F612JF154K063C (series F612)

Specifications	
Capacitance:	0.15 uF
Rated Temperature:	85C
Voltage @ rated temp:	63V
Voltage AC:	40VAC
Tolerance:	+/-10%
Body Type:	Radial Box
Dielectric:	Metallized Polyester (Stacked)
Application:	General Purpose
Temperature Range:	-55/+105C
Dissipation Factor @ 1 kHz:	0.8%
Dissipation Factor @ 10 kHz:	1.2%
Insulation Resistance:	15 GOhm
Inductance:	7 nH
Maximum dVdT:	160v/us
Maximum K0:	20000V^2/us

Packaging Specifications	
Package Kind:	Bulk
Package Type:	Bag
Package Quantity:	3000