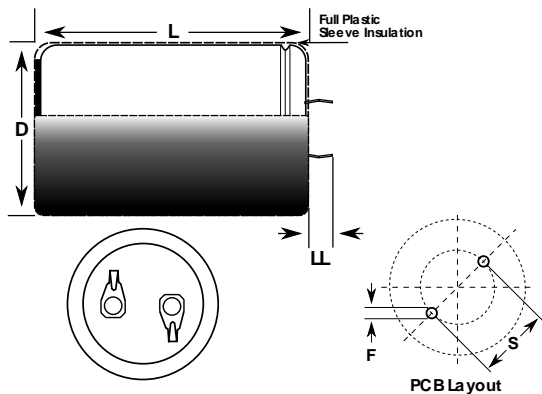


Capacitor, aluminum, 0.01 F, +/-20% Tol, -40/+85C, 50V@85C



Dimensions (mm)		
Symbol	Dimension	Tolerance
D	30	+/-1
L	45	+/-2
S	10	+/-0.5
LL	5.8	+/-1
F	2	+/-0.1

Packaging Specifications	
Package Kind:	Bulk
Package Quantity:	200

General Information	
Supplier:	KEMET
Part Type Description:	Snap-In Aluminum Electrolytic
Style:	Snap-in
Lead Type:	2 Pin

Specifications	
Capacitance:	0.01 F
Tolerance:	+/-20%
Rated Temperature:	85C
Voltage @ rated temp:	50V
VDC Surge:	63WVDC
Life @ rated temp:	2000 h
RoHS:	Yes
Low Z/ESR:	Yes
Temperature Range:	-40/+85C
Leakage Current:	3 mA
Leakage Condition:	5min/20c
Dissipation Factor:	30%
Ripple 120Hz @ rated temp:	5 A