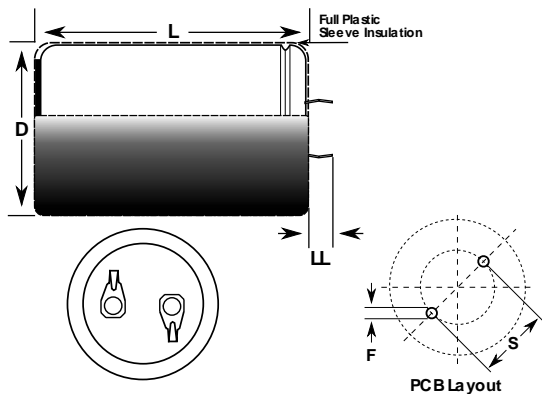


Capacitor, aluminum, 4700 uF, +/-20% Tol, -40/+85C, 35V@85C



**Dimensions (mm)**

Symbol	Dimension	Tolerance
D	22	+/-1
L	30	+/-2
S	10	+/-0.5
LL	5.8	+/-1
F	2	+/-0.1

**Packaging Specifications**

Package Kind:	Bulk
Package Quantity:	400

**General Information**

Supplier:	KEMET
Part Type Description:	Snap-In Aluminum Electrolytic
Style:	Snap-in
Lead Type:	2 Pin

**Specifications**

Capacitance:	4700 uF
Tolerance:	+/-20%
Rated Temperature:	85C
Voltage @ rated temp:	35V
VDC Surge:	63WVDC
Life @ rated temp:	2000 h
RoHS:	Yes
Low Z/ESR:	Yes
Temperature Range:	-40/+85C
Leakage Current:	3 mA
Leakage Condition:	5min/20c
Dissipation Factor:	35%
Ripple 120Hz @ rated temp:	2.4 A