

SUBJECT: SCOPE OF DOCUMENT

CONTAINS :

1-0 General Description

2-0. Input Requirements

3-0. Output Requirements

4-0. Reliability

5-0. Environment

6-0. Safety

7-0. Mechanical Characteristics

1-0. General Description

The purpose of the document is to specify a **Single phase AC input, single output** switching power supply. This specification is suitable for: **EA1019HHES Series**

This product is AC to DC switching power transfer device, it can provide for an **12V, 2.0A max & 24W max** DC output with constant voltage source.

This Specification defines the input, output, performance characteristics, environment, noise and safety requirement for a power supply.

2. Input Electrical Specification

2-1. AC Input Voltage

Maximum Voltage: 264Vac

Normal Voltage : 100~240Vac

Minimum Voltage: 90Vac

2-2. AC Input Frequency

Maximum Frequency: 63Hz

Normal Frequency: 50~60Hz

Minimum Frequency: 47Hz

2-3. Input Current

a. **0.8A**(Max.) @ 115Vac input with full load.

b. **0.4A**(Max.) @ 230Vac input with full load.

2-4. Energy saving standards :

Designed to meet the following standard

CoC Tier II

2-4-1. Efficiency

Average Efficiency 86.804% minimum at 115Vac/60Hz & 230Vac/50Hz input voltage and 25%, 50%, 75% & 100% of max output current. Meet Meet CoC Tier II.

76.804% minimum at 115Vac/60Hz & 230Vac/50Hz input voltage and 10% of max output current. Meet CoC Tier II

2-4-2 No Load Power Consumption:

No Load Watt < 0.075W at 115Vac/60Hz & 230Vac/50Hz input voltage.

2-5. Configuration

2-wire AC input (**Line, Neutral**)

2-6. Input Fuse

The hot line side of the input shall have a fuse, rating (**T2.0A/250V**)

2-7. Inrush Current

40A at 115 Vac

80A at 230 Vac At cold start, maximum load.

2-8. Line Regulation

This line regulation is less than **$\pm 1\%$** , of rated output voltage @ full load.

2-9. Hold Up Time

8.3mSec., @ Normal line, with full load.

2-10. Rise Time

50mSec., @ Rated AC input, with full load.

From 10% to 90% of output voltage.

2-11. Turn-ON Time

The output voltage should rise to 90% of rated output voltage in less than **3 Sec.** from AC apply to 100Vac from start up.

3-0. Output Requirements

3-1. Output Voltage and Current

Output Voltage (Vdc)	Current Min.(A)	Current Max.(A)
<u>+12.0V</u>	<u>0</u>	<u>2.0A</u>

3-2. Load Regulation

Voltage (Vdc)	Tolerance (%)	Regulation (Vdc)
+12V	+5/, -5	11.4V~12.6V

3-3. Dynamic Load Regulation

$\pm 5\%$ excursion for **50% - 100%** or **100% - 50%** load change of DC output at any frequency up to 1KHz(duty 50%)

3-4. Ripple & Noise

The power supply shall not exceed the following limits on the indicated voltage for 60Hz or 50Hz ripple, Switching frequency ripple and noise and dynamic load variations measured with a 20MHz bandwidth

Output	Ripple/Noise
+12.0V	Vp-p 180mV

Ripple / Noise: 60Hz ripple + switching ripple and noise

Ripple & Noise are measured at the end of output cable which are added a 0.1uF ceramic capacitor and a 47uF electrolytic capacitor

3-5. Over Load Protection

180% max of rated output current.

The adapter can withstand continuous short at DC output and no damage.

It will enter into normal condition if the fault condition is removed.

3-6. Short-Circuit Protection

The adapter can withstand continuous short at DC output and no damage.

It will enter into normal condition if the fault condition is removed.

3-7. Stability

2% Max. at constant load with constant input (after 30 minutes of operation).

3-8. Temperature Rise

Less than 45 °C on top/bottom case at normal AC input & 80% load of DC output at environment temperature 25 °C .

3-9. Drop-out

Output voltage shall remain within the specified regulation range, through the absence of a line input during 1/2 cycle, at full load and normal AC line input

3-10. Voltage Isolation

The DC ground will be isolated from the AC neutral and AC line.

4-0. Reliability

4-1. MTBF (MIL-HDBK-217F)

The power supply shall be designed and produced to have a mean time between failure (MTBF) of 100,000 hours at 25 degrees C

5-0. Environment

5-1 Temperature

- a. Operating : 0 to 40
- b. Storage : -20 to 85

5-2 Humidity

- a. Operating : 10 to 90 %
- b. Storage: 5 to 90 %

5-3 Altitude

- a. From sea level to 5,000 Meter (operation)
- b. From sea level to 5,000 Meter (non-operation)

6-0. Safety

6-1. Hi-Pot Test

4242Vdc 3mA 2Sec. between primary and secondary circuit

6-2. Insulation Test

500Vdc, 3 Sec. between primary and secondary circuit
IR should 50 MΩ.

6-3. Leakage Current

250uA, at 240Vac/50 Hz

6-4. Safety

TUV, CB, CE

6-5. EMS

Items	Specification	Reference
ESD	Contact: ± 4KV	IEC 61000-4-2
	Air: ± 8KV	
RS	Frequency:80~1000MHz Field Strength: 3V/M , 80% AM(1KHz)	IEC 61000-4-3
EFT	1.0 KV on input AC power ports.	IEC 61000-4-4
SURGE	Line to Line: ±1KV (peak)	IEC 61000-4-5

6-6. EMI

Comply with Standards
CISPR 32, EN 55032 Class B FCC PART 15 Class B

7-0. Mechanical Characteristics

7-1. **Physical Size** : 66. 5Lx26Wx64H (mm)

7-2. **Enclosure material** : 94V-0 minimum

7-3. **Output Cable (Reference)** : UL2468 #18

7-4. Vibration Test

The vibration frequencies are set at 20Hz, with total amplitude of 1.5mm
Along the 3 directions namely X-Y-Z. The each direction should be vibrated
for 60 minutes, after testing no abnormal electrical or mechanical should occur.

7-5. **Drop Test** (Referencing to CSA C22.2 No.950/UL1950/UL1310/EN62368)

Products shall be dropped from a height of 1000 mm onto a horizontal surface
consists of hardwood at 13mm thick , mounted on two layers of plywood each
19mm to 20mm thick , all supported on a concrete or equivalent non-resilient
floor. Upon conclusion of test , the equipment cannot into hazardous moving
parts and hazardous voltage circuits need be operational , and need meet Hi-Pot
specification requirement .

7-6. **Net Weight (Reference)** : 120g

27.5+/-0.5

R1.5

19+/-0.5

EDACPOWER ELEC.
AC Adapter
Model: EA1019HHES
AC Input: 100-240Vac, 0.8A, 50-60Hz
DC Output: 12.0V---2.0A 24.0W

CAUTION
FOR INDOOR USE ONLY
I.T.E. USE ONLY

VI
LPS

TÜV
SUD
tuv-sud.com/
ps-cert

CE

RoHS

S/N:YYWWXXXXXX

13128

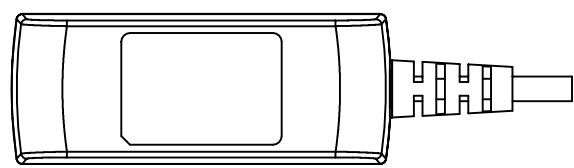
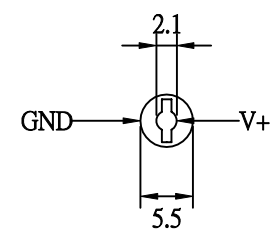
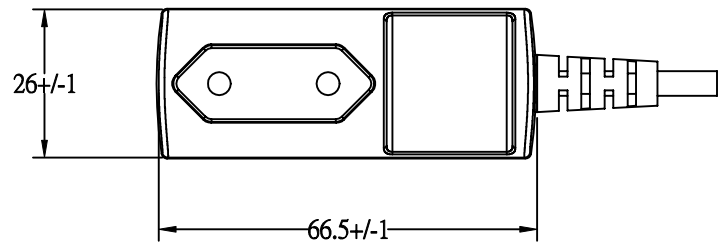
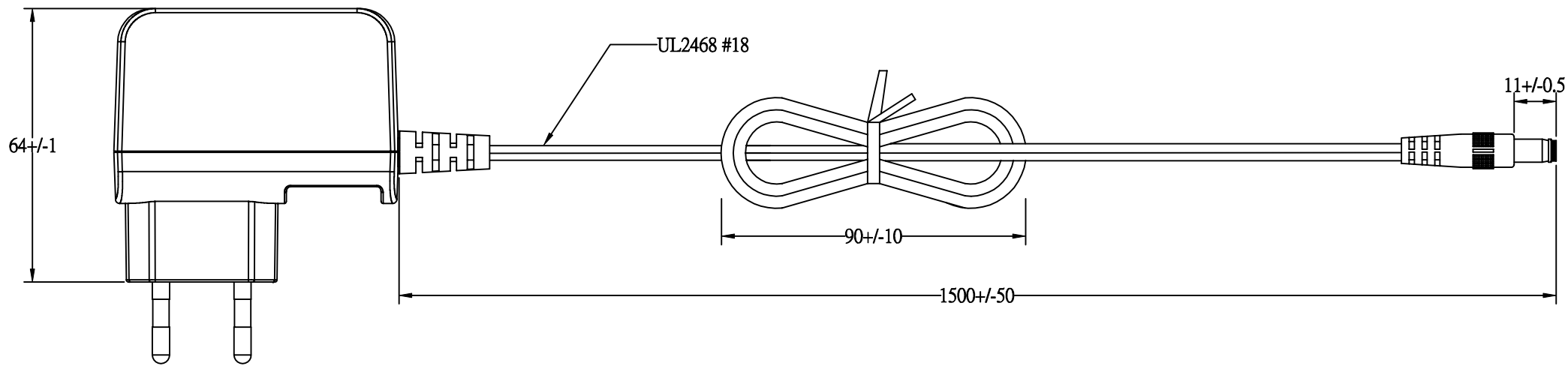
MADE IN CHINA

P/N.: 3128

Background: Black color

Character: Silver color

Unit: mm



EDACPOWER ELECTRONICS CO., LTD.				APPROVED
MODEL	EA1019HHES(T01)	UNIT	mm	DESIGNED
color	BLACK	SCALE		CHECK
cus.		DATE	2020-05-19	DRAWING L.J.YU