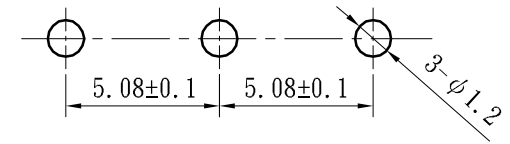


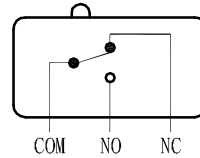
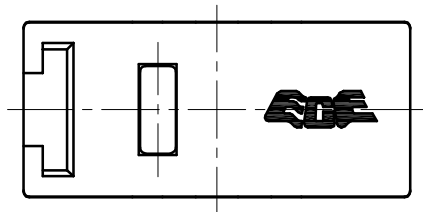
EJF-13110 Series Dimensions (Unit: mm)

Rated Voltage : DC30V 0.05A

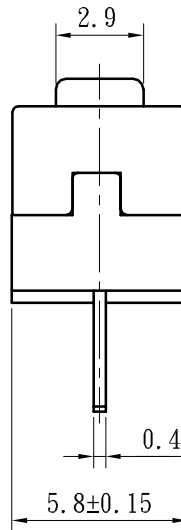
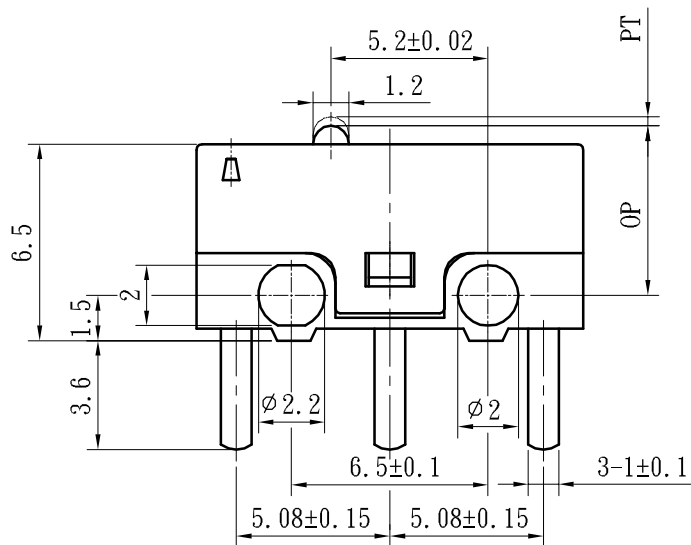
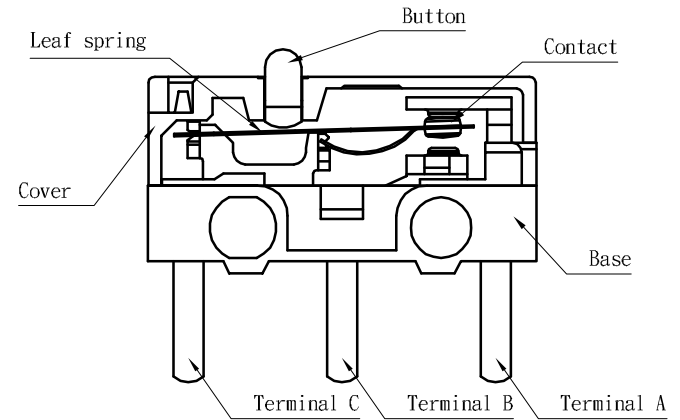
P. C. B LAYOUT:



CIRCUIT DIAGRAM



CONSTRUCTION



Operating Characteristics		Part Number EJF-13110
1.	Operating Force (OF)	75gf (0.74N) Max.
2.	Release Force (RF)	5gf (0.05N) Min.
3.	Pretravel (PT)	0.5mm Max.
4.	Movement Differential (MD)	0.12mm Max.
5.	Operating Position (OP)	5.5±0.3mm

NORMAL TOLERANCE

RANGE	TOLERANCE
0-1	±0.1
1-4	±0.3
4-16	±0.5
16-63	±0.8
63-250	±1.0



EXCEL CELL ELECTRONIC CO., LTD.

PART NUMBER

EJF1311000

CHECK	GARY	DESIGN	TIM	DRAWN	TIM	UNIT	MM (INCH)	PART NAME	EJF
						SCALE	4:1	TYPE	
						SIZE	A4	FILE NAME	
						PROJECTION		EDITION	

NO.	DETAILS	ALTERED BY	DATE