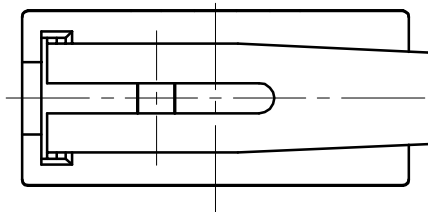
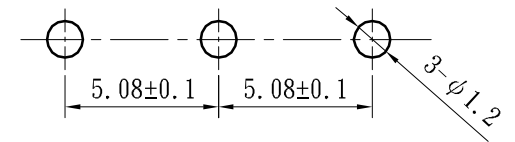


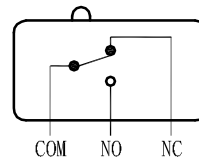
EJF-22210 Series Dimensions (Unit: mm)

Rated Voltage : AC125V 3A

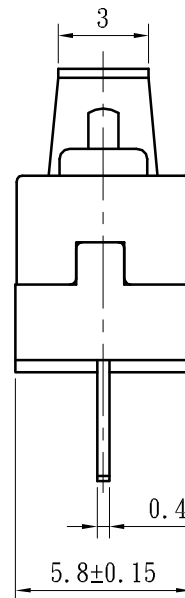
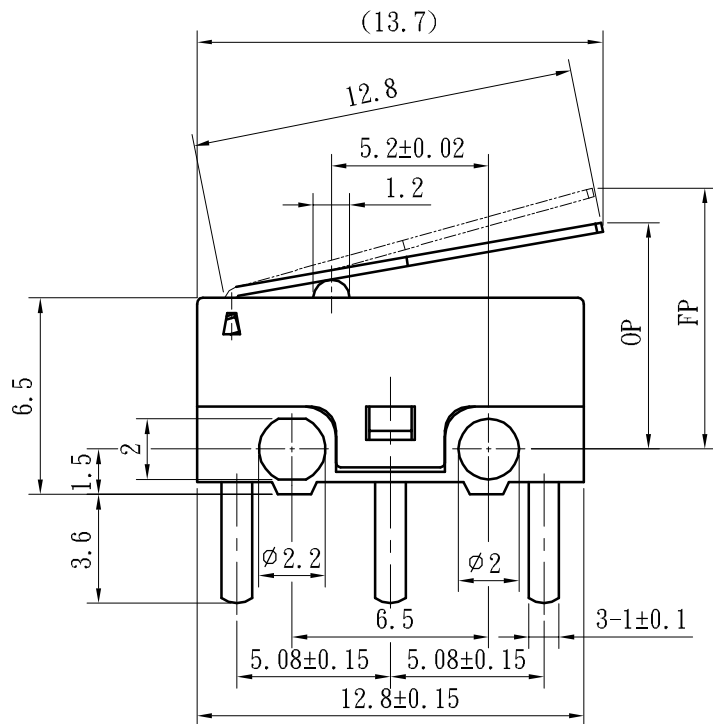
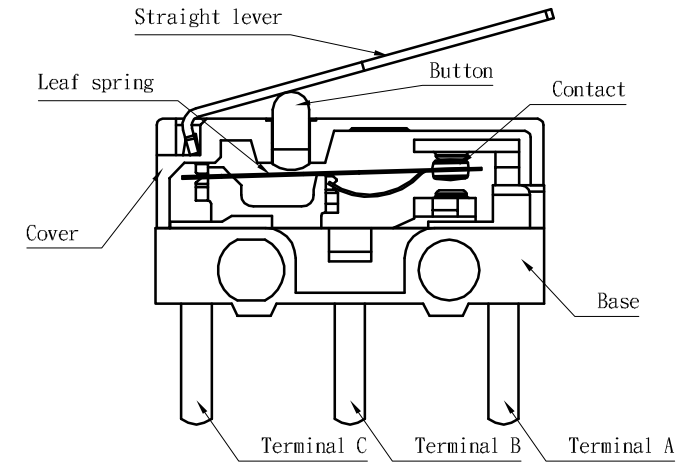
P. C. B LAYOUT:



CIRCUIT DIAGRAM



CONSTRUCTION



Operating Characteristics	Part Number	EJF-22210
1. Operating Force (OF)		80gf (0.78N) Max.
2. Release Force (RF)		5gf (0.05N) Min.
3. Free Position (FP)		10mm Max.
4. Movement Differential (MD)		0.5mm Max.
5. Operating Position (OP)		6.8±1.5mm

NORMAL TOLERANCE

RANGE	TOLERANCE
0-1	±0.1
1-4	±0.3
4-16	±0.5
16-63	±0.8
63-250	±1.0



EXCEL CELL ELECTRONIC CO., LTD.

PART NUMBER

EJF2221000

CHECK	GARY	DESIGN	TIM	DRAWN	TIM	UNIT	MM (INCH)	PART NAME	EJF
						SCALE	4:1	TYPE	
						SIZE	A4	FILE NAME	
						PROJECTION		EDITION	

NO.	DETAILS	ALTERED BY	DATE