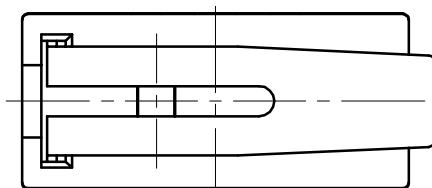
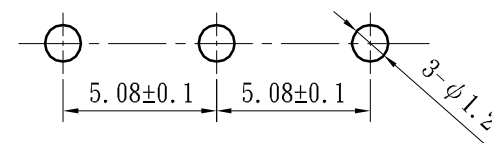


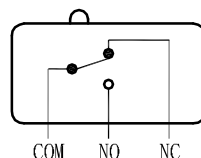
# EJF-23210 Series Dimensions (Unit : mm)

Rated Voltage : DC30V 0.05A

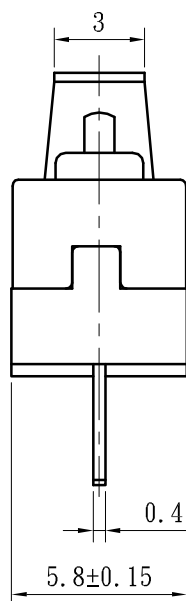
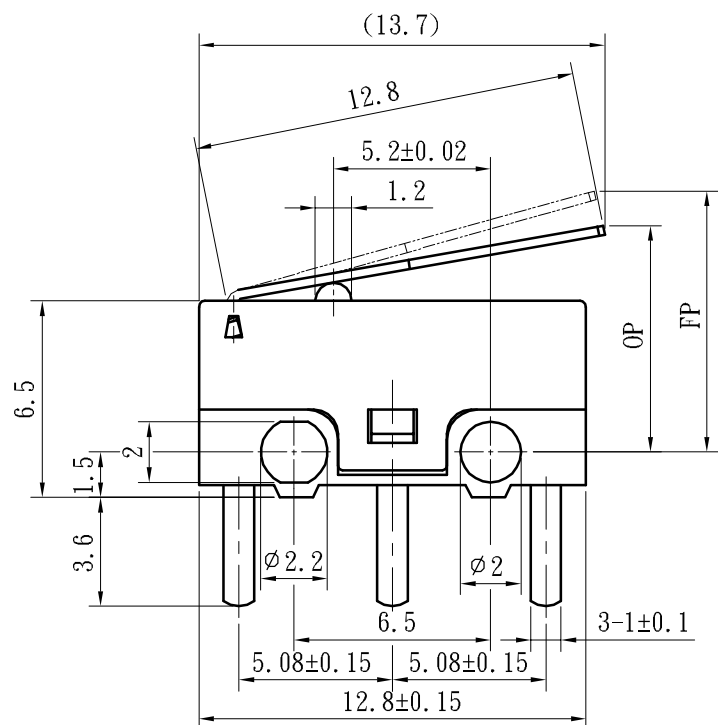
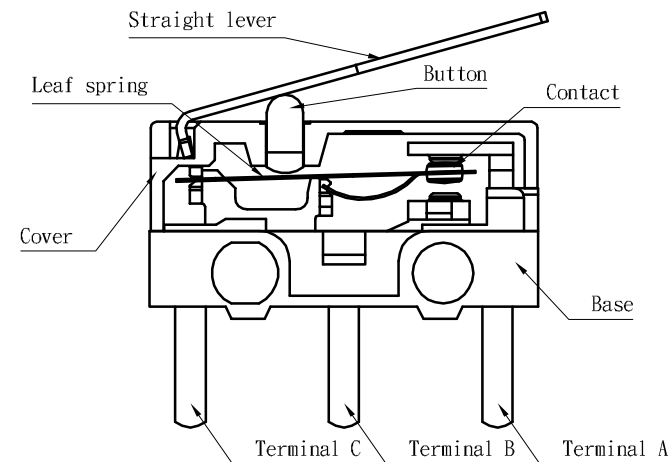
## P. C. B LAYOUT:



## CIRCUIT DIAGRAM



## CONSTRUCTION



Part Number		EJF-23210
Operating Characteristics	1. Operating Force (OF)	80gf (0.78N) Max.
	2. Release Force (RF)	5gf (0.05N) Min.
	3. Free Position (FP)	10mm Max.
	4. Movement Differential (MD)	0.5mm Max.
	5. Operating Position (OP)	6.8±1.5mm

### NORMAL TOLERANCE

RANGE	TOLERANCE
0-1	±0.1
1-4	±0.3
4-16	±0.5
16-63	±0.8
63-250	±1.0



EXCEL CELL ELECTRONIC CO., LTD.

PART NUMBER

EJF2321000

CHECK	GARY	DESIGN	TIM	DRAWN	TIM				
						UNIT	MM ( INCH )	PART NAME	EJF
						SCALE	4:1	TYPE	
						SIZE	A4	FILE NAME	
						PROJECTION		EDITION	

NO.	DETAILS	ALTERED BY	DATE