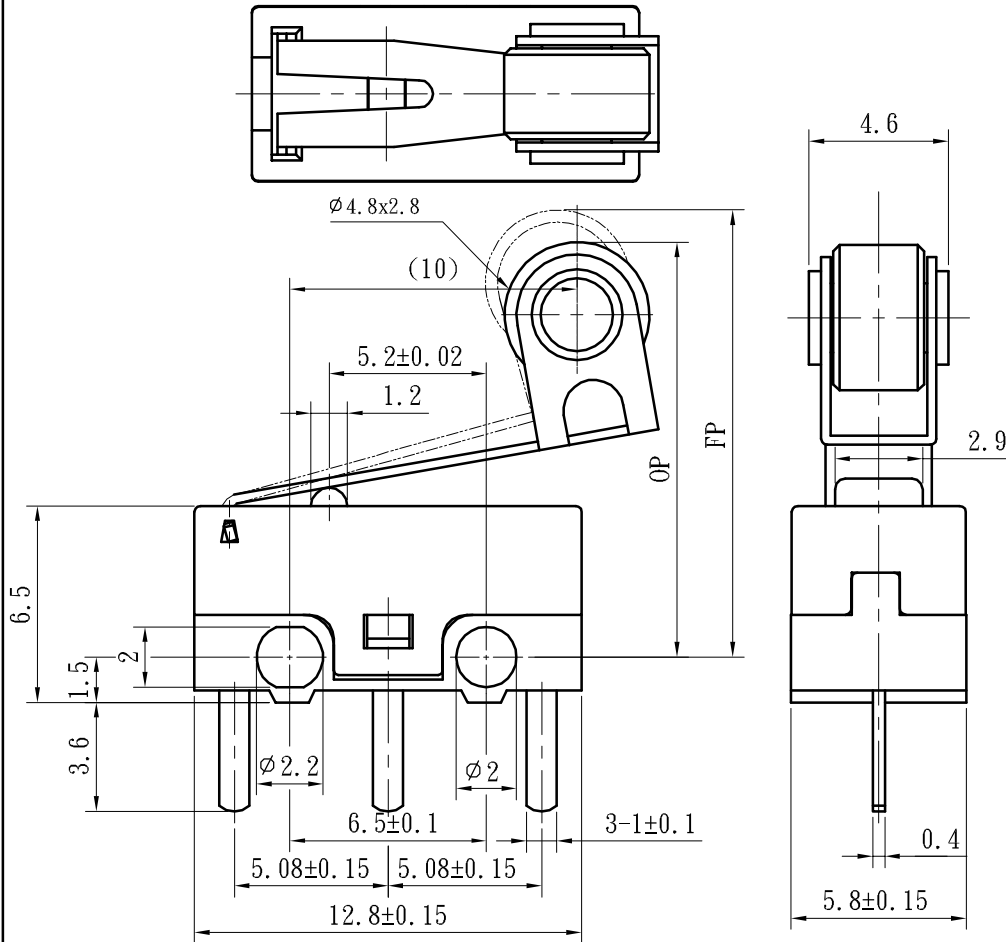
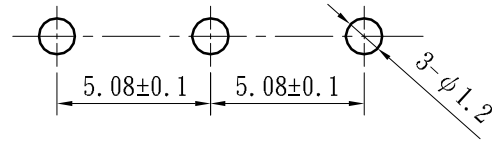


# EJF-23310 Series Dimensions (Unit: mm)

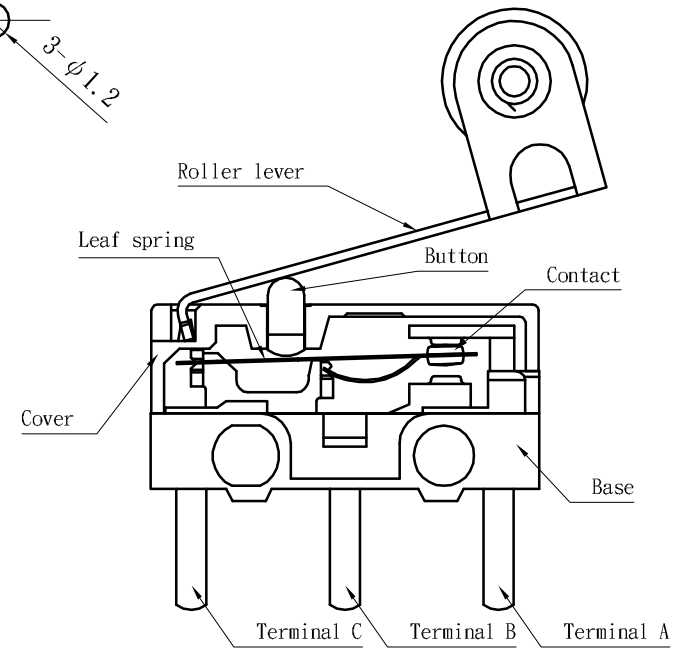
Rated Voltage : DC30V 0.05A



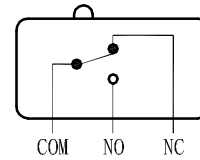
## P. C. B LAYOUT:



## CONSTRUCTION



## CIRCUIT DIAGRAM



Operating Characteristics		Part Number EJF-23310
1.	Operating Force (OF)	80gf (0.78N) Max.
2.	Release Force (RF)	5gf (0.05N) Min.
3.	Free Position (FP)	16.5mm Max.
4.	Movement Differential (MD)	0.5mm Max.
5.	Operating Position (OP)	13±2.0mm

				NORMAL TOLERANCE		EXCEL CELL ELECTRONIC CO., LTD.				PART NUMBER		EJF2331000			
				RANGE	TOLERANCE					CHECK	GARY	DESIGN	TIM	DRAWN	TIM
				0-1	±0.1	SCALE	4:1	TYPE							
				1-4	±0.3	SIZE	A4	FILE NAME							
				4-16	±0.5	PROJECTION		EDITION							
				16-63	±0.8										
NO.	DETAILS	ALTERED BY	DATE	63-250	±1.0										