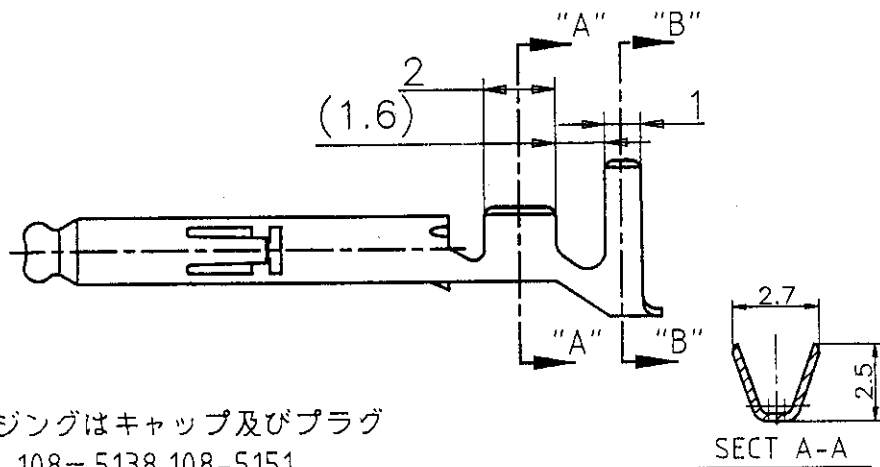
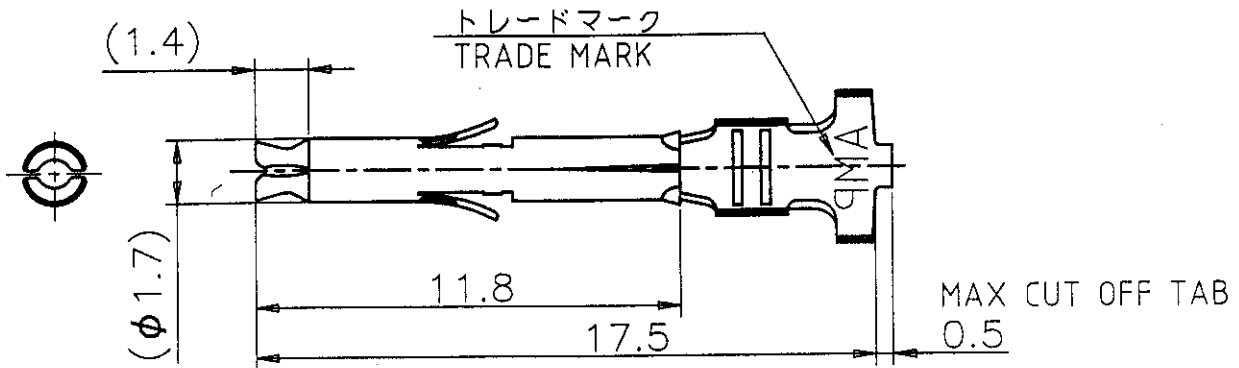


LOC		DIST		REVISIONS			
P	LTR	DESCRIPTION		DATE	DWN	APVD	
B1		REVISED PER ECO-11-005030		22MAR11	RK	HMR	



注記)

1. 使用ハウジングはキャップ及びプラグ
- △ 製品規格 108-5138, 108-5151
- △ 取付適用規格 114-5050
4. 取扱説明書 411-5105

NOTES)

1. APPLICABLE HOUSING; CAP AND PLUG
- △ PRODUCT SPECIFICATION 108-5138, 108-5151
- △ APPLICATION SPECIFICATION 114-5050
4. INSTRUCTION SHEET 411-5105

171639-1
型番 (PART NO.)

WIRE RANGE 適合電線断面積 0.5-1.3mm ² AWG #20-16		INSULATION DIA 被覆外径 2.0-3.2mmDia 2.4mmDia x 2	
MATERIAL 材料 黄銅 (BRASS): 0.25t		FINISH 仕上 PRE-TIN	
TE TE Connectivity			
NAME 名称 SOCKET (LOOSE PIECE) MINI UNIVERSAL MATE-N-LOK			
SIZE 尺貫	CAGE CODE 番号	DRAWING NO 番号	RESTRICTED TO
A4	00779	C=171639	
CUSTOMER DRAWING		SCALE 尺貫	SHEET 1 OF 1 REV B1
		5:1	

参考図面

RELEASED FOR PUBLICATION

ALL RIGHTS RESERVED.

THIS DRAWING IS UNPUBLISHED.

© COPYRIGHT