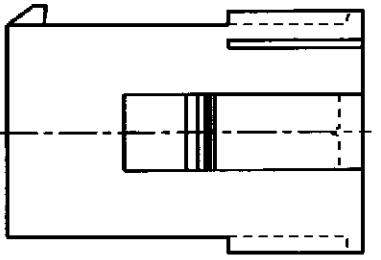
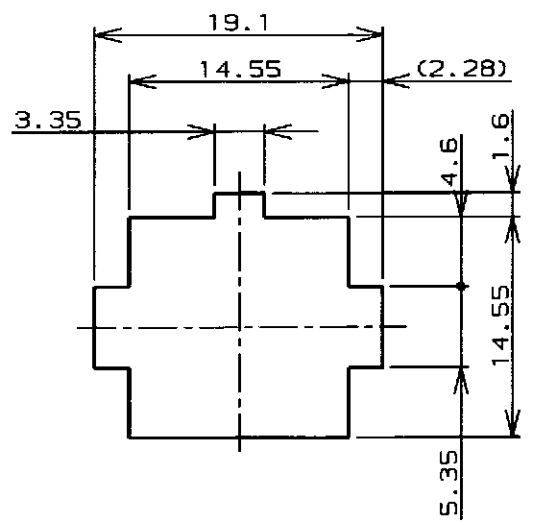
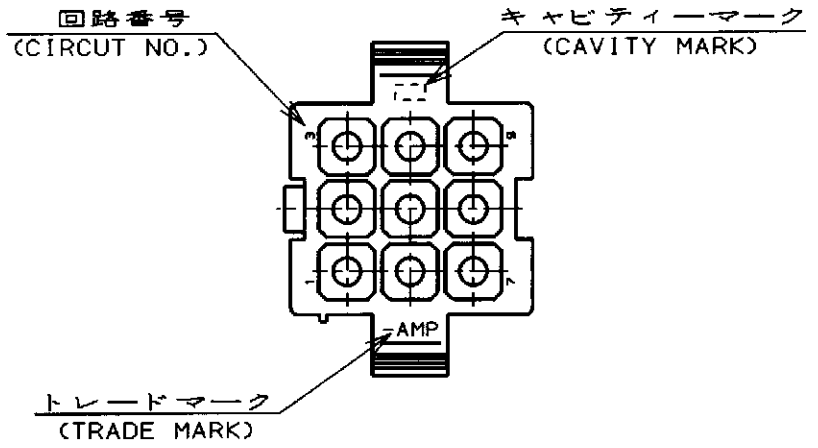
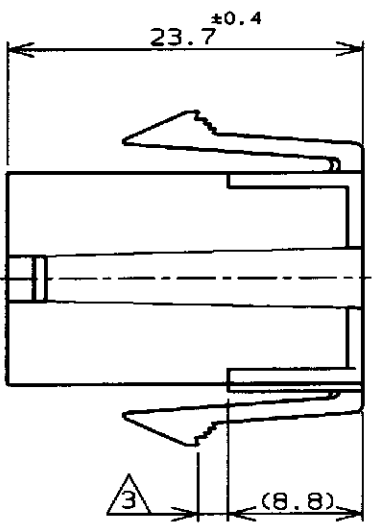
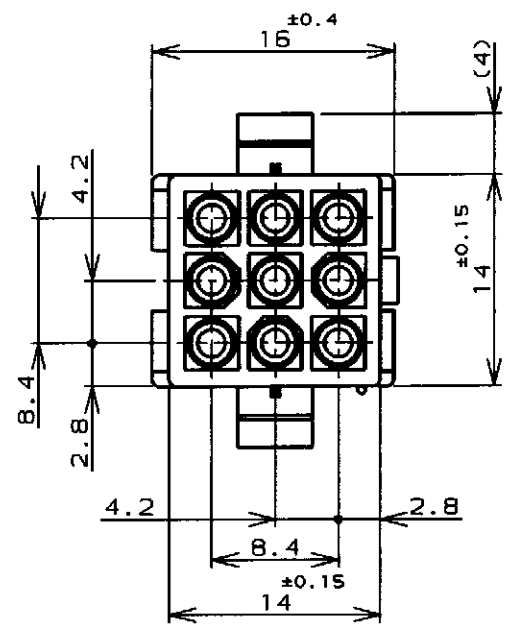


LOC		DIST		REVISIONS				
				変更		DATE	DWN	APVD
P	LTR	DESCRIPTION		DATE	DWN	APVD		
	E2	REVISED PER ECO-11-005140		30MAR11	RK	HMR		



注記;

1. 使用端子型番は170359, 170360, 170361, 170362
2. 嵌合相手ハウジング型番は172169
3. 通用パネル厚 0.8-2.0mm
4. 取付穴打抜方向とハウジングの挿入方向は同じとする。

NOTE;

1. APPLICABLE CONT P/N: 170359, 170360, 170361, 170362
2. MATING HSG P/N: 172169
3. APPLICABLE PANEL THICKNESS: 0.8-2.0mm
4. HOUSING INSERTION INTO THE PANEL CUT-OUT MUST BE DONE IN THE SAME DIRECTION WITH PUNCH KNOCKING.
5. OBSOLETE PARTS: OBSOLETE CIS STREAMLINING PER D.RENAUD/D.SINISI

寸法公差は±0.20
(TOLERANCE: ±0.20)

パネル取付穴
(RECOMENDED PANEL OPENING DIMENSION)

5
OBSOLETE

黒 (BLACK)	1-172161-9
青 (BLUE)	1-6
緑 (GREEN)	1-5
赤 (RED)	1-2
自然色 (NATURAL)	172161-1
色 (COLOR)	型番 (P/N)
WIRE RANGE 挿合電線断面積	INSULATION DIA 被覆外径

DOWNSIDE		8 JUN '98		N. YAMASAKI	
CHECKED		15 JUN '98		M. SHINDO	
APPROVED		15 JUN '98		M. SHINDO	
PRODUCT SPEC		108-5138		9極ミニユニバーサルメイトンロックキャップハウジング (UL94V-0)	
INSTRUCTION SHEET		IS-105J		9Pos MINI UNIVERSAL MATE-N-LOCK CONN. CAP HOUSING (UL94V-0)	
MATERIAL		66ナイロン UL94V-0 (66NYLON UL94V-0)		FINISH	
TOLERANCES UNLESS OTHERWISE SPECIFIED		一般公差 (GENERAL TOLERANCE)		±0.3	
DIMENSIONS		単位・純 mm		WEIGHT	
SCALE		2-1		SHEET 1 OF 1	
CUSTOMER DRAWING		DRAWING NO		C=172161	
RESTRICTED TO		A3 00779		REV E2	