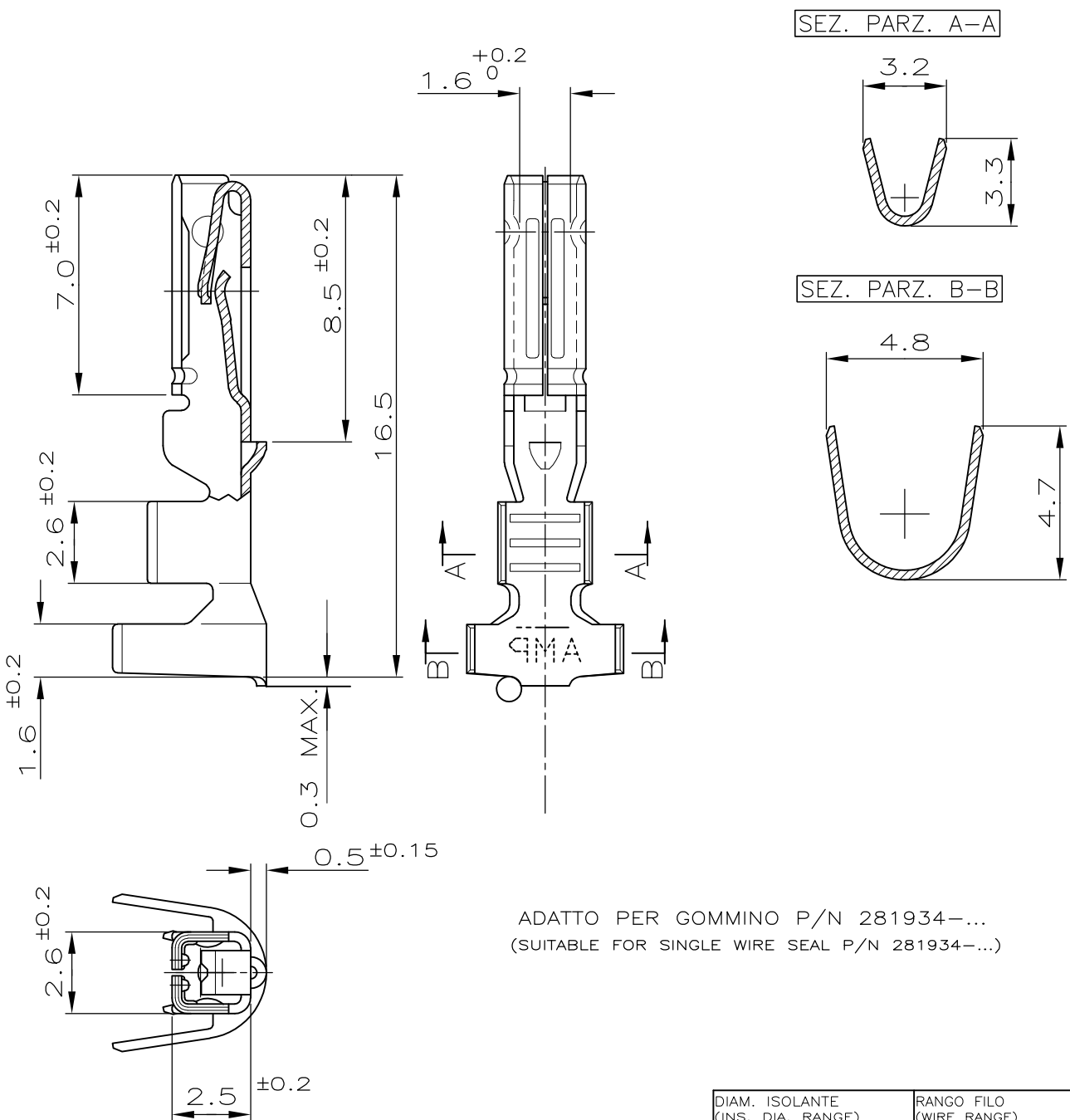


**METRIC**


LOC	DIST	REVISIONS					
I	—	P	LTR	DESCRIPTION	DATE	DWN	APVD
		C3		REVISED PER ECO-11-005033	11MAR11	RK	HMR



ADATTO PER GOMMINO P/N 281934-...  
(SUITABLE FOR SINGLE WIRE SEAL P/N 281934-...)

DIAM. ISOLANTE (INS. DIA. RANGE) VED. NOTA	RANGO FILO (WIRE RANGE) 0.75-1.5mm <sup>2</sup>
--	---

CUSTOMER DWG. FOR REFERENCE ONLY	PRE-STAGNATO (PRE-TINNED)	BRONZO FOSFOROSO (PH.BRONZE)	(RICAVATO DA 282110-1) (MADE FROM 282110-1) 183025-1
	FINITURA / COLORE (FINISH / COLOUR)	MATERIALE (MATERIAL)	NUMERO (PART NUMBER)

DIMENSIONS: mm	DWN Bassano 9 NOV.90	MATERIAL	FINISH
	CHK Bertini 9 NOV.90	 TE Connectivity	
TOLERANCES UNLESS OTHERWISE SPECIFIED:	APVD		
0 PLC ± -	PRODUCT SPEC	NAME (LOOSE PIECE VERSION) MINI MIC SRS REC. CONTACT	
1 PLC ± 0.3	APPLICATION SPEC	SIZE	CAGE CODE
2 PLC ± -		A4	00779
3 PLC ± -		DRAWING NO	
4 PLC ± -		C-183025	
ANGLES ± 2°	WEIGHT	RESTRICTED TO	
		-	
CUSTOMER DRAWING		SCALE	SHEET
		5:1	1 OF 1
		REV C3	

THIS DRAWING IS UNPUBLISHED. ALL RIGHTS RESERVED.