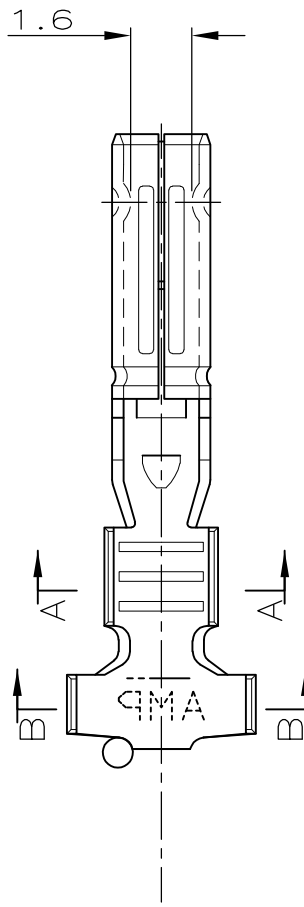
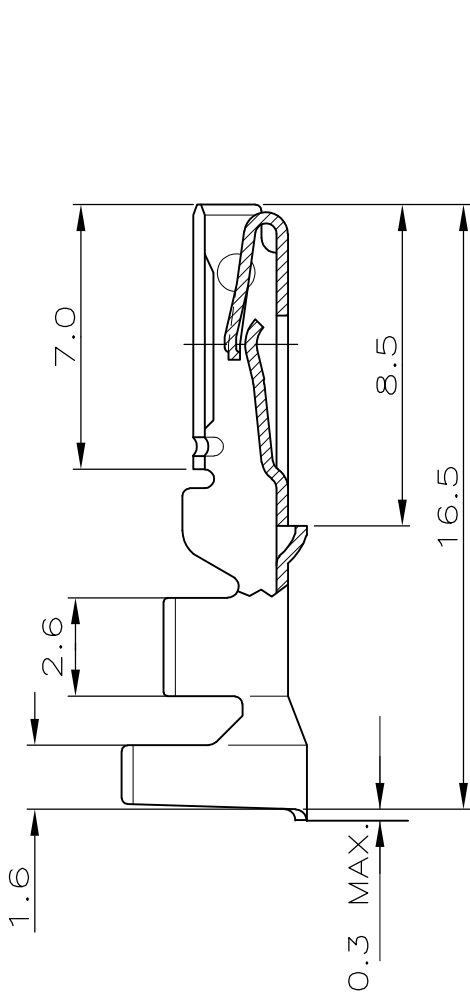
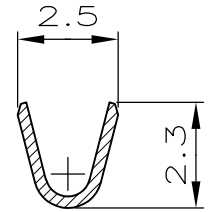


METRIC

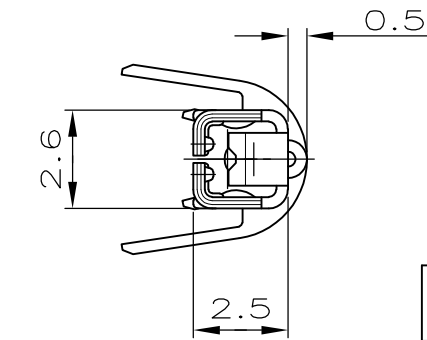
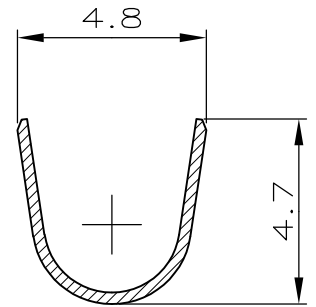
LOC	DIST	REVISIONS					
I	—	P	LTR	DESCRIPTION	DATE	DWN	APVD
			A1	REVISED PER ECO-11-005033	30MAR11	RK	HMR



SEZ. PARZ. A-A



SEZ. PARZ. B-B



ADATTO PER GOMMINO P/N 281934-4
(SUITABLE FOR SINGLE WIRE SEAL P/N 281934-4)

PRE-STAGNATO (PRE-TINNED)	BRONZO FOSFOROSO (PH.BRONZE)	(RICAVATO DA 282403-1) (MADE FROM 282403-1)
FINITURA / COLORE (FINISH / COLOUR)	MATERIALE (MATERIAL)	NUMERO (PART NUMBER)
		183035-1

DIAM. ISOLANTE (INS. DIA. RANGE)	RANGO FILO (WIRE RANGE)
VED. NOTA	0.35-0.5mm ²

CUSTOMER DWG. FOR REFERENCE ONLY	DISEGNO PER CLIENTE SOLO PER RIFERIMENTO
-------------------------------------	---

DIMENSIONS: mm	DWN	17 MAY 93	MATERIAL	FINISH		
	CHK	17 MAY 93	TE Connectivity			
TOLERANCES UNLESS OTHERWISE SPECIFIED:	APVD	—			(LOOSE PIECE VERSION) MINI MIC SRS REC. CONTACT	
	PRODUCT SPEC	—				
0 PLC ± -	APPLICATION SPEC	—	SIZE	CAGE CODE	DRAWING NO	RESTRICTED TO
1 PLC ± 0.3	WEIGHT	—	A4	00779	C-183035	—
2 PLC ± -	CUSTOMER DRAWING		SCALE	SHEET	REV	
3 PLC ± -			5:1	1 OF 1	A1	
4 PLC ± -						
ANGLES ± 2°						

THIS DRAWING IS UNPUBLISHED.
 ALL RIGHTS RESERVED.

RELEASED FOR PUBLICATION
 BY -
 COPYRIGHT -