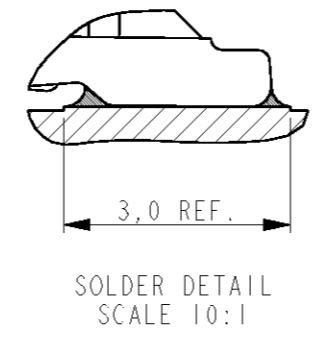
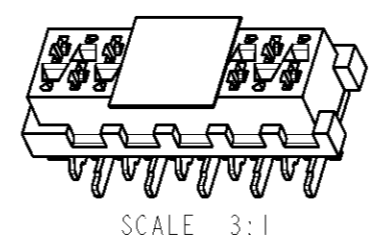
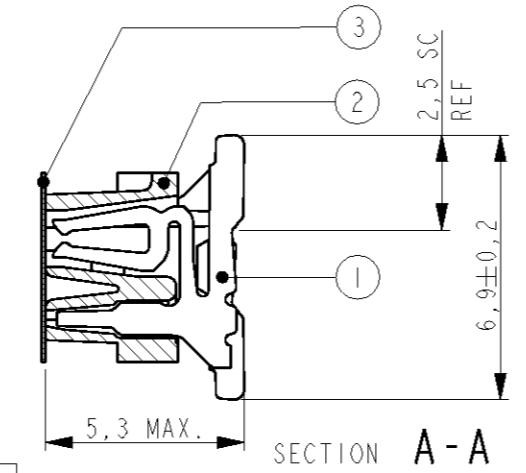
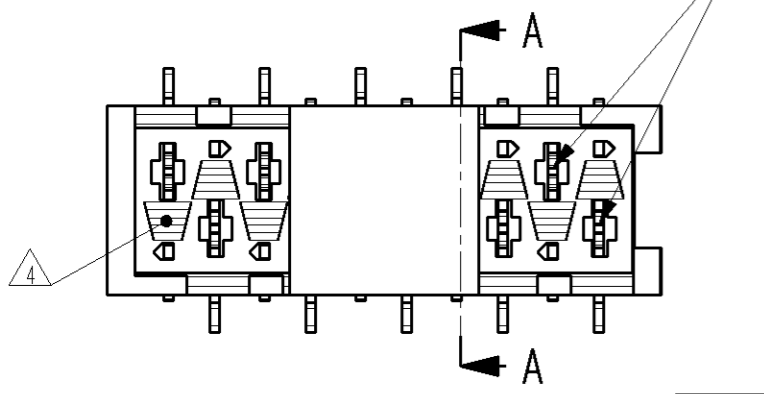


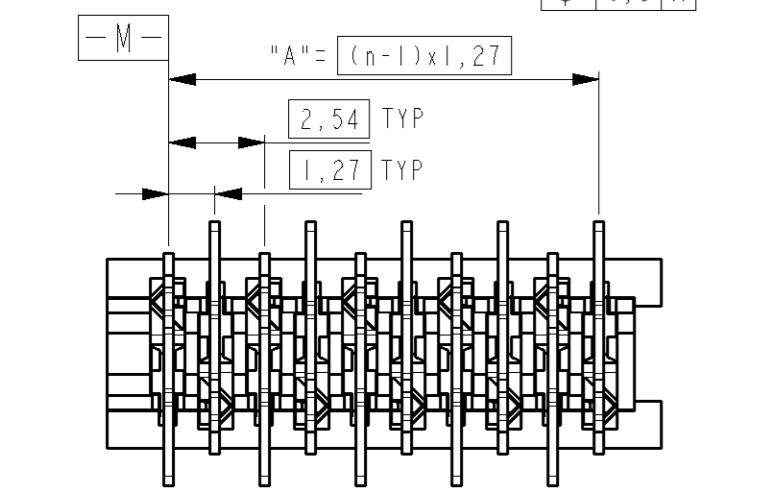
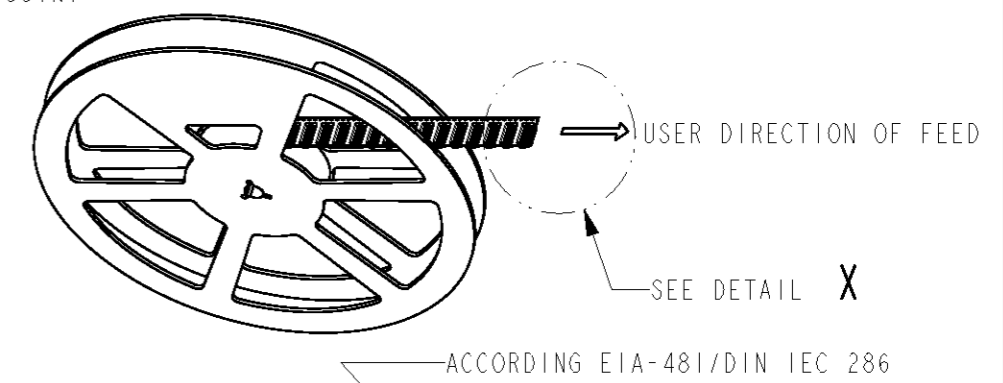
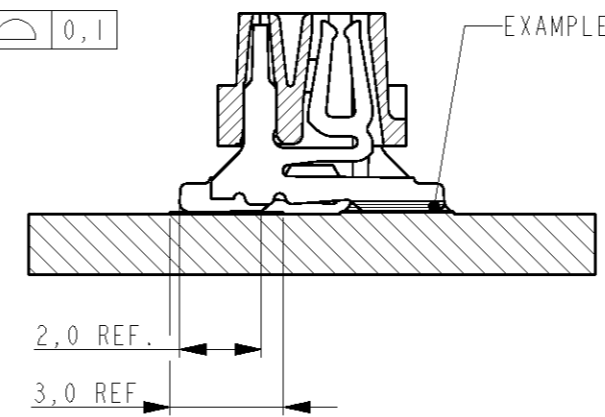
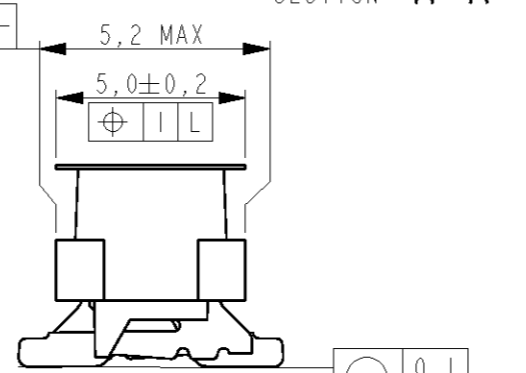
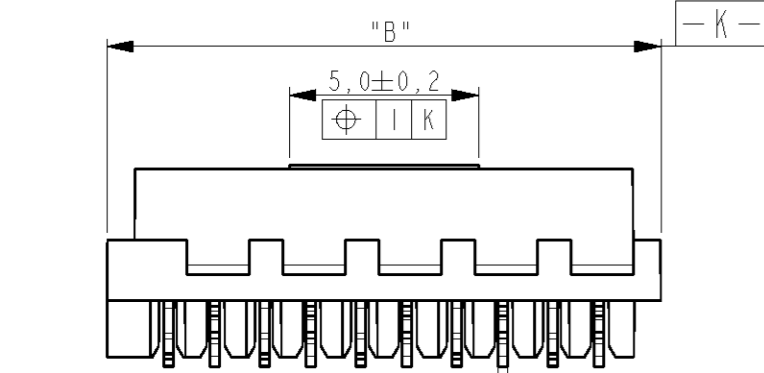
THIS DRAWING IS UNPUBLISHED. RELEASED FOR PUBLICATION
 © COPYRIGHT - BY - ALL RIGHTS RESERVED.

LOC		DIST		REVISIONS					
H		-		P	LTR	DESCRIPTION	DATE	DWN	APVD
				S1		REVISED PER ECO-11-005294	21APR11	RK	HMR

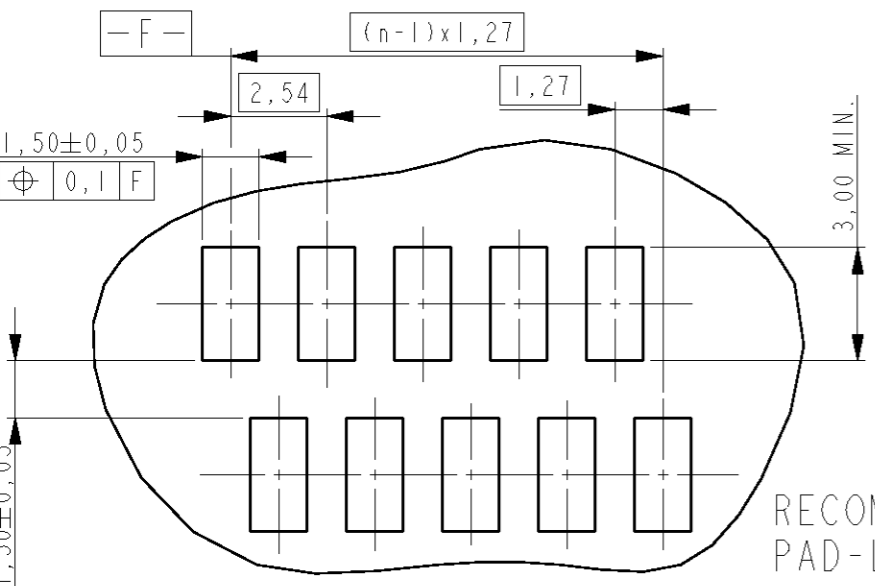
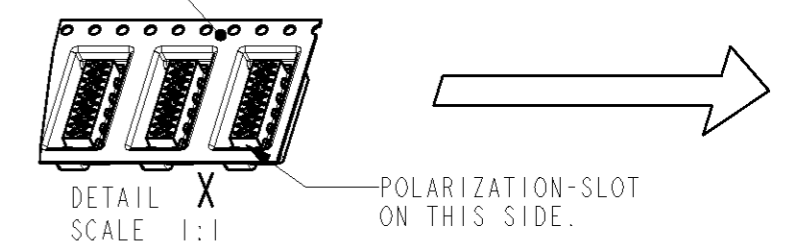
REFERENCE MATING INTERFACE PATTERN:
 1,27 STAGGERED PITCH x 1,5 ROW-DISTANCE.



△1 PARTNUMBER VAC. TAPE.	△3 PARTNUMBER	NR. OF POS. "n"	"A"	"B" MAX.
7-188275-4	0-188275-4	4	3,81	7,1
7-188275-6	0-188275-6	6	6,35	9,7
7-188275-8	0-188275-8	8	8,89	12,2
8-188275-0	1-188275-0	10	11,43	14,7
8-188275-2	1-188275-2	12	13,97	17,3
8-188275-4	1-188275-4	14	16,51	19,8
8-188275-6	1-188275-6	16	19,05	22,4
8-188275-8	1-188275-8	18	21,59	24,9
9-188275-0	2-188275-0	20	24,13	27,5



NOTES:
 △1 TAPE FOR VACUUM P&P ONLY FOR DASHNUMBERS 7- /8- /9-
 2 FOR PACKAGING SEE SHEET 2 OF 2
 △3 WITHOUT VACUUM TAPE.
 △4 CORING-OUTS FOR MANUFACTURING PURPOSE ONLY.
 5 SHOWN IS A 10 POSITION CONNECTOR.
 SHAPE MAY VARY, BUT IS NOT FUNCTIONAL FOR THE APPLICATION.



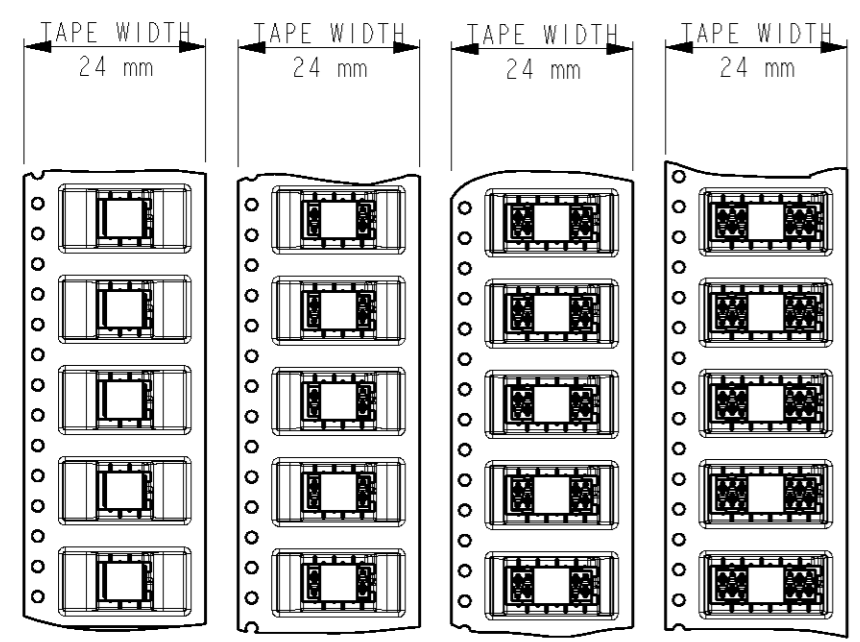
3	PICK&PLACE TAPE	KAPTON	AMBER TRANSPARENT
2	FEMALE HOUSING	G.F.POLYAMIDE	RED
1	FEMALE CONTACT	PHOSPHOR BRONZE	TIN OVER NICKEL
ITEM NO.	COMPONENT DESCRIPTION	MATERIAL	FINISH / COLOR

DWN M. GOSSELINK		STE TE Connectivity	
CHK -		NAME	
APVD -		CONNECTOR, FEMALE-ON-BOARD TOP-ENTRY, SMD, Micro-MaTch	
PRODUCT SPEC 108-19052		SIZE A3	CAGE CODE 00779
APPLICATION SPEC -		DRAWING NO C=188275	RESTRICTED TO -
MATERIAL -		WEIGHT -	SCALE - SHEET 1 OF 2 REV S1
FINISH -		CUSTOMER DRAWING	

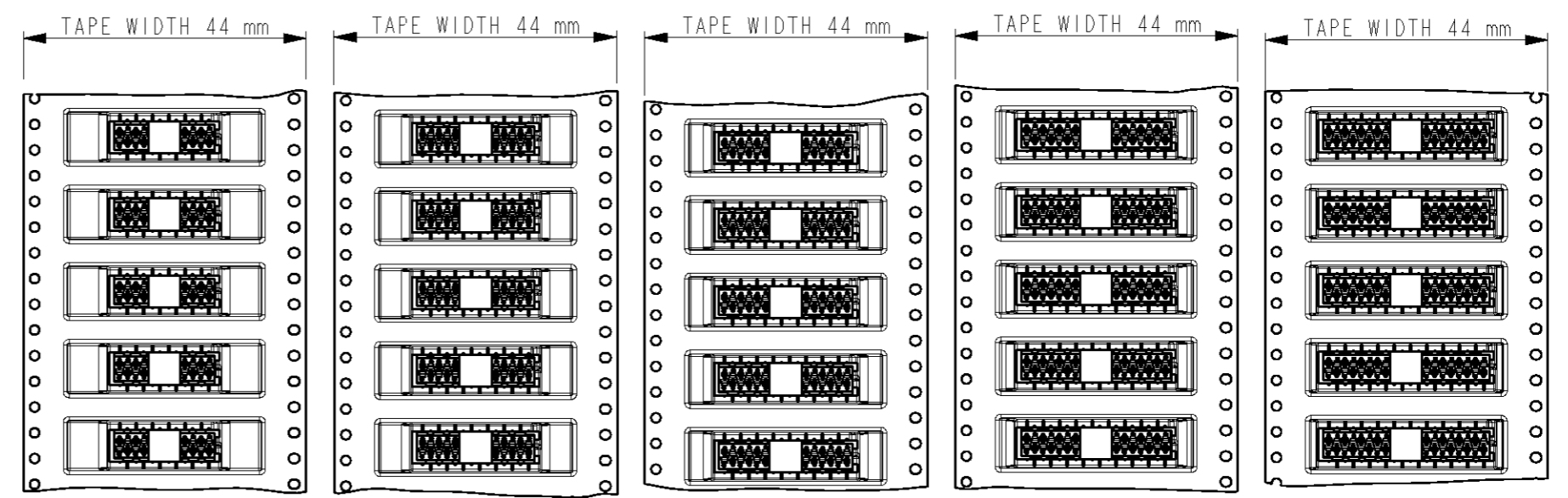
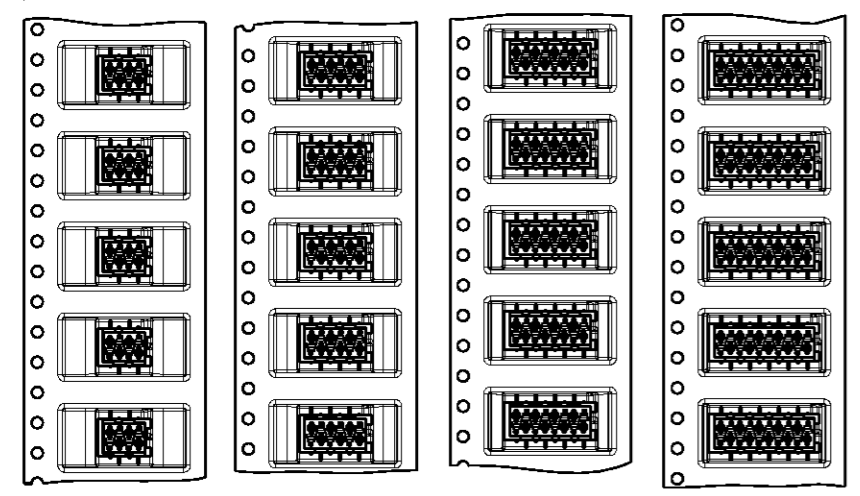
THIS DRAWING IS UNPUBLISHED. RELEASED FOR PUBLICATION

© COPYRIGHT - BY - ALL RIGHTS RESERVED.

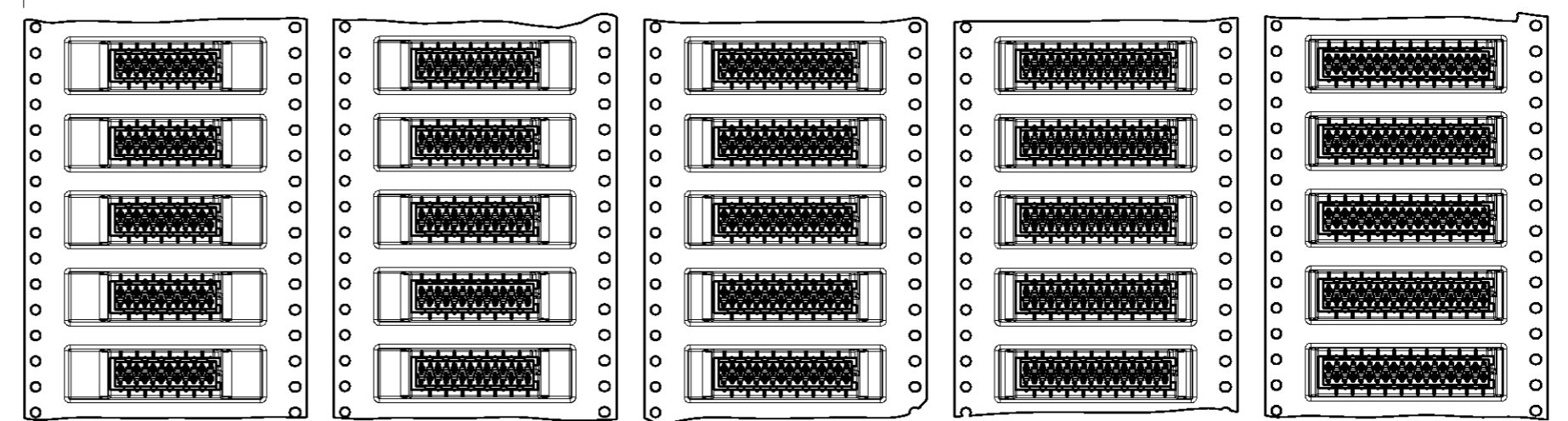
LOC	DIST	REVISIONS					
H	-	P	LTR	DESCRIPTION	DATE	DWN	APVD
SHE SHEET 1							



7-188275-4	7-188275-6	7-188275-8	8-188275-0
4 POSITION	6 POSITION	8 POSITION	10 POSITION
0-188275-4	0-188275-6	0-188275-8	1-188275-0



8-188275-2	8-188275-4	8-188275-6	8-188275-8	9-188275-0
12 POSITION	14 POSITION	16 POSITION	18 POSITION	20 POSITION
1-188275-2	1-188275-4	1-188275-6	1-188275-8	2-188275-0



DIMENSIONS: mm		TOLERANCES UNLESS OTHERWISE SPECIFIED:		DWN M. GOSSELINK		STE TE Connectivity				
		0 PLC ±-		CHK -				NAME CONNECTOR, FEMALE-ON-BOARD TOP-ENTRY, SMD, Micro-MaTch		
		1 PLC ±0,1		APVD -						
MATERIAL -		2 PLC ±0,05		PRODUCT SPEC 108-19052		SIZE		CAGE CODE 00779	DRAWING NO 188275	RESTRICTED TO -
		3 PLC ±-		APPLICATION SPEC -		SCALE				
FINISH -		4 PLC ±-		WEIGHT -		CUSTOMER DRAWING				
		ANGLES ±-		-		-				