

4

3

2

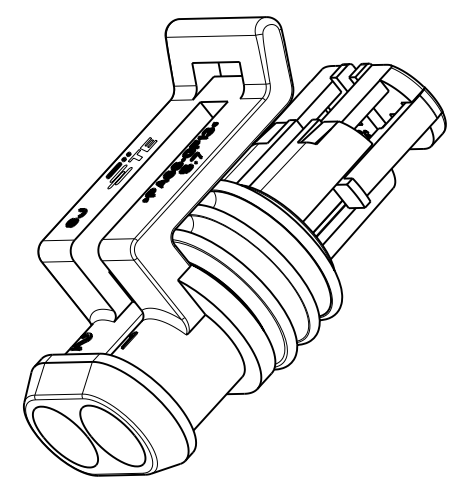
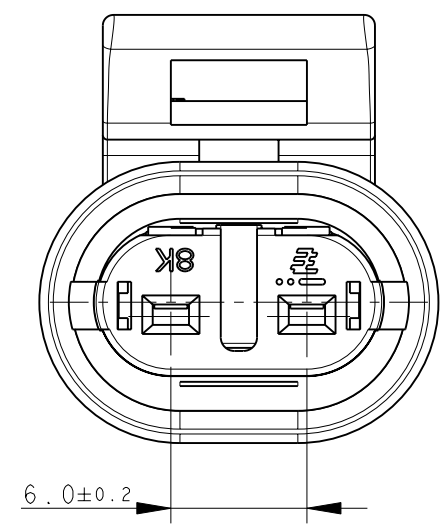
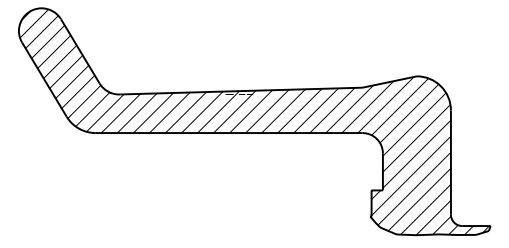
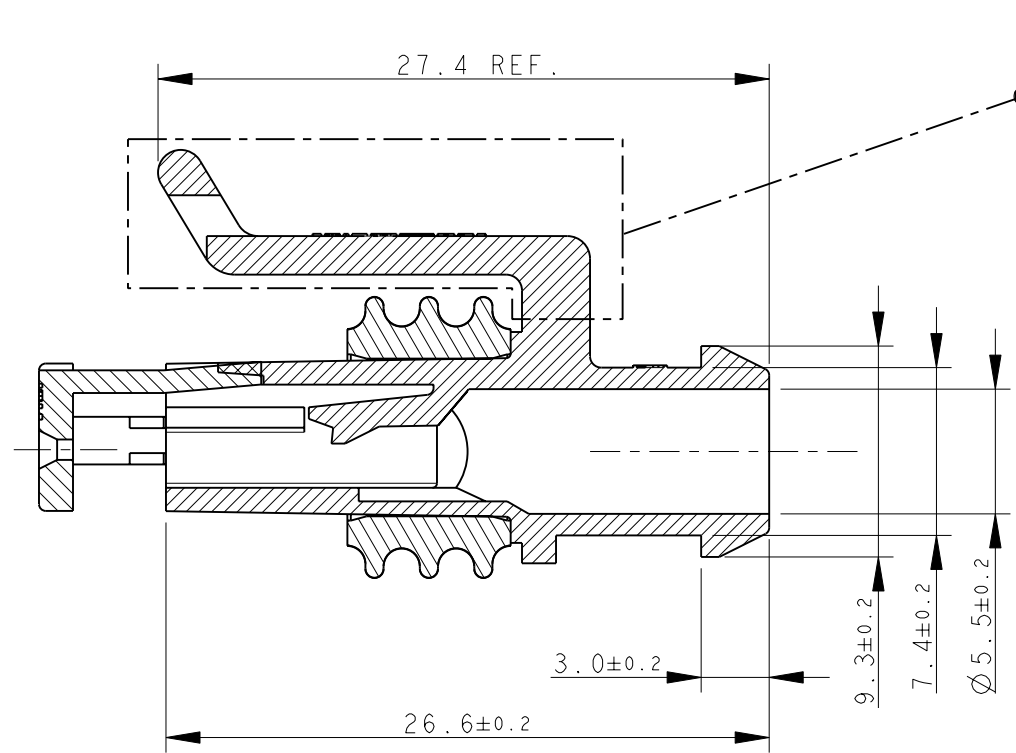
1

THIS DRAWING IS UNPUBLISHED. RELEASED FOR PUBLICATION 2011

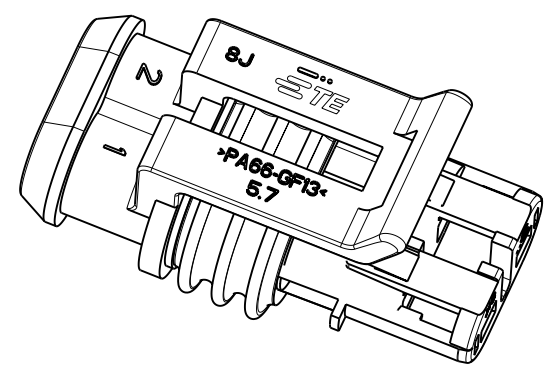
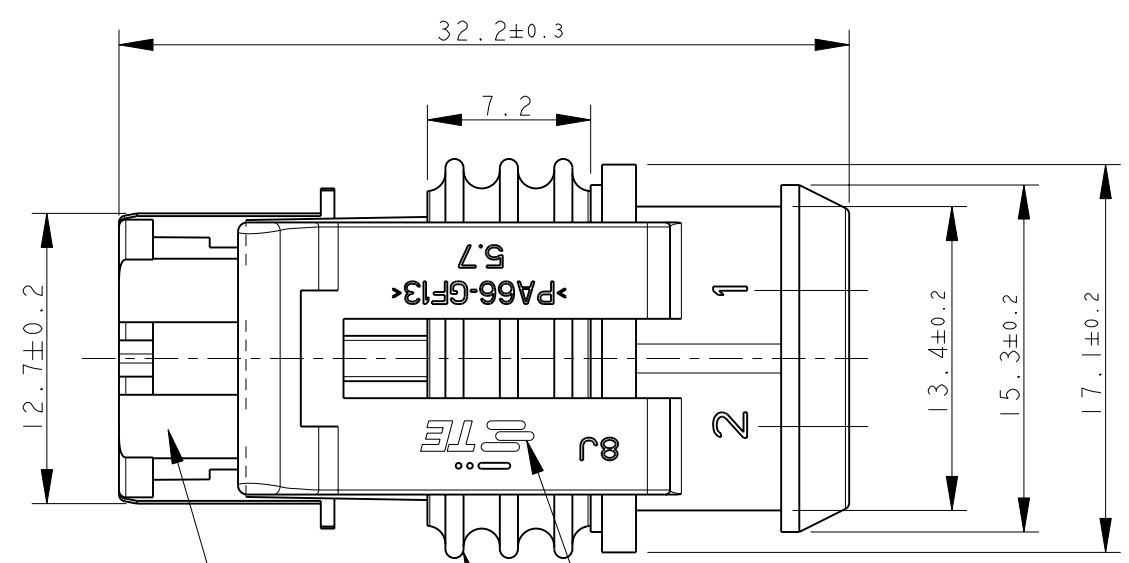
© COPYRIGHT 2011 ALL RIGHTS RESERVED.

LOC	DIST	REVISIONS			
P	LTR	DESCRIPTION	DATE	DWN	APVD
	C2	REVISED PER ET00-0092-00	04APR2000	M.G.	R.M.
	C3	REVISED PER ET00-0008-04	20JAN2004	P.Z.	R.M.
	C4	REVISED AND REDRAWN (ECR-09-015609)	13JUL2009	M.G.	M.G.
	C5	REVISED (ECR-11-009825)	20MAY2011	M.G.	M.G.

ALTERNATIVE DESIGN OF LOCKING LANCE



1) FOR COUNTERPART DETAILS, SEE SHEET 2 OF 2




BROWN		282080-4
GREEN	PA66-GF	282080-3
GRAY		282080-2
BLACK		282080-1
FINISH/COLOR	MATERIAL	PART NUMBER

TE CONNECTIVITY LOGO OR, IN ALTERNATIVE, "AMP" OR "Tyco Electronics" LOGO

SEALING (SILICONE RUBBER)

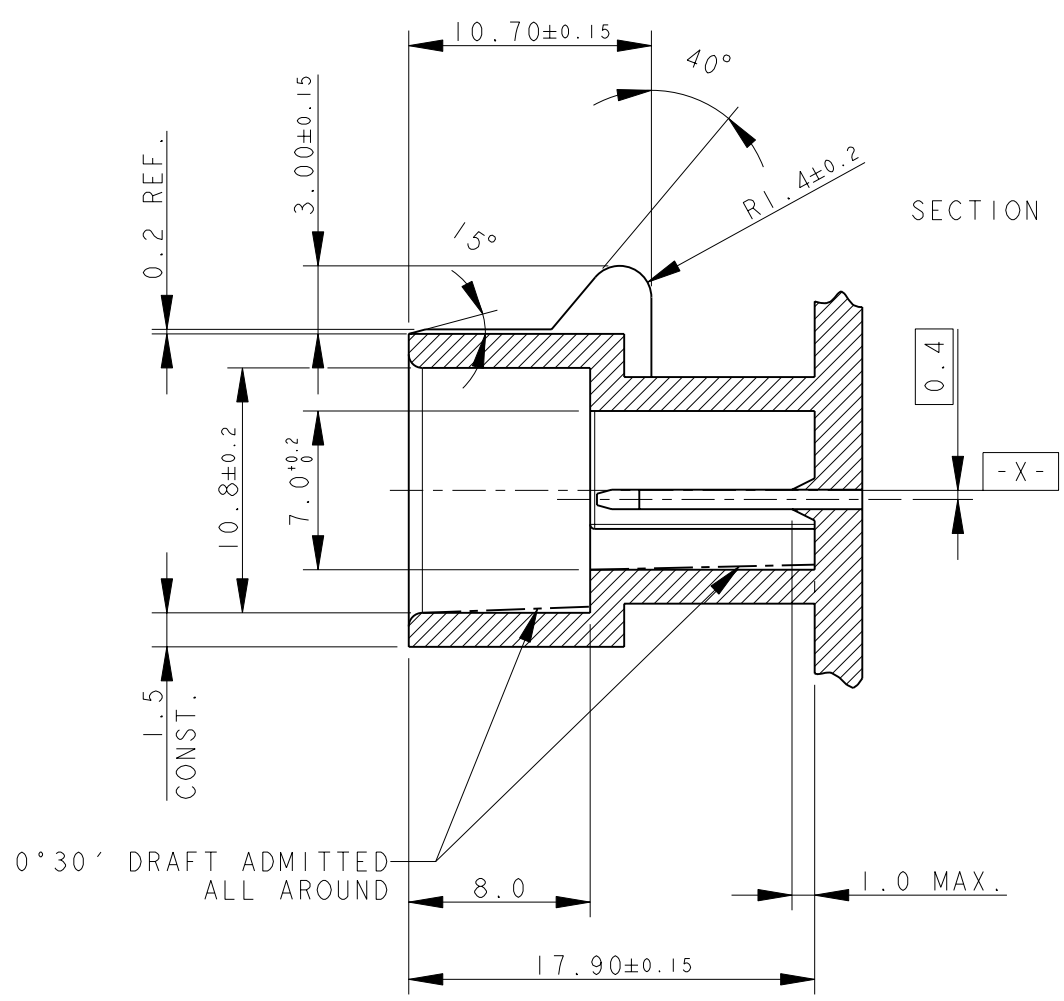
PRE-ASSEMBLED SECONDARY LOCK (RED COLOR)

THIS DRAWING IS A CONTROLLED DOCUMENT.		DWN C. BERTINI 05-1992	 TE Connectivity	
DIMENSIONS: mm		CHK A. BRUNI 05-1992		
TOLERANCES UNLESS OTHERWISE SPECIFIED:		APVD -	NAME AMP SUPERSEAL 1.5 SRS. 2 POSITIONS REC.CONN. ASS'Y	
0 PLC ±-		PRODUCT SPEC 108-20090	SIZE A3	
1 PLC ±0.3		APPLICATION SPEC -	CAGE CODE 00779	DRAWING NO C-282080
2 PLC ±-		WEIGHT 2.6 gr	RESTRICTED TO -	
3 PLC ±-		CUSTOMER DRAWING	SCALE 3:1	SHEET 1
4 PLC ±-			OF 2	REV C5
ANGLES ±2°				
MATERIAL -				
FINISH -				

THIS DRAWING IS UNPUBLISHED. RELEASED FOR PUBLICATION 2011  
 © COPYRIGHT 2011 ALL RIGHTS RESERVED.

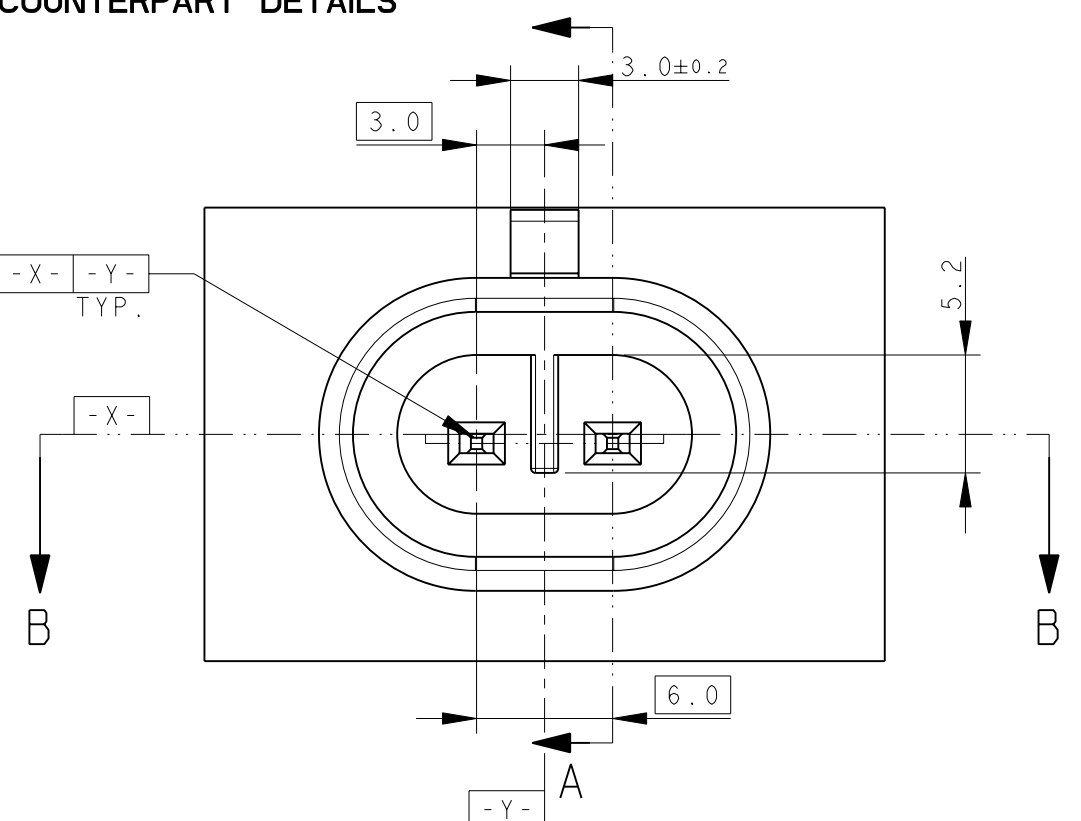
LOC	DIST	REVISIONS			
P	LTR	DESCRIPTION	DATE	DWN	APVD
1	-				

COUNTERPART DETAILS

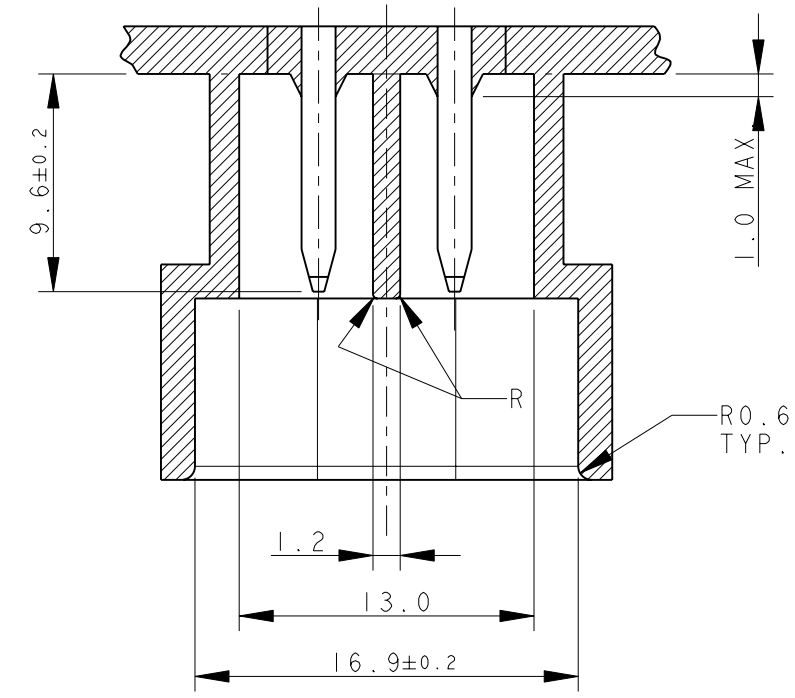


SECTION A - A

⊕ ∅0.2 -X- -Y- TYP.

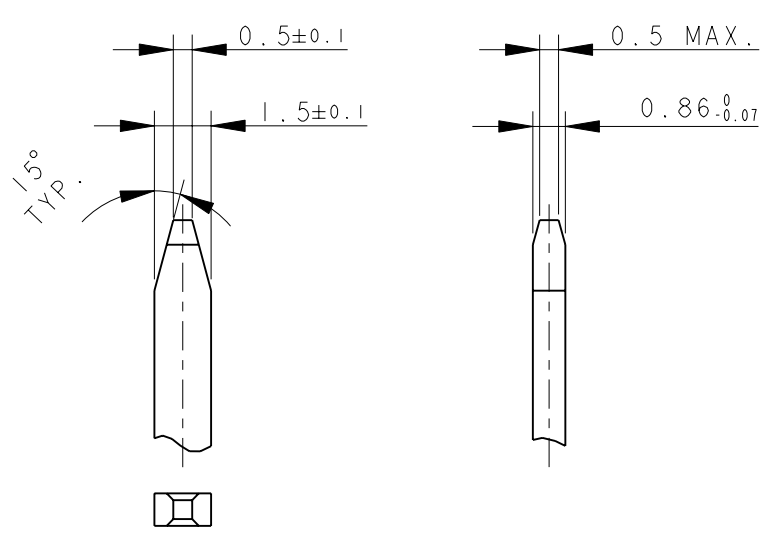


MATERIAL: PA66-GF FOR HOUSING  
 BRASS, TIN PLATED FOR TAB



SECTION B - B

TAB DETAILS



THIS DRAWING IS A CONTROLLED DOCUMENT.		DWN C. BERTINI	05-1992	TE Connectivity	
DIMENSIONS: mm		CHK A. BRUNI	05-1992		
TOLERANCES UNLESS OTHERWISE SPECIFIED:		APVD	-	NAME AMP SUPERSEAL 1.5 SRS. 2 POSITIONS REC.CONN. ASS'Y	
0 PLC ±0.3		PRODUCT SPEC	-	SIZE A300779	
1 PLC ±0.1		APPLICATION SPEC	-	CAGE CODE	C-282080
2 PLC ±0.05		WEIGHT	-	DRAWING NO	RESTRICTED TO
3 PLC ±				SCALE	5:1
4 PLC ±				SHEET	2 OF 2
ANGLES ±1°				REV	C5
MATERIAL				CUSTOMER DRAWING	
FINISH					