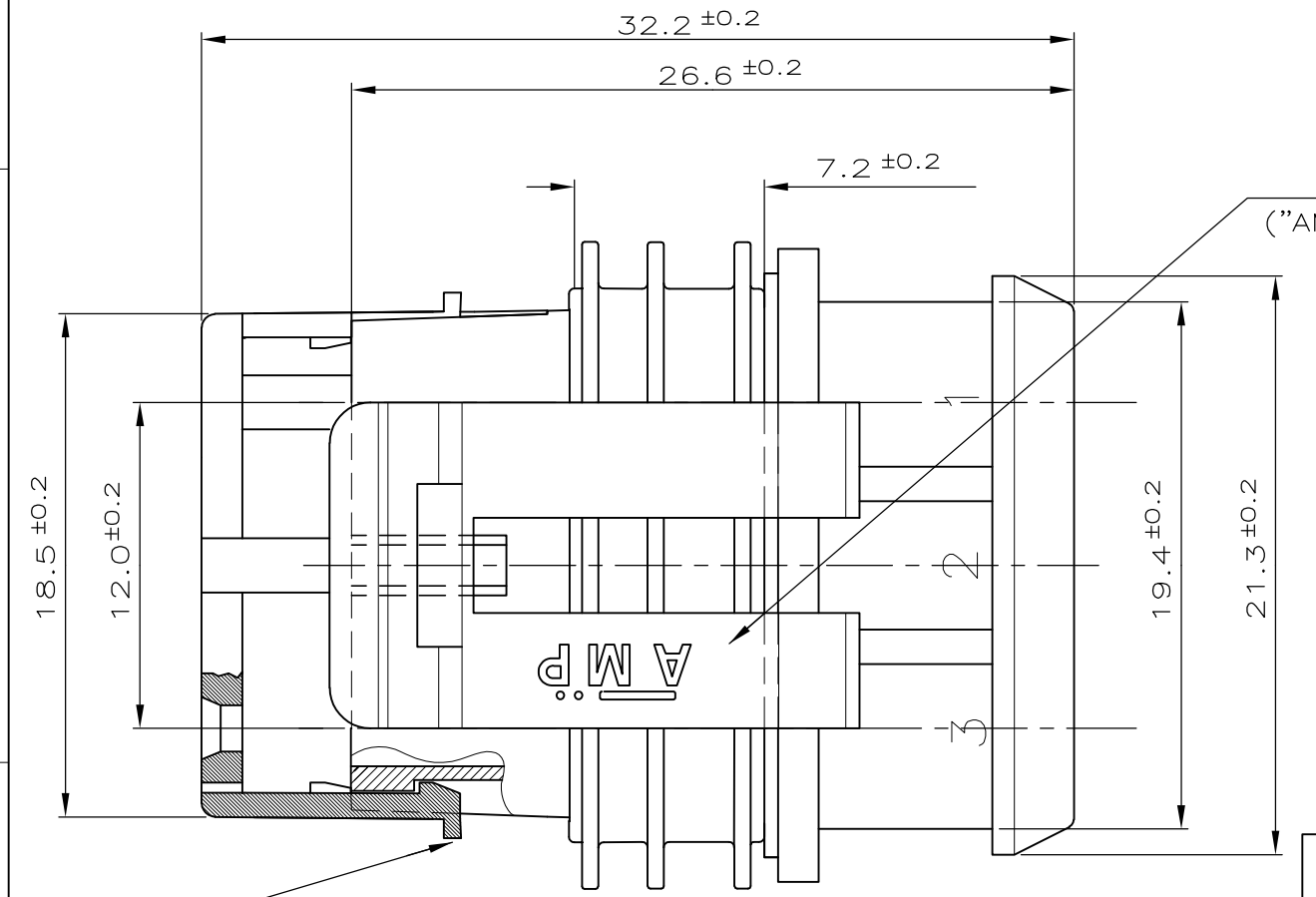
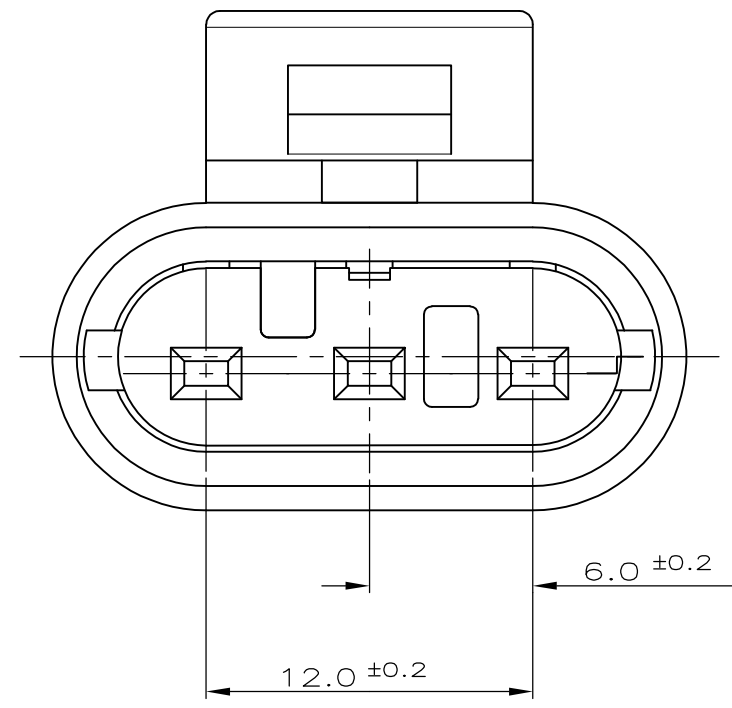
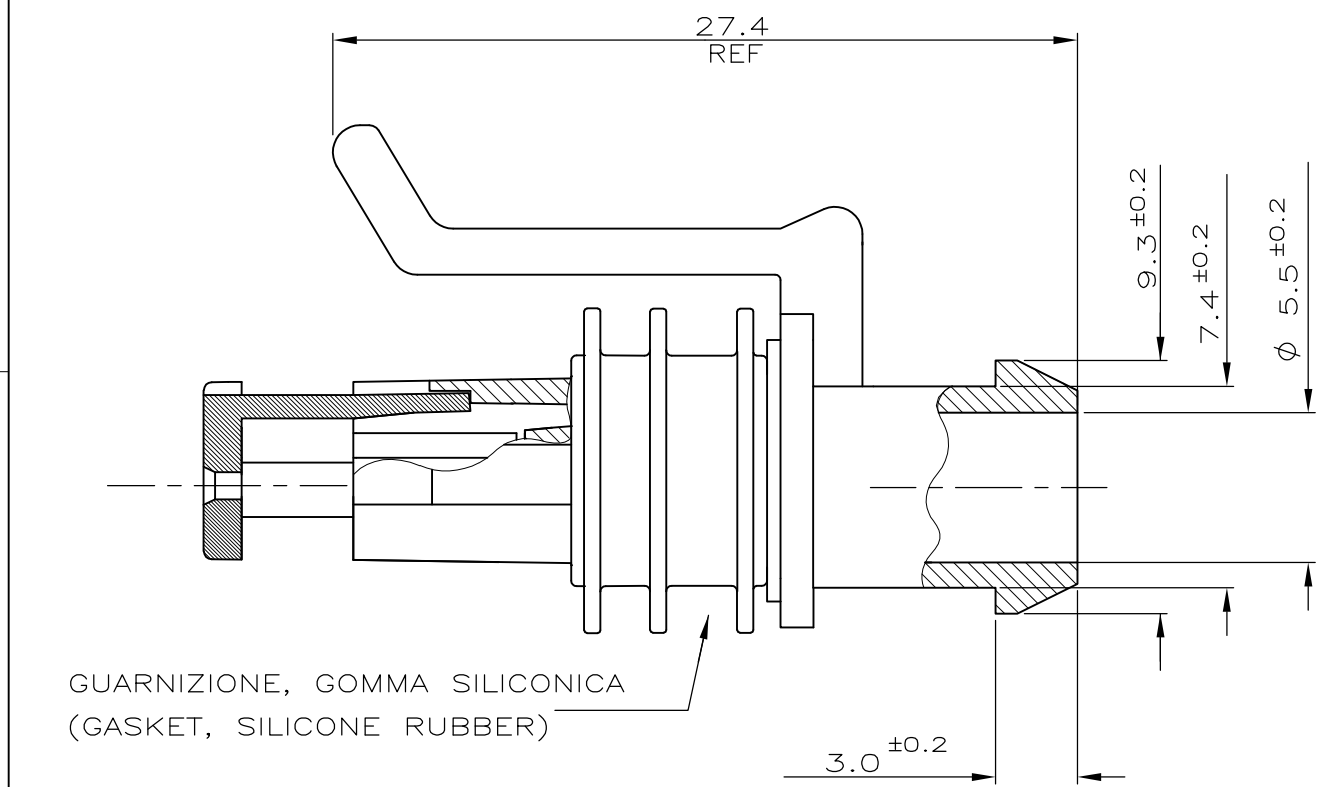


THIS DRAWING IS UNPUBLISHED. RELEASED FOR PUBLICATION  
 © COPYRIGHT - By - ALL RIGHTS RESERVED.

LOC	DIST	REVISIONS			
P	LTR	DESCRIPTION	DATE	DWN	APVD
I	-	B4	REVISED PER ECO-11-005033	2APR11	RK HMR



1) PER RAPPRESENTAZIONE DIMA CONTROPARTE VEDERE FOGLIO 2 DI 2.  
 (FOR COUNTERPART DETAIL SEE SHEET 2 OF 2)

AGGANCIAMENTO SECONDARIO, COLORE ROSSO, PRE-ASSEMBLATO  
 (SECONDARY LOCK, COLOUR RED, IN PRE-ASSEMBLED POSITION)

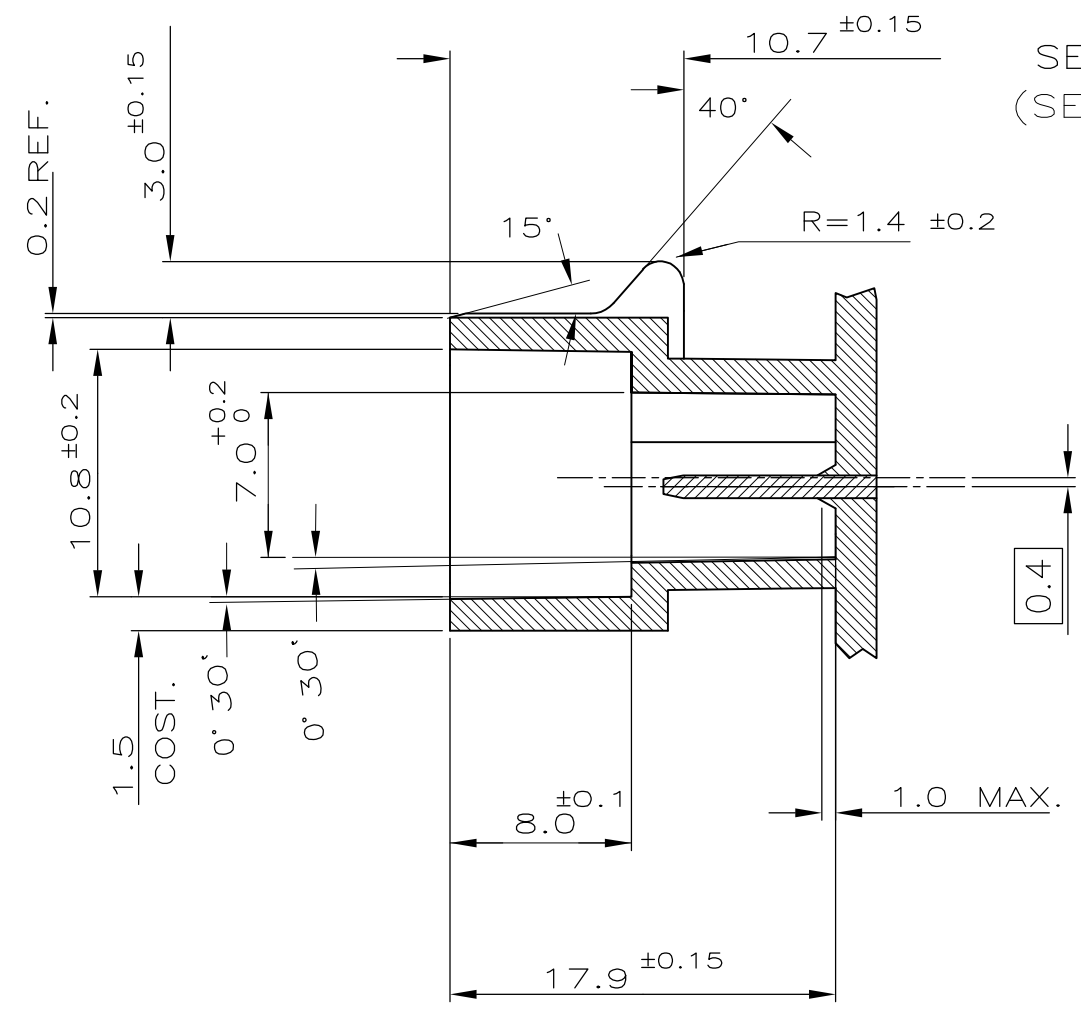
**METRIC**

DIAM. ISOLANTE (INS. DIA. RANGE)	RANGO FILO (WIRE RANGE)
-	-

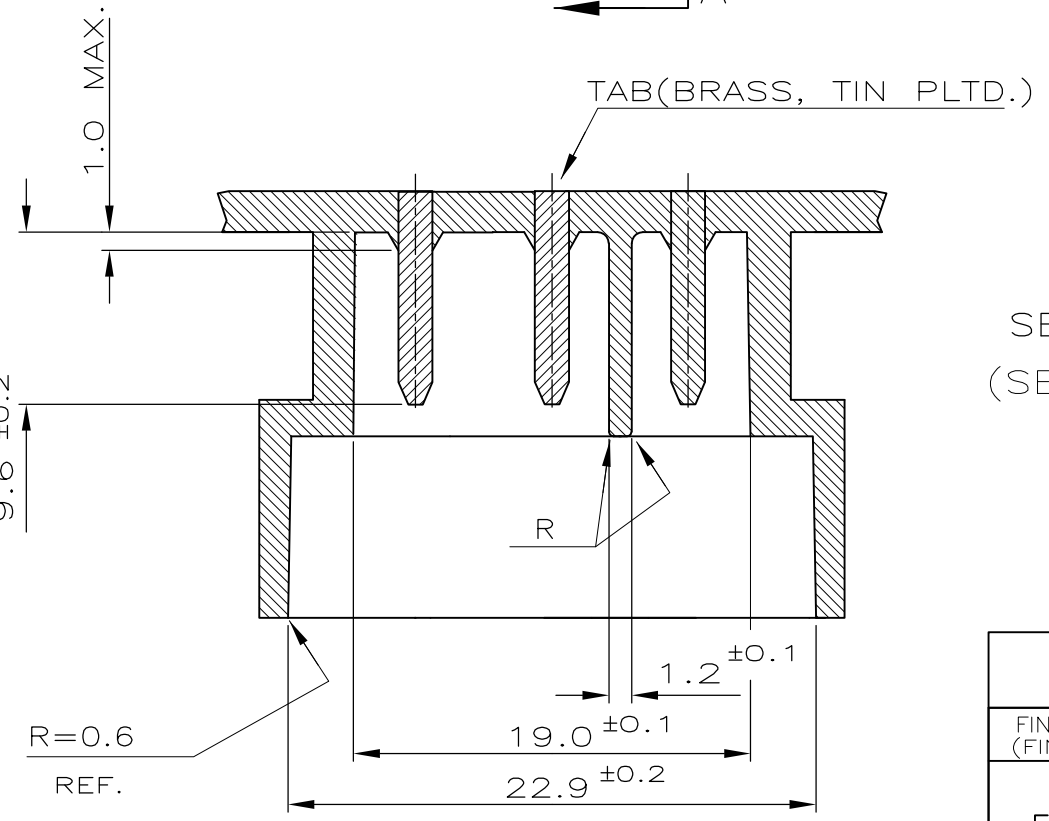
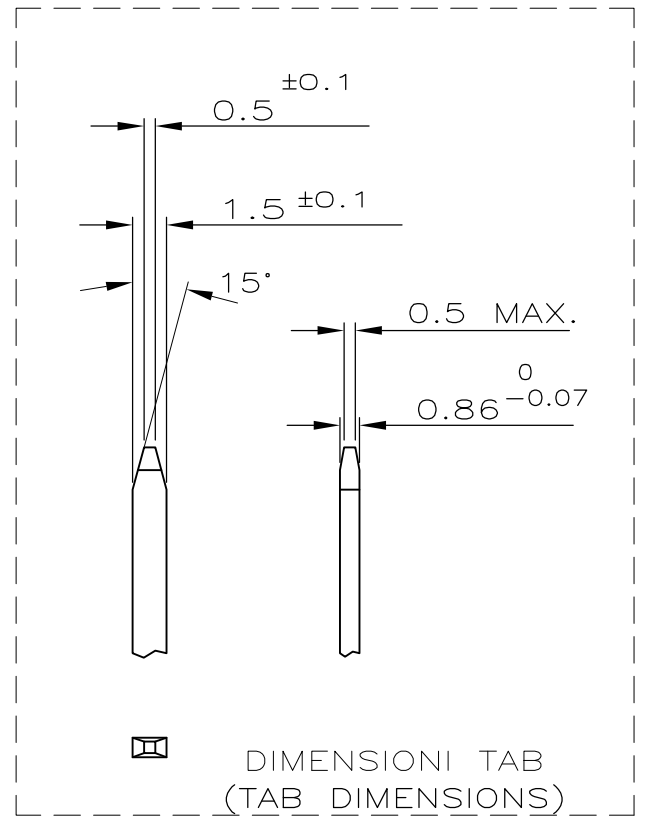
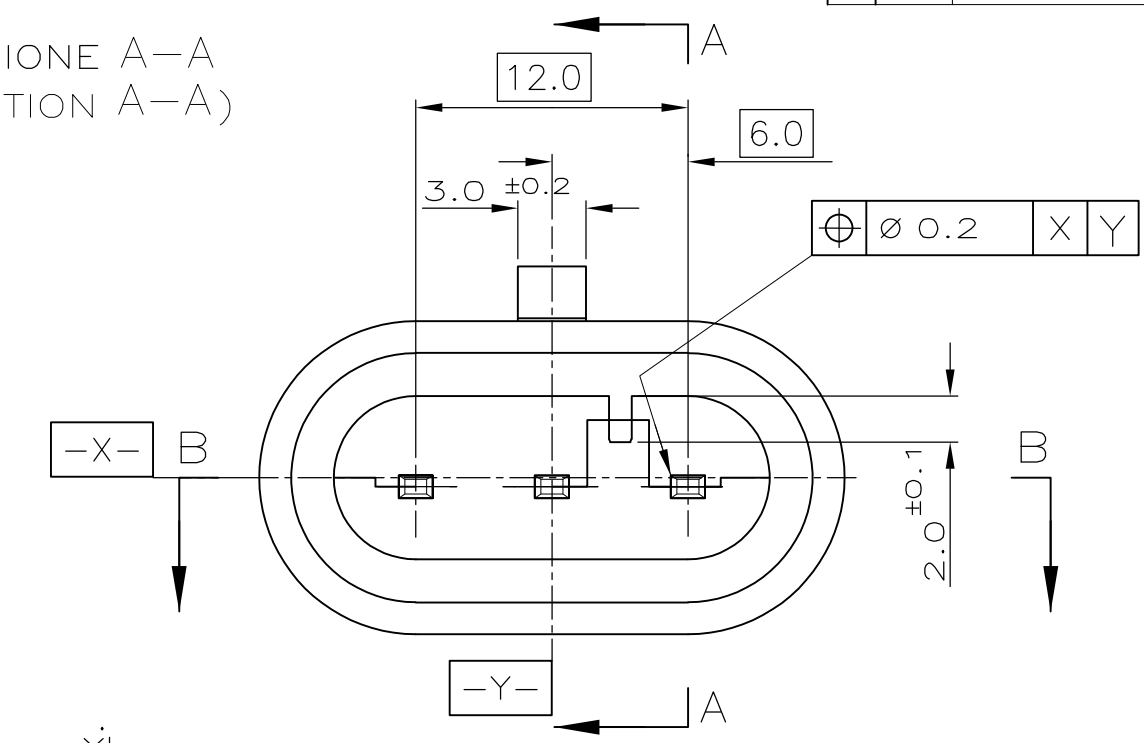
GRIGIO (GREY)	PA 6.6 CAR. VETRO	282087-2
NERO (BLACK)	(PA 6.6 G.F.)	282087-1
FINITURA / COLORE (FINISH / COLOUR)	MATERIALE (MATERIAL)	NUMERO (PART NUMBER)

CUSTOMER DWG. FOR REFERENCE ONLY  
 DISEGNO PER CLIENTE SOLO PER RIFERIMENTO

THIS DRAWING IS A CONTROLLED DOCUMENT.		DWN C.BERTINI 7-'90	TE Connectivity		
DIMENSIONS: mm		CHK -			
TOLERANCES UNLESS OTHERWISE SPECIFIED:		APVD A.BRUNI 7-'90	3 POS.PLUG ASS'Y AMP SUPERSEAL 1.5 SERIES CONN.		
0 PLC ± - 1 PLC ± 0.3 2 PLC ± - 3 PLC ± - 4 PLC ± - ANGLES ± 2'		PRODUCT SPEC -	APPLICATION SPEC -		RESTRICTED TO -
MATERIAL -		WEIGHT -	SIZE A3	CAGE CODE 00779	DRAWING NO C-C-282087
CUSTOMER DRAWING			SCALE -	SHEET 1 OF 2	REV B4



SEZIONE A-A  
(SECTION A-A)



SEZIONE B-B  
(SECTION B-B)

RAPPRESENTAZIONE DIMA CONTROPARTE  
(COUNTERPART DETAIL AS SHOWN)

<b>METRIC</b>	DIAM. ISOLANTE (INS. DIA. RANGE)	RANGO FILO (WIRE RANGE)
	-	-

THIS DRAWING IS A CONTROLLED DOCUMENT.		DWN C.BERTINI	5-92
DIMENSIONS: mm		CHK -	
TOLERANCES UNLESS OTHERWISE SPECIFIED:		APVD A.BRUNI	5-92
0 PLC	± -	PRODUCT SPEC	
1 PLC	± 0.3		
2 PLC	± -	APPLICATION SPEC	
3 PLC	± -		
4 PLC	± -		
ANGLES	± 2'		
MATERIAL	FINISH	WEIGHT	-
-	-		

	PA 6.6 CAR. VETRO (PA 6.6 G.F.)	
FINITURA / COLORE (FINISH / COLOUR)	MATERIALE (MATERIAL)	NUMERO (PART NUMBER)
CUSTOMER DWG. FOR REFERENCE ONLY	DISEGNO PER CLIENTE SOLO PER RIFERIMENTO	



3 POS.PLUG ASS'Y  
AMP SUPERSEAL 1.5 SERIES CONN.

NAME			
SIZE	CAGE CODE	DRAWING NO	RESTRICTED TO
A3	00779	C-282087	-
CUSTOMER DRAWING		SCALE	SHEET 2 OF 2
			REV B4