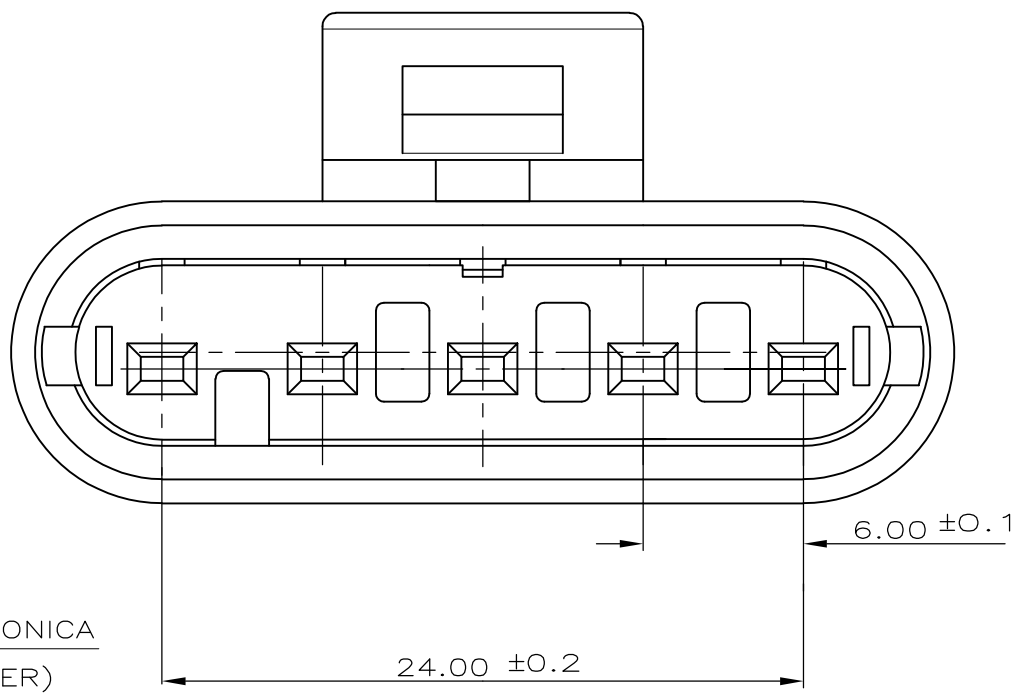
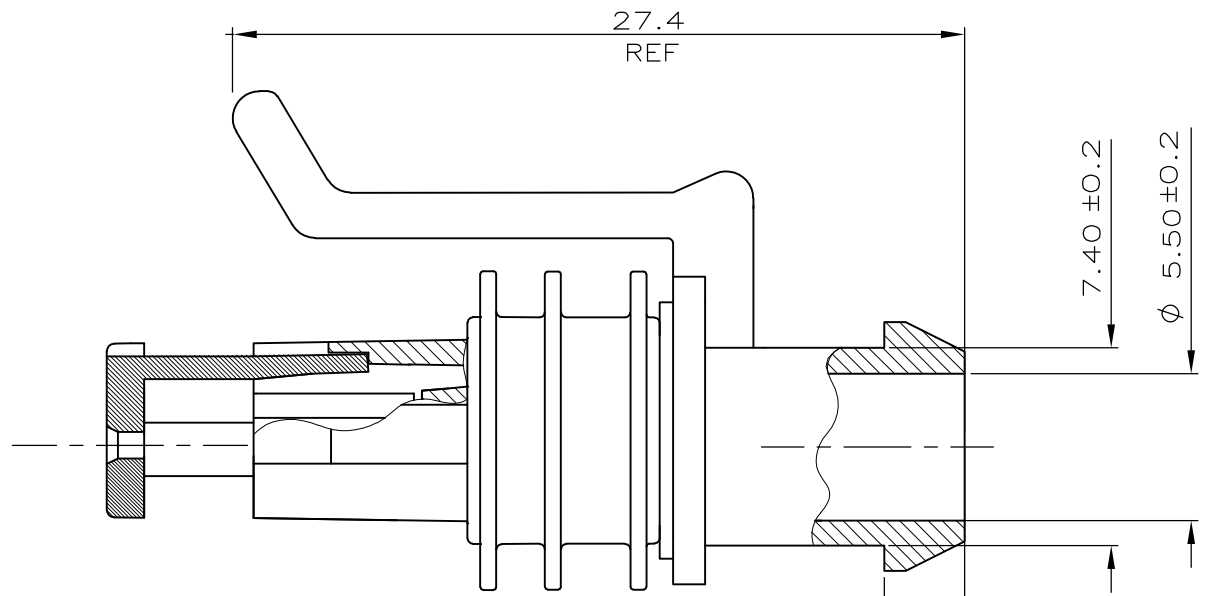
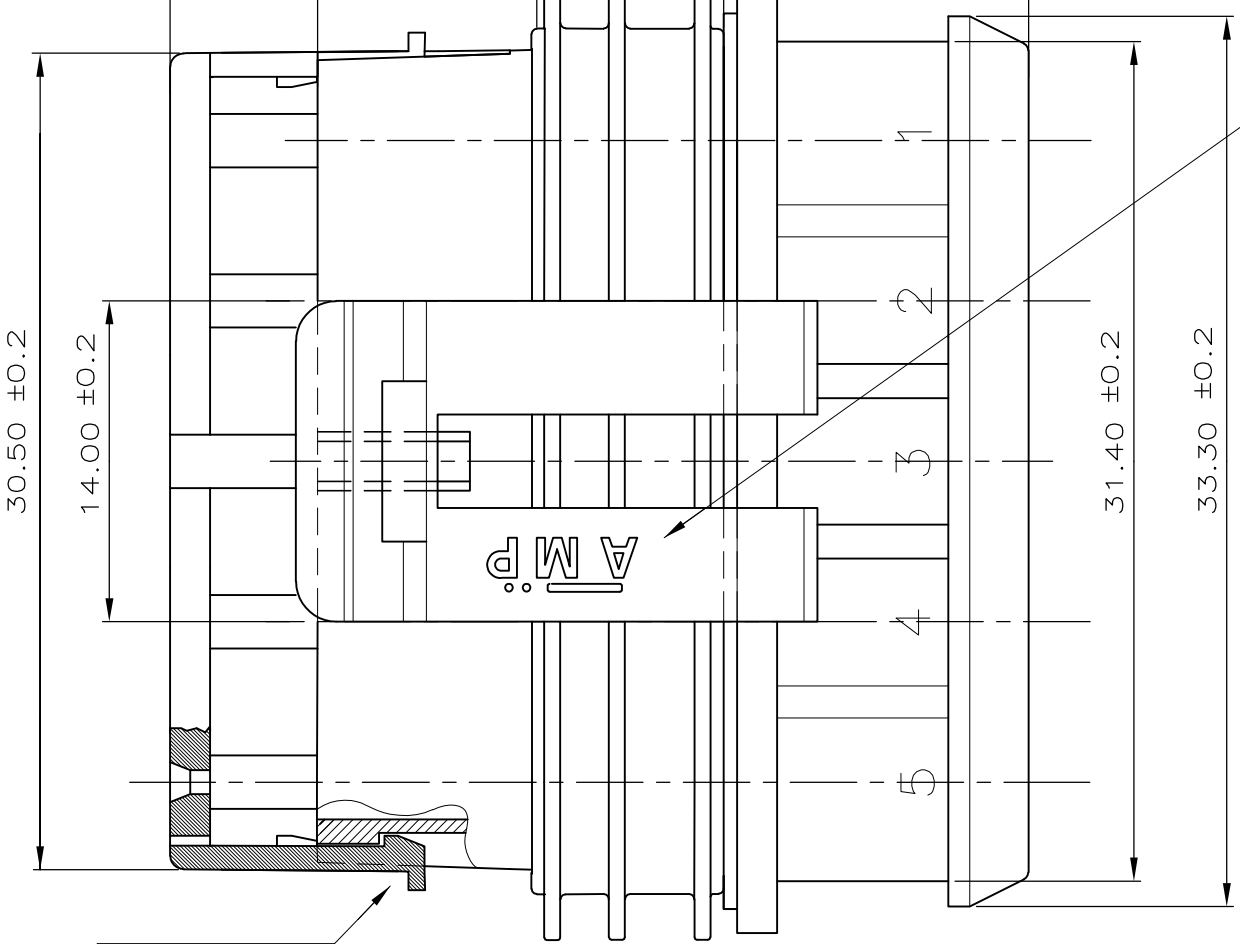


THIS DRAWING IS UNPUBLISHED. RELEASED FOR PUBLICATION
 © COPYRIGHT - By - ALL RIGHTS RESERVED.

REVISIO		DESCRIPTION	DATE	DWN	APVD
P	LTR				
C4		REVISED PER ECO-11-005033	30MAR11	RK	HMR



32.20 ±0.2
 26.60 ±0.2
 7.20 ±0.3
 GUARNIZIONE, GOMMA SILICONICA
 (GASKET, SILICONE RUBBER)



LOGO "AMP"
 ("AMP" TRADE MARK)

1) PER RAPPRESENTAZIONE DIMA CONTROPARTE
 VEDERE FOGLIO 2 DI 2.
 (FOR COUNTERPART DETAIL SEE SHEET 2 OF 2)

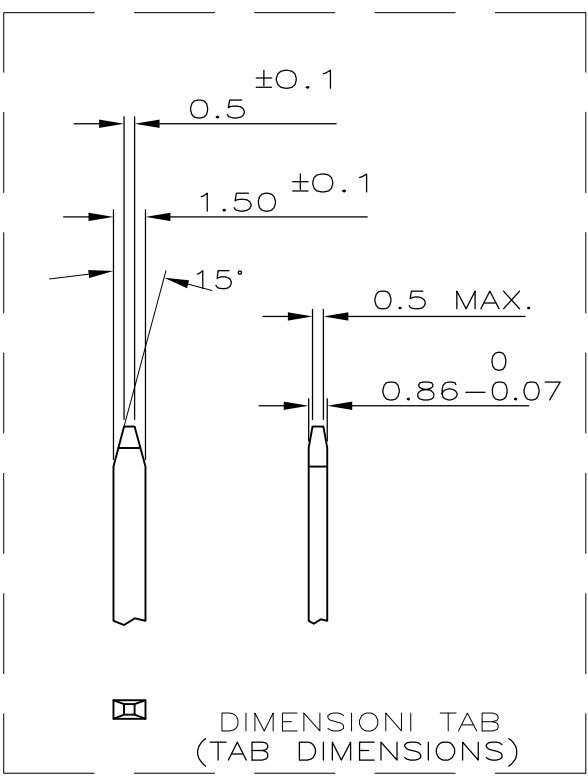
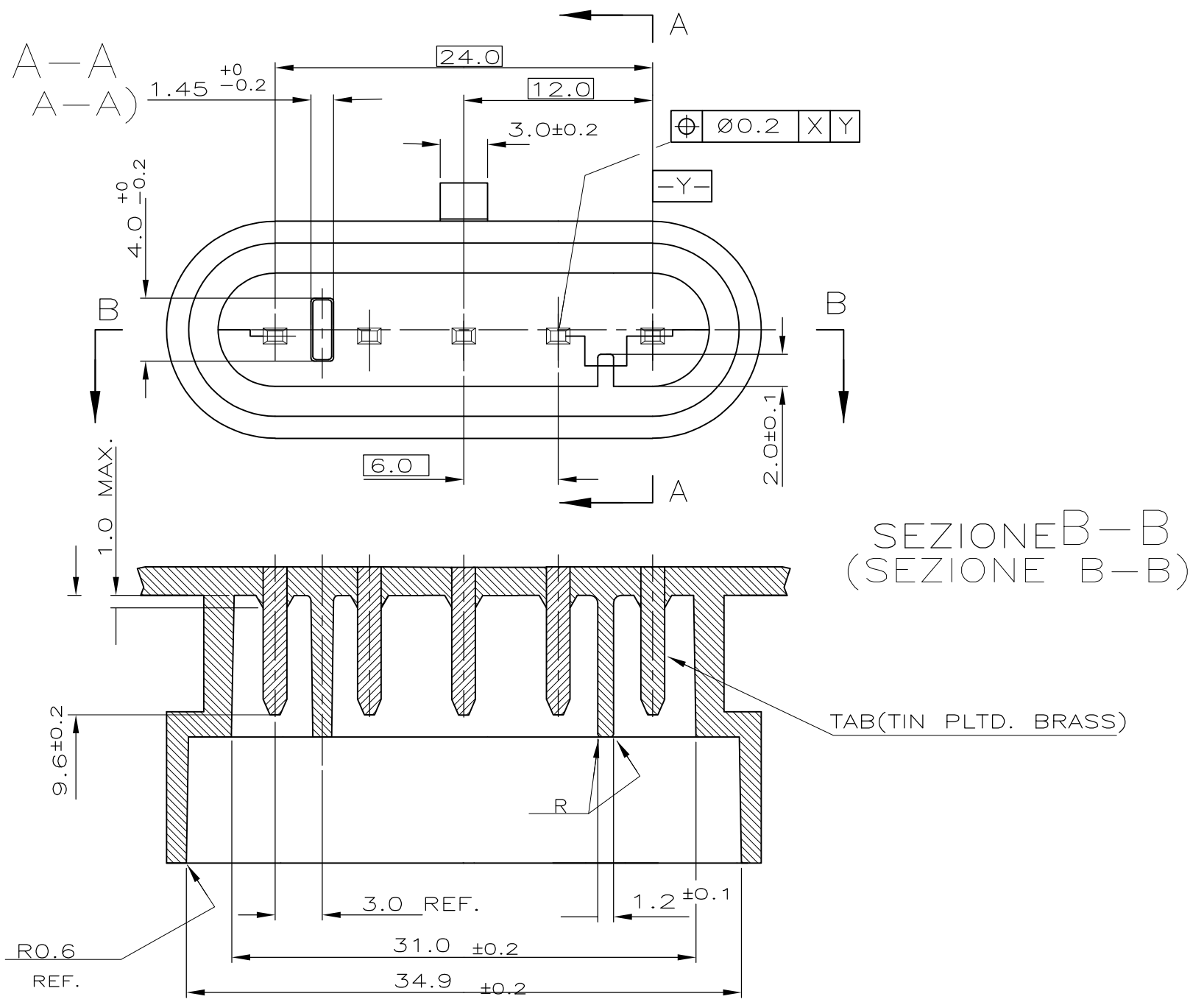
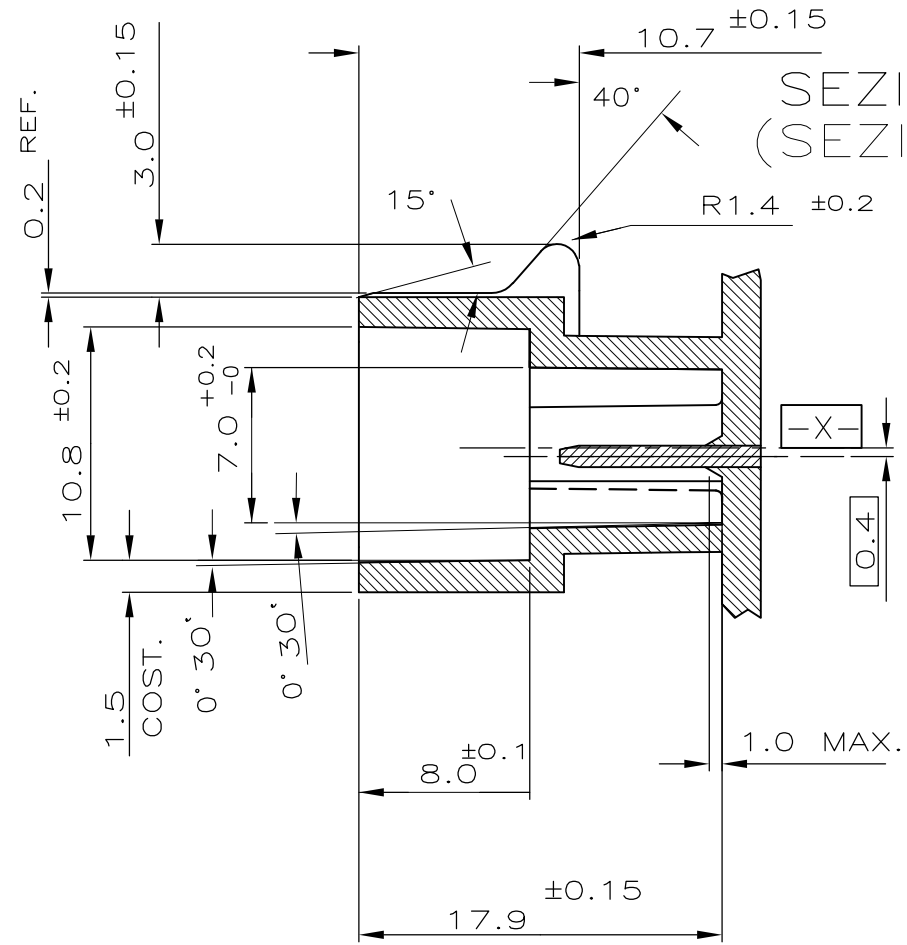
AGGANCI

OBSOLETE	GRIGIO (GREY)	PA 6.6 CAR. VETRO	282089-2
	NERO (BLACK)	(PA 6.6 G.F.)	282089-1
	FINITURA / COLORE (FINISH / COLOUR)	MATERIALE (MATERIAL)	NUMERO (PART NUMBER)

THIS DRAWING IS A CONTROLLED DOCUMENT.		DWN	7-90	 TE Connectivity
DIMENSIONS: mm		CHK	7-90	
TOLERANCES UNLESS OTHERWISE SPECIFIED:		APVD	-	NAME
0 PLC	± -	PRODUCT SPEC	-	5 POS.PLUG ASS'Y
1 PLC	± 0.3	APPLICATION SPEC	-	AMP SUPERSEAL 1.5 SERIES CONNECTORS
2 PLC	± -	WEIGHT	-	SIZE
3 PLC	± -	MATERIAL	-	CAGE CODE
4 PLC	± -	FINISH	-	DRAWING NO
ANGLES	± 2°			RESTRICTED TO
				A3 00779 C=282089
CUSTOMER DWG. FOR REFERENCE ONLY		CUSTOMER DRAWING		SCALE
DISEGNO PER CLIENTE SOLO PER RIFERIMENTO				SHEET 1 of 2
DIAM. ISOLANTE (INS. DIA. RANGE)				REV C4
RANGO FILO (WIRE RANGE)				

THIS DRAWING IS UNPUBLISHED. RELEASED FOR PUBLICATION
 © COPYRIGHT - By - ALL RIGHTS RESERVED.

LOC		DIST		REVISIONS			
P	LTR	DESCRIPTION	DATE	DWN	APVD		
-	-	SEE SHEET 1	-	-	-		



CUSTOMER DWG. FOR REFERENCE ONLY		DISEGNO PER CLIENTE SOLO PER RIFERIMENTO		FINITURA / COLORE (FINISH / COLOUR)		MATERIALE (MATERIAL)		NUMERO (PART NUMBER)	
THIS DRAWING IS A CONTROLLED DOCUMENT.				DWN	5-92	PA 6.6 CAR. VETRO (PA 6.6 G.F.)			
				CHK	5-92	MATERIALE (MATERIAL)			
				APVD	-	C=282089			
DIMENSIONS: mm		TOLERANCES UNLESS OTHERWISE SPECIFIED:		NAME		CAGE CODE		DRAWING NO	
		0 PLC ± -		TE Connectivity		A3 00779		RESTRICTED TO	
		1 PLC ± 0.3		COUNTERPART FOR FIVE POS.REC.HSG.ASS'Y		C=282089			
		2 PLC ± -		SCALE		SHEET		REV	
		3 PLC ± -		-		2 of 2		C4	
		4 PLC ± -		CUSTOMER DRAWING					
		ANGLES ± 2°							
MATERIAL		FINISH							

METRIC	DIAM. ISOLANTE (INS. DIA. RANGE)	RANGO FILO (WIRE RANGE)
	-	-