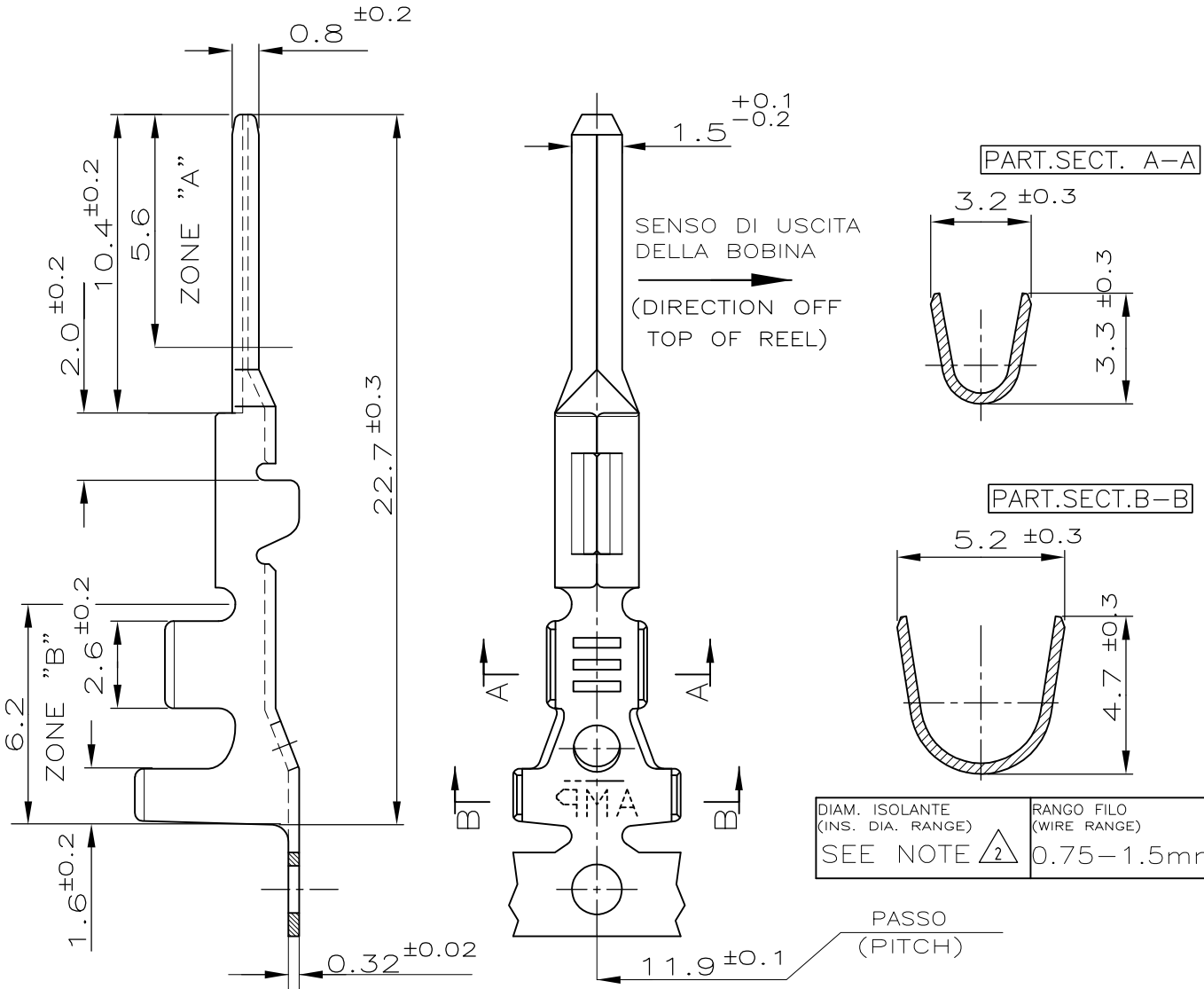


| LOC | | DIST | | REVISIONS | | | DATE | DWN | APVD |
|-----|--|------|-----|---------------------------|--|--|--------|-----|------|
| | | P | LTR | DESCRIPTION | | | | | |
| | | | E6 | REVISED PER ECO-11-005033 | | | 2APR11 | RK | HMR |



| | |
|----------------------------------|-------------------------|
| DIAM. ISOLANTE (INS. DIA. RANGE) | RANGO FILO (WIRE RANGE) |
| SEE NOTE 2 | 0.75-1.5mm ² |

2 ADATTO PER GOMMINO AMP P/N 281934-... (SUITABLE FOR SINGLE WIRE SEAL AMP P/N 281934-...)

1 SOLO PER PRODUZIONE AMP GERMANY: DORATURA 0.8µm NELLA "ZONA A", STAGNATURA NELLA "ZONA B" E NICHELATURA SU TUTTO IL CONTATTO.

(FOR AMP GERMANY PRODUCTION ONLY: GOLD PLTD 0.8µm OVER "ZONE A", TIN PLTD OVER "ZONE B" AND NICKEL UNDERPLATING ALL OVER)

| | | |
|-------------------------------------|-------------------------------|----------------------|
| PRE STAGNATO (PRE-TIN) | BRONZO FOSF. (PHOSPH. BRONZE) | 282109-5 |
| DORATO (GOLD PLTD) 1 | OTTONE (BRASS) | 282109-3 |
| PRE STAGNATO (PRE-TIN) | OTTONE (BRASS) | 282109-1 |
| FINITURA / COLORE (FINISH / COLOUR) | MATERIALE (MATERIAL) | NUMERO (PART NUMBER) |


RELEASED FOR PUBLICATION

ALL RIGHTS RESERVED.

THIS DRAWING IS UNPUBLISHED.

© COPYRIGHT - By -

DIMENSIONS: mm

| | | |
|------------------------|--|---------------|
| DWN Bassano 09 NOV.90 | MATERIAL | FINISH |
| CHK BERTINI 09 NOV.90 |  TE Connectivity | |
| APVD A.BRUNI 09 NOV.90 | | |
| PRODUCT SPEC | NAME | |
| APPLICATION SPEC | MINI MIC SRS TAB CONTACT | |
| WEIGHT | SIZE | CAGE CODE |
| | A4 | 00779 |
| | DRAWING NO | RESTRICTED TO |
| | C-282109 | |

CUSTOMER DRAWING SCALE 5:1 SHEET 1 OF 1 REV E6