

**METRIC**

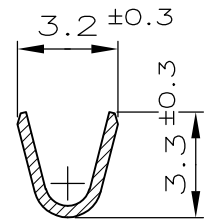
LOC  
I

DIST  
—

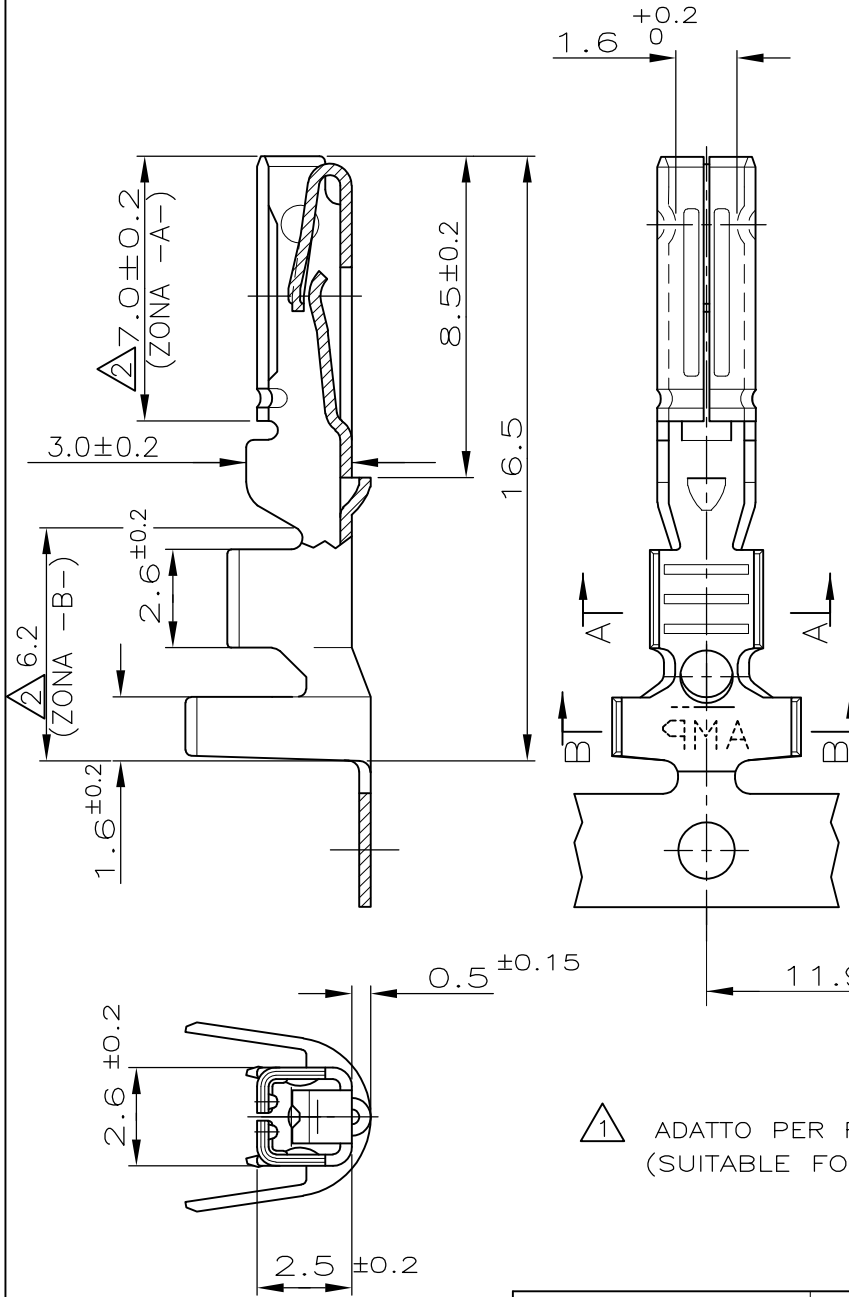
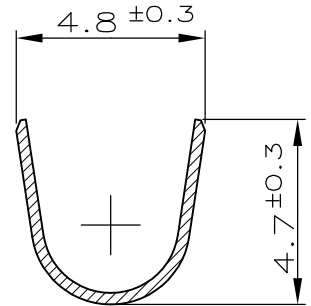
REVISIONS

P	LTR	DESCRIPTION	DATE	DWN	APVD
	D1	REVISED PER ECO-11-005033	2APR11	RK	HMR

PART.SECT. A-A



PART.SECT. B-B



△ ADATTO PER RUBBER PLUG 281934-...  
(SUITABLE FOR WIRE SEAL 281934-...)

DIAM. ISOLANTE  
(INS. DIA. RANGE)



RANGO FILO  
(WIRE RANGE)

0.75-1.5mm<sup>2</sup>

PRE-STAGNATO/PRE-TIN	BRONZO FOSF./PH. BRONZE	282110-1
FINITURA / COLORE (FINISH / COLOUR)	MATERIALE (MATERIAL)	NUMERO (PART NUMBER)
CUSTOMER DRAWING FOR REFERENCE ONLY		DISEGNO PER CLIENTE SOLO PER RIFERIMENTO

DIMENSIONS:

mm

DWN Bassano 9 NOV.90

MATERIAL - FINISH -

CHK Bertini 9 NOV.90

APVD -

PRODUCT SPEC -

APPLICATION SPEC -

WEIGHT -

**TE** TE Connectivity

NAME: MINI MIC SRS REC. CONTACT

SIZE	CAGE CODE	DRAWING NO	RESTRICTED TO
A4	00779	C-282110	-

CUSTOMER DRAWING SCALE 5:1 SHEET 1 OF 1 REV D1

THIS DRAWING IS UNPUBLISHED. ALL RIGHTS RESERVED. RELEASED FOR PUBLICATION - By -

0 PLC	± -
1 PLC	± 0.3
2 PLC	± -
3 PLC	± -
4 PLC	± -
ANGLES	± 2°

