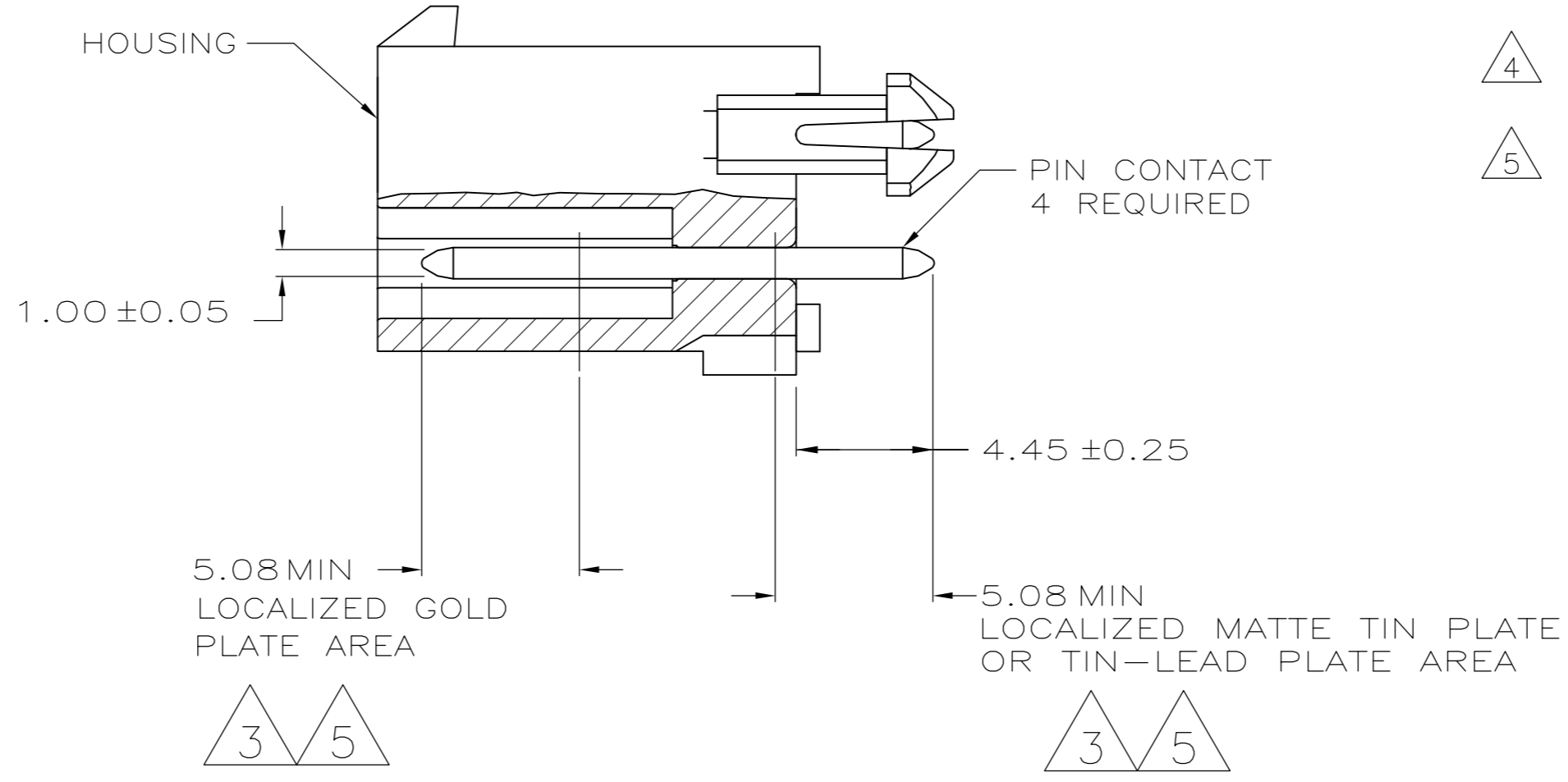
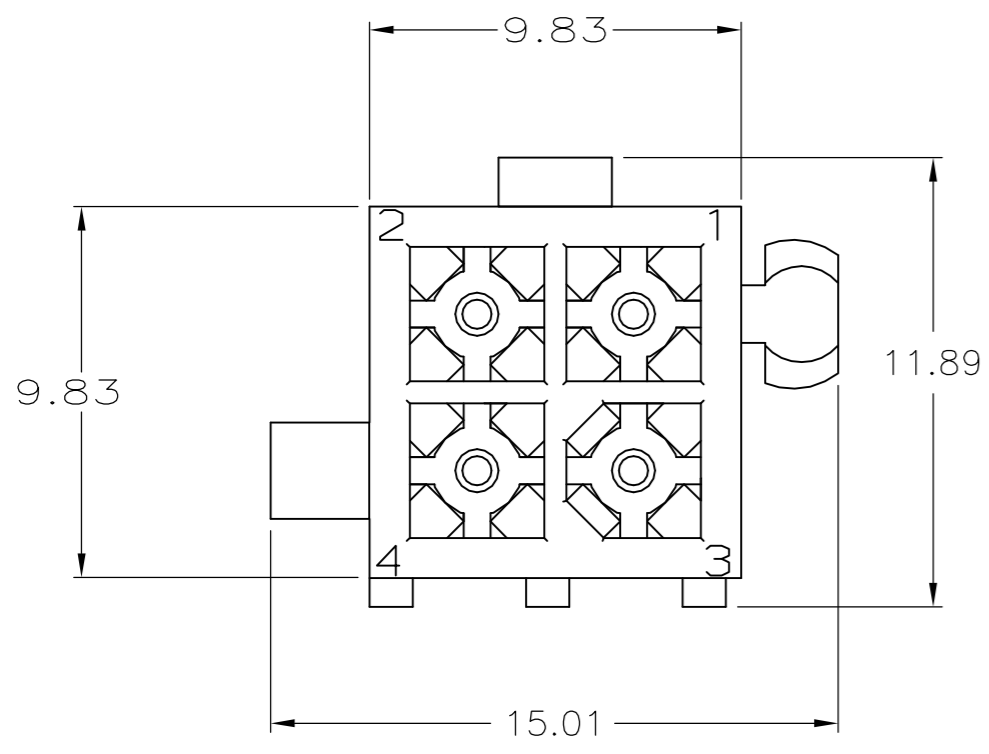
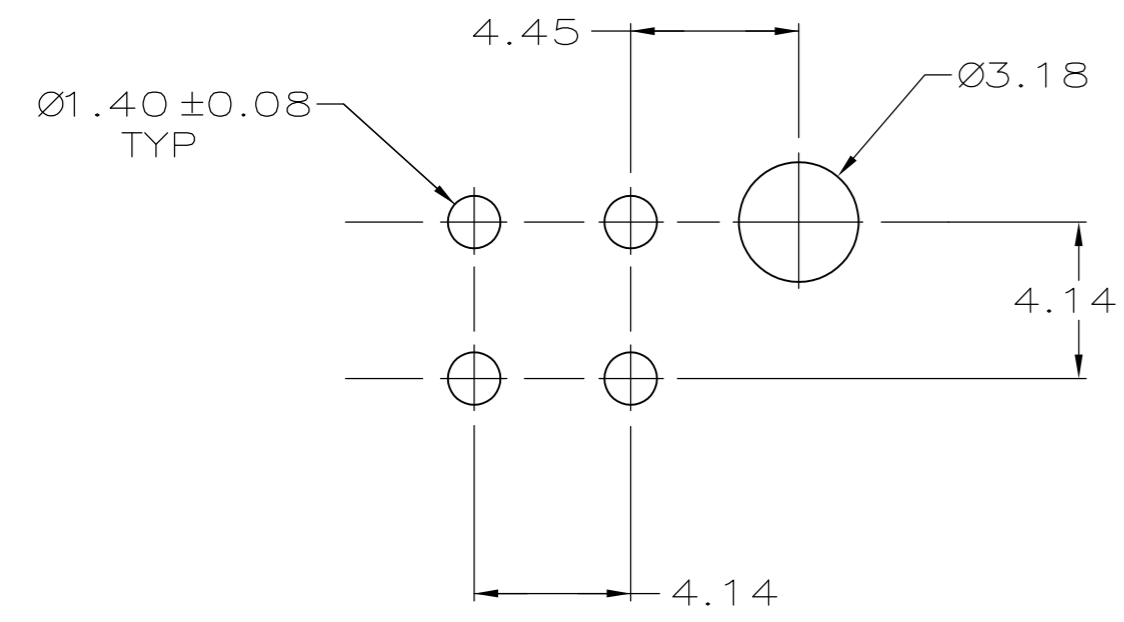


THIS DRAWING IS UNPUBLISHED. RELEASED FOR PUBLICATION  
 © COPYRIGHT - By - ALL RIGHTS RESERVED.

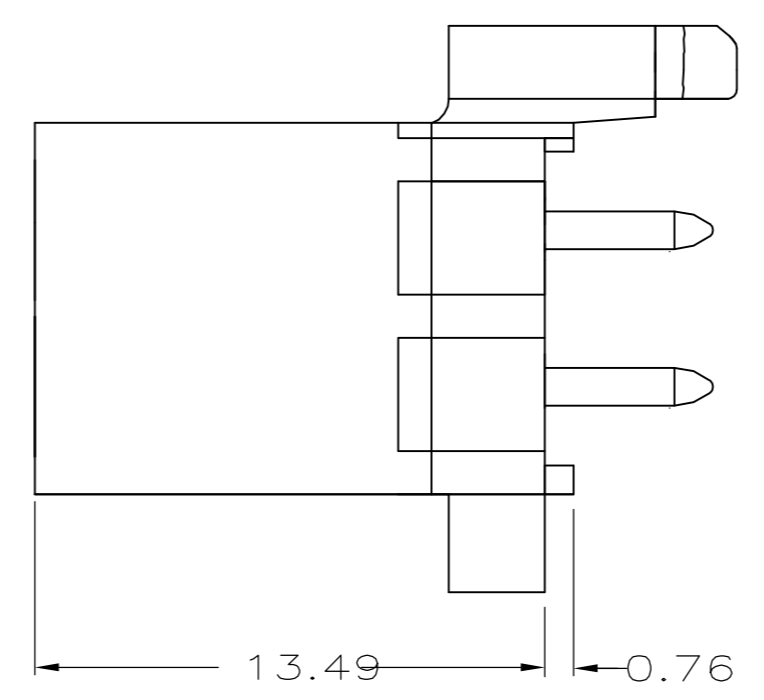
| LOC | DIST | REVISIONS |     |                           |         |     |      |
|-----|------|-----------|-----|---------------------------|---------|-----|------|
| CM  | 0    | P         | LTR | DESCRIPTION               | DATE    | DWN | APVD |
|     |      | L2        |     | REVISED PER ECO-11-004587 | 11MAR11 | RK  | HMR  |



- 1 PINS TO COMPLY WITH AMP SOLDERABILITY SPEC. 109-11-3.
- △2 0.00381 MIN MATTE TIN LEAD PLATE OVER 0.00127 MIN NICKEL.
- △3 0.00076 MIN GOLD PLATE IN THE LOCALIZED PLATE AREA, 0.00381 MATTE TIN LEAD IN THE LOCALIZED PLATE AREA, BOTH OVER 0.00127 MIN NICKEL.
- △4 0.00381 MIN MATTE TIN PLATE OVER 0.00127 MIN NICKEL.
- △5 0.00076 MIN GOLD PLATE IN THE LOCALIZED PLATE AREA, 0.00381 MATTE TIN IN THE LOCALIZED PLATE AREA, BOTH OVER 0.00127 MIN NICKEL.



RECOMMENDED LAYOUT FOR 1.57 THICK BOARD  
 TOLERANCES NON-ACCUMULATIVE



|                 |        |                |       |            |
|-----------------|--------|----------------|-------|------------|
| BRASS, TIN      | △4     | NYLON, UL94V-0 | BLACK | 5-770174-0 |
| BRASS, GOLD     | △5     | NYLON, UL94V-0 | WHITE | 1-770174-1 |
| BRASS, TIN      | △4     | NYLON, UL94V-0 | WHITE | 1-770174-0 |
| BRASS, GOLD     | △3     | NYLON, UL94V-0 | WHITE | 770174-2   |
| BRASS, TIN-LEAD | △2     | NYLON, UL94V-0 | WHITE | 770174-1   |
| MATERIAL        | FINISH | MATERIAL       | COLOR | PART NO.   |
| PIN             |        | HOUSING        |       |            |

|  |  |                               |  |               |
|--|--|-------------------------------|--|---------------|
| THIS DRAWING IS A CONTROLLED DOCUMENT.   |  | DWN<br>S CARPENTER<br>08JUN05 |  |               |
| DIMENSIONS: mm   |  | CHK<br>R JONES<br>28/JUL2003  |  |               |
| TOLERANCES UNLESS OTHERWISE SPECIFIED:   |  | APVD<br>R JONES<br>28/JUL2003 | NAME   |               |
| 0 PLC ± -<br>1 PLC ± -<br>2 PLC ± 0.13<br>3 PLC ± -<br>4 PLC ± -<br>ANGLES ± - |  | PRODUCT SPEC                  | HEADER ASSEMBLY, 4 CKT,<br>MINI UNIVERSAL MATE-N-LOK |               |
| MATERIAL   |  | APPLICATION SPEC              | SIZE   | RESTRICTED TO |
| FINISH   |  | WEIGHT                        | A2 00779   |               |
|  |  | CUSTOMER DRAWING              | SCALE 5:1  | SHEET 1 of 1  |
|  |  |                               | DRAWING NO. C=770174                                 | REV L2        |