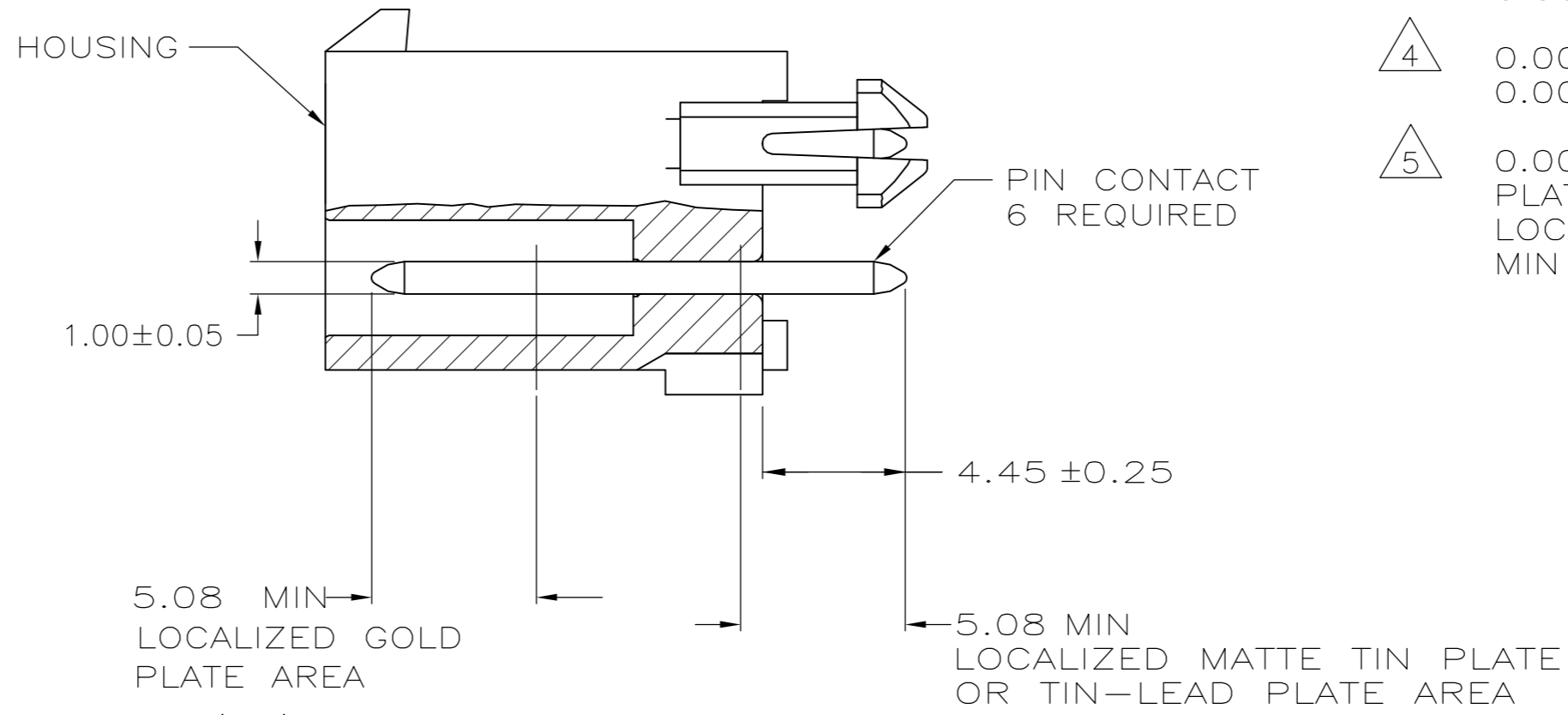
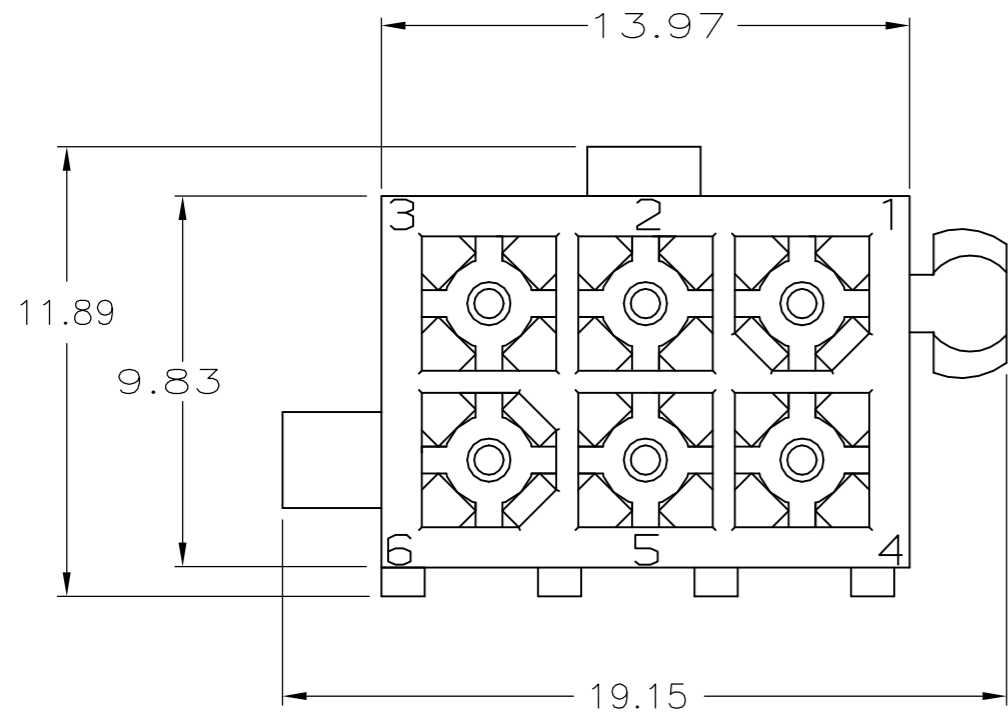
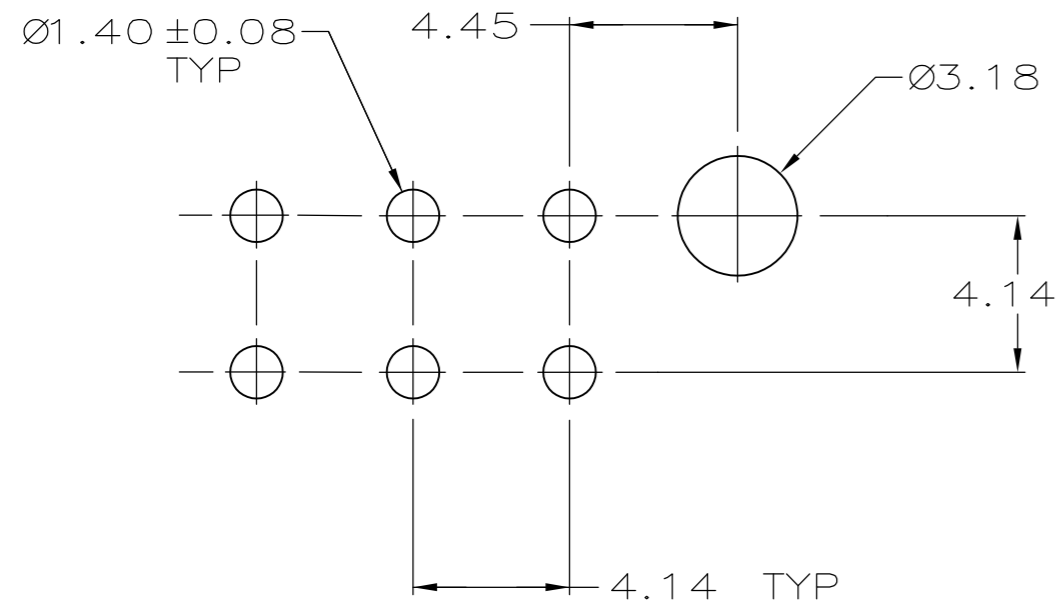


THIS DRAWING IS UNPUBLISHED. RELEASED FOR PUBLICATION
 © COPYRIGHT - By - ALL RIGHTS RESERVED.

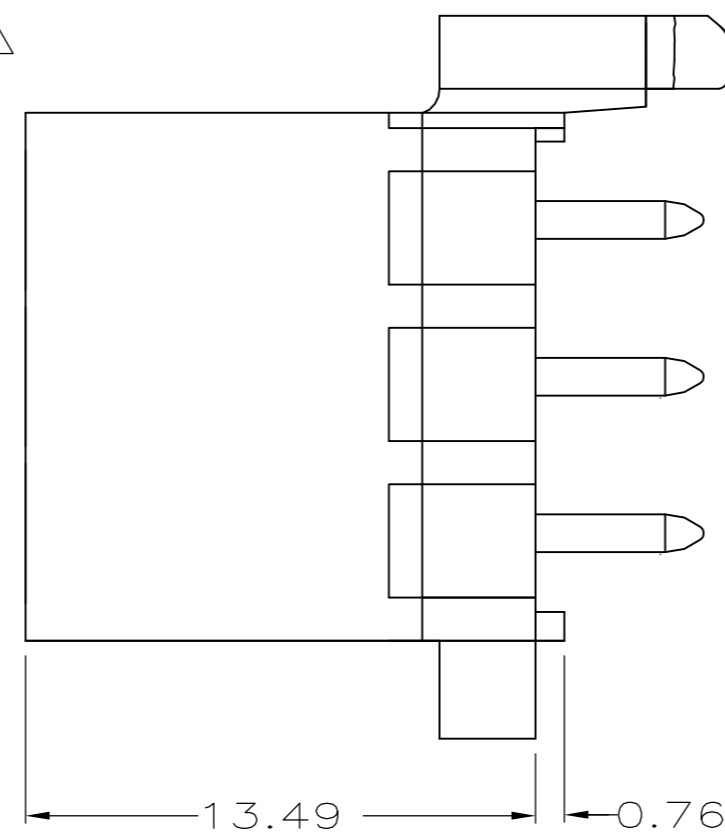
LOC	DIST	REVISIONS					
		P	LTR	DESCRIPTION	DATE	DWN	APVD
CM	0	L2		REVISED PER ECO-11-004587	11MAR11	RK	HMR



- 1 PINS TO COMPLY WITH AMP SOLDERABILITY SPEC. 109-11-3.
- 2 0.00381 MIN MATTE TIN LEAD PLATE OVER 0.00127 MIN NICKEL.
- 3 0.00076 MIN GOLD PLATE IN THE LOCALIZED PLATE AREA, 0.00381 MATTE TIN LEAD IN THE LOCALIZED PLATE AREA, BOTH OVER 0.00127 MIN NICKEL.
- 4 0.00381 MIN MATTE TIN PLATE OVER 0.00127 MIN NICKEL.
- 5 0.00076 MIN GOLD PLATE IN THE LOCALIZED PLATE AREA, 0.00381 MATTE TIN IN THE LOCALIZED PLATE AREA, BOTH OVER 0.00127 MIN NICKEL.



RECOMMENDED LAYOUT FOR 1.57 THICK BOARD
 TOLERANCES NON-ACCUMULATIVE



BRASS, TIN	4	NYLON, UL94V-0	BLACK	5-770178-0
BRASS, GOLD	5	NYLON, UL94V-0	WHITE	1-770178-1
BRASS, TIN	4	NYLON, UL94V-0	WHITE	1-770178-0
BRASS, GOLD	3	NYLON, UL94V-0	WHITE	770178-2
BRASS, TIN-LEAD	2	NYLON, UL94V-0	WHITE	770178-1
MATERIAL	FINISH	MATERIAL	COLOR	PART NO.
PIN		HOUSING		

THIS DRAWING IS A CONTROLLED DOCUMENT.		DWN	08JUN05		
DIMENSIONS: mm		CHK	28JUL2003		
TOLERANCES UNLESS OTHERWISE SPECIFIED:		APVD	28JUL2003		
0 PLC ± - 1 PLC ± - 2 PLC ± 0.13 3 PLC ± - 4 PLC ± - ANGLES ± -		NAME			
MATERIAL		PRODUCT SPEC		HEADER ASSEMBLY, 6 CKT, MINI UNIVERSAL, MATE-N-LOK	
FINISH		APPLICATION SPEC		SIZE	RESTRICTED TO
		WEIGHT		A2	
		CUSTOMER DRAWING		CAGE CODE	DRAWING NO
				00779	C=770178
				SCALE	SHEET
				5:1	1 of 1
				REV	L2