

Specification Status: Released

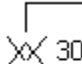
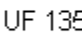

Maximum Electrical Rating at 20°C

30 V_{DC} / 100 A_{DC}
30 V_{AC} / 70 A_{RMS}

Insulating Material:
Cured, Flame Retardant Epoxy Polymer
meets UL94 V-0 Requirements

Lead Material:
24 AWG Tin Plated Copper Clad Steel

Marking:

- 
Manufacturer's Mark and Voltage
- 
Part Identification
- 
Lot Identification (can be on back)

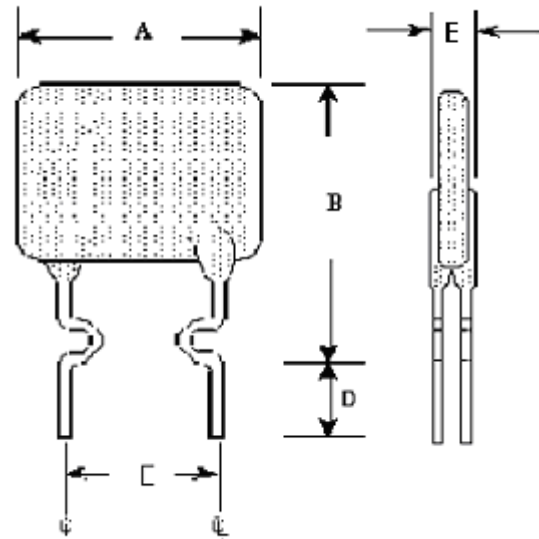


TABLE I. DIMENSIONS:

| | A | | B | | C | | D | | E | |
|------|-----|--------|-----|--------|--------|--------|--------|-----|-----|--------|
| | MIN | MAX | MIN | MAX | MIN | MAX | MIN | MAX | MIN | MAX |
| mm: | -- | 8.9 | -- | 13.5 | 4.3 | 5.8 | 7.6 | -- | -- | 3.0 |
| in*: | -- | (0.35) | -- | (0.53) | (0.17) | (0.23) | (0.30) | -- | -- | (0.12) |

*Rounded off approximation

TABLE II. PERFORMANCE RATINGS:

| I HOLD | CURRENT RATINGS | | TIME TO TRIP | RESISTANCE | | ONE-HOUR POST-TRIP RESISTANCE STANDARD TRIP | NOMINAL TRIPPED POWER DISSIPATION |
|--------|-----------------|--------------------------|-----------------------------|------------------|------------------|---|-----------------------------------|
| | AMPS 20°C HOLD | AMPS AT 20°C HOLD TRIP | SECONDS AT 20°C, 6.75.A MAX | OHMS AT 20°C MIN | OHMS AT 20°C MAX | OHMS AT 20°C MAX | WATTS AT 20°C |
| 1.35 | 1.35 | 2.70 | 7.3 | 0.04 | 0.08 | 0.13 | 0.8 |

Agency Recognitions:
Reference Documents:
Precedence:
Effectivity:
CAUTION:

UL, CSA, TUV
PS300
This specification takes precedence over documents referenced herein.
Reference documents shall be the issue in effect on the date of invitation for bid.
Operation beyond the rated voltage or current may result in rupture, electrical arcing or flame.

Materials Information

ROHS Compliant **ELV Compliant** **Pb-Free**

Directive 2002/95/EC Compliant

Directive 2000/53/EC Compliant

