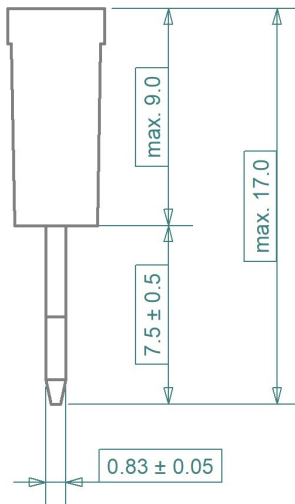
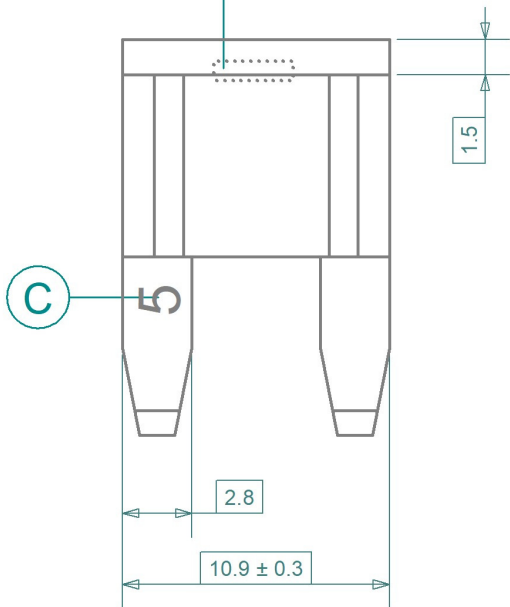


(B)
(A)



Rating [A]	Color	Volt [V]	iMaXX Reference
2	Gray	32	F7902
3	Violet	32	F7903
4	Pink	32	F7904
5	Tan	32	F7905
7.5	Brown	32	F7975
10	Red	32	F7910
15	Blue	32	F7915
20	Yellow	32	F7920
25	Natural	32	F7925
30	Green	32	F7930

Notes	
A	LED / PCB placement
B	Amperage rating printed on fuse body
C	Amperage rating stamped

Fusing time SAE J-2077 [s]		
Load [%]	Minimum [s]	Maximum [s]
110 %	360,000	-
135 %	0.75	1,800
200 %	0.15	5
350 %	> 0.08	

Revisions			Date	Appr.
	Date	Type	Drawn	05/09
a	08/11	rating print on top added	Checked	10/12
b	10/12	updated dimensions	Standards	
			Approved	10/12
				AdH
			Scale 3 : 1	
			Projection	Tolerance
				± 0.2 mm unless otherwise noted



Title	F7900 series, miniOTO ShoBlo
Drawing type	schematic
Drawing number	F7900 (LED) drawing 1
Sheet	1 of 1
Layers	0 1 2 6 9

