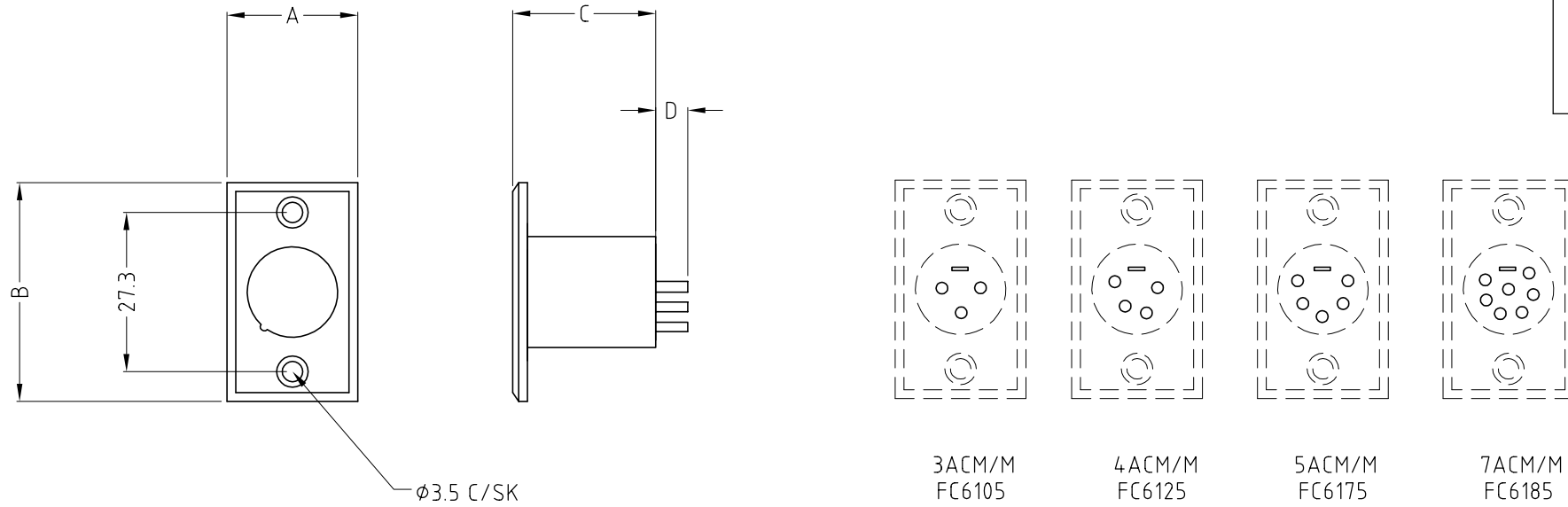


ISS.	AMEND	DATE
1	1st Drawn	27/1/03



TEMPERATURE RANGE -30° TO $+89^{\circ}$ C
 LIFETIME >5000 INSERTIONS

REFER DIMS. SEE DATA SHEET CLIFF 02/02. (DIMS MAY VARY)

SPECIFICATION										
MODEL	I(A) MAX @25°C	MAX CABLE	C (Pf)	Cr mΩ (MATED)	IR Ω @ 500V	DELECTRIC STRENGTH	DIM A	DIM B	DIM C	DIM D
FC6105	16	2.5	<4	<5	$>10^6$	1500	22.0	36.3	22.0	4.7
FC6125	10	1.0	<7	<5	$>10^6$	1500	22.4	36.5	21.8	5.0
FC6175	7.5	1.0	<7	<5	$>10^6$	1500	22.4	36.5	21.8	4.7
FC6185	5 (125V)	1	<9	<5	$>10^6$	1000	22.4	36.5	21.6	5.7

RoHS

COMPLIANT

TOLERANCE

NO DEC. PLACE ± 0.50
 1 DEC. PLACE ± 0.20
 2 DEC. PLACE ± 0.10
 HOLE DIA. ± 0.10
 ANGLES $\pm 1/2^{\circ}$

UNLESS OTHERWISE STATED

WHERE USED F.R.

SCALE N.T.S.

DIMENSIONS IN MILLIMETERS UNLESS OTHER WISE STATED. WORK TO DIMENSIONS. DO NOT SCALE DRAWING. 3rd ANGLE PROJECTION. REMOVE ALL BURRS. IF IN DOUBT ASK.

Cliff Electronic Components Ltd.
 76 Holmethorpe Ave., Holmethorpe Ind. Estate,
 Redhill, Surrey, RH1 2PF, England
 Tel: 01737-771375 Fax: 01737-766012

MATERIAL COMPOSITE/ CONTACTS SILVER PLATED 2μMIN
 FINISH
 DRAWN MST APPD. RWT

TITLE XLR SOCKET (MALE) X ACM/M
 DRWG. No. **FC6105** FORM: A4DRWGH