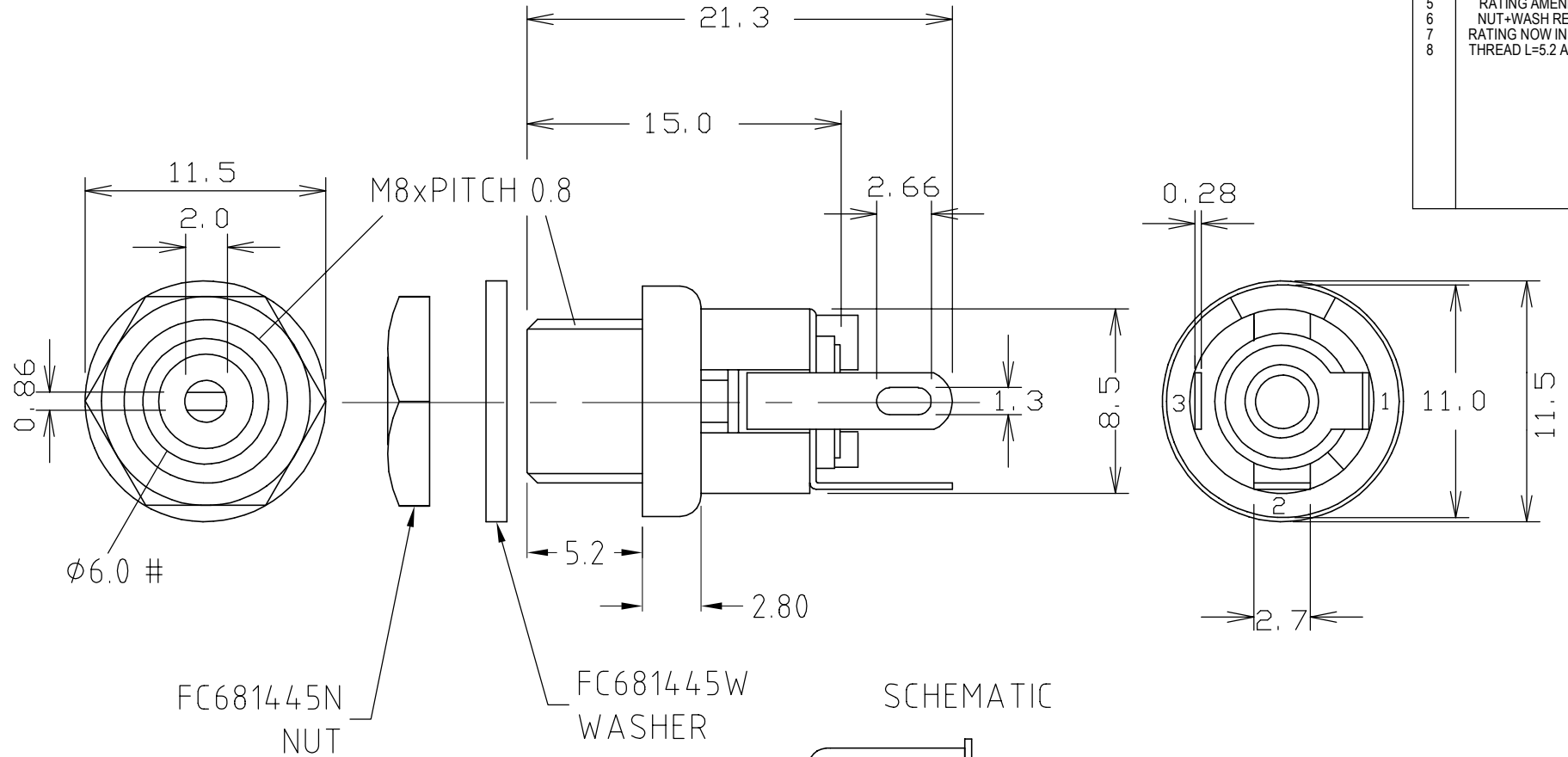
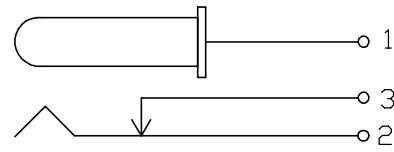


| ISS. | AMEND | DATE |
|------|------------------|----------|
| 1 | 1st DRAWN | 28/04/92 |
| 2 | SEE # | 19/07/93 |
| 3 | RATING AMEND | 11/08/98 |
| 4 | WASH DIM DEL | 28/07/00 |
| 5 | RATING AMEND | 30/10/06 |
| 6 | NUT+WASH REF | 17/03/09 |
| 7 | RATING NOW IN VA | 26/01/12 |
| 8 | THREAD L=5.2 ADD | 19/06/14 |



| VARIANTS | | |
|------------|-----------|----------|
| CENTRE PIN | MODEL No. | PART No. |
| Ø2.0mm | SCD-026 | FC681445 |
| Ø2.5mm | SCD-026A | FC681446 |



RATED: 60VA

RoHS
COMPLIANT

TOLERANCE
 NO DEC. PLACE ± 0.50
 1 DEC. PLACE ± 0.20
 2 DEC. PLACE ± 0.10
 HOLE Ø ± 0.10
 ANGLES ± 1/2°
 UNLESS OTHERWISE STATED

Cliff Electronic Components Ltd.

76 Holmethorpe Avenue, Holmethorpe Industrial Estate,
Redhill, Surrey, RH1 2PF, England, UK

Tel: 01737-771375 Fax: 01737-766012 Website: www.cliffuk.co.uk

THE CONTENTS OF THIS DOCUMENT MUST NOT BE COPIED OR DISCLOSED TO A 3rd PARTY WITHOUT WRITTEN PERMISSION OF CLIFF UK. © 1992

DIMENSIONS IN MILLIMETERS UNLESS OTHERWISE STATED. WORK TO DIMENSIONS. REMOVE ALL BURRS. IF IN DOUBT ASK.

MATERIAL: BRASS / PBT

FINISH: Ni PLATED / Ag PLATED / AS MOULDED

DRAWN: C.A.M.J.

APPROVED: R.W.T.

3rd ANGLE PROJECTION:

DO NOT SCALE

TITLE: DC POWER JACK SCD-026

DRWG. No. **FC681445**

FORM: A4DRWGH