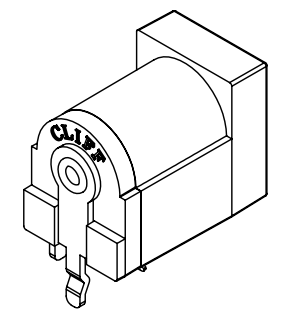
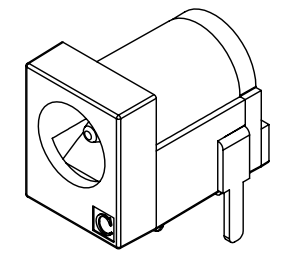
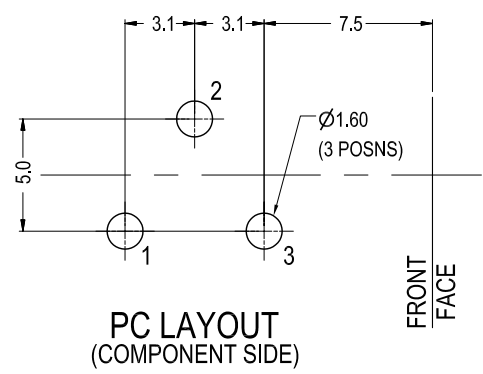
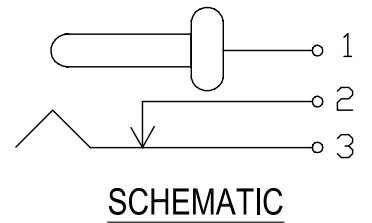
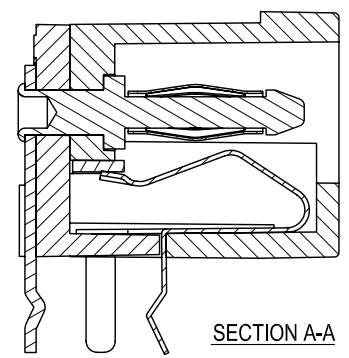
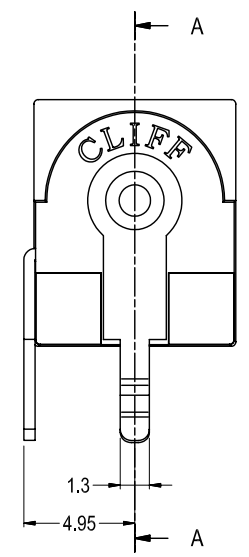
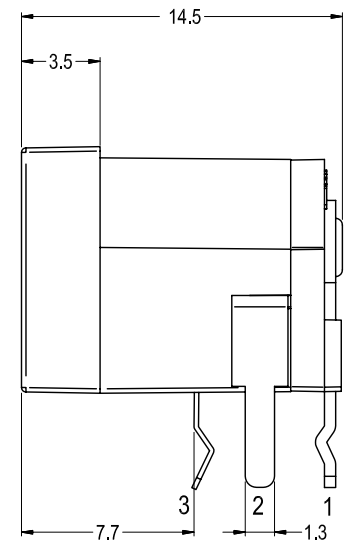
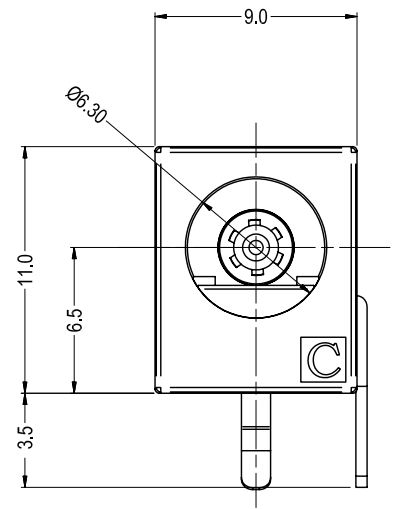


ISS.	AMEND	DATE
1	ISSUED	24/08/09
2	BORDER UPDATE	03/09/10



NOTES:-

- SUITABLE FOR USE WITH Ø2.1mm OR Ø2.5mm DC PLUG.
- RATED: 5A / 24V DC
LIFE: 5,000 INSERTIONS MINIMUM.
INSULATION RESISTANCE BETWEEN ANY OPEN CONTACT:
>100MΩ @ 500V DC.

RoHS ✓ COMPLIANT
TOLERANCE NO DEC. PLACE ±0.50 1 DEC. PLACE ±0.20 2 DEC. PLACE ±0.10 HOLE Ø ±0.10 ANGLES ±1/2° UNLESS OTHERWISE STATED
DO NOT SCALE

Cliff Electronic Components Ltd.
76 Holmethorpe Avenue, Holmethorpe Industrial Estate,
Redhill, Surrey, RH1 2PF, England, UK
Tel: 01737-771375 Fax: 01737-766012 Website: www.cliffuk.co.uk

DIMENSIONS IN MILLIMETERS UNLESS OTHERWISE STATED. WORK TO DIMENSIONS. REMOVE ALL BURRS. IF IN DOUBT ASK.

3rd ANGLE PROJECTION:

MATERIAL: PBT 15%GF HOUSING

TITLE: DC POWER SOCKET DC10LP (PCB MOUNT)

FINISH: AS MOULDED / TIN PLATED TAGS

DRWG. No. **FCR681465P**

THE CONTENTS OF THIS DOCUMENT MUST NOT BE COPIED OR DISCLOSED TO A 3rd PARTY WITHOUT WRITTEN PERMISSION OF CLIFF UK. © 2009

DRAWN: N.J.B.

APPROVED: D.P.J.

FORM: A4DRWGH