

**256-Kbit (32 K × 8) Serial (SPI) F-RAM**

**Features**

- 256-Kbit ferroelectric random access memory (F-RAM) logically organized as 32 K × 8
  - High-endurance 100 trillion ( $10^{14}$ ) read/writes
  - 151-year data retention (See the [Data Retention and Endurance](#) table)
  - NoDelay™ writes
  - Advanced high-reliability ferroelectric process
- Very fast serial peripheral interface (SPI)
  - Up to 40-MHz frequency
  - Direct hardware replacement for serial flash and EEPROM
  - Supports SPI mode 0 (0, 0) and mode 3 (1, 1)
- Sophisticated write protection scheme
  - Hardware protection using the Write Protect ( $\overline{WP}$ ) pin
  - Software protection using Write Disable instruction
  - Software block protection for 1/4, 1/2, or entire array
- Device ID
  - Manufacturer ID and Product ID
- Low power consumption
  - 220  $\mu$ A active current at 1 MHz
  - 90  $\mu$ A (typ) standby current
  - 5  $\mu$ A sleep mode current
- Low-voltage operation:  $V_{DD} = 2.0$  V to 3.6 V
- Industrial temperature:  $-40$  °C to  $+85$  °C
- Packages
  - 8-pin small outline integrated circuit (SOIC) package
  - 8-pin thin dual flat no leads (TDFN) package
- Restriction of hazardous substances (RoHS) compliant

**Functional Overview**

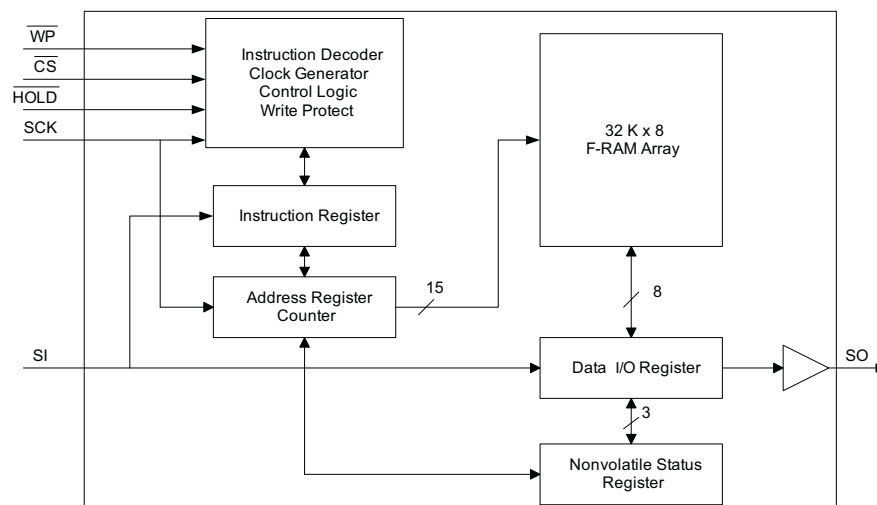
The FM25V02 is a 256-Kbit nonvolatile memory employing an advanced ferroelectric process. A ferroelectric random access memory or F-RAM is nonvolatile and performs reads and writes similar to a RAM. It provides reliable data retention for 151 years while eliminating the complexities, overhead, and system-level reliability problems caused by serial flash, EEPROM, and other nonvolatile memories.

Unlike serial flash and EEPROM, the FM25V02 performs write operations at bus speed. No write delays are incurred. Data is written to the memory array immediately after each byte is successfully transferred to the device. The next bus cycle can commence without the need for data polling. In addition, the product offers substantial write endurance compared with other nonvolatile memories. The FM25V02 is capable of supporting  $10^{14}$  read/write cycles, or 100 million times more write cycles than EEPROM.

These capabilities make the FM25V02 ideal for nonvolatile memory applications, requiring frequent or rapid writes. Examples range from data collection, where the number of write cycles may be critical, to demanding industrial controls where the long write time of serial flash or EEPROM can cause data loss.

The FM25V02 provides substantial benefits to users of serial EEPROM or flash as a hardware drop-in replacement. The FM25V02 uses the high-speed SPI bus, which enhances the high-speed write capability of F-RAM technology. The device incorporates a read-only Device ID that allows the host to determine the manufacturer, product density, and product revision. The device specifications are guaranteed over an industrial temperature range of  $-40$  °C to  $+85$  °C.

**Logic Block Diagram**

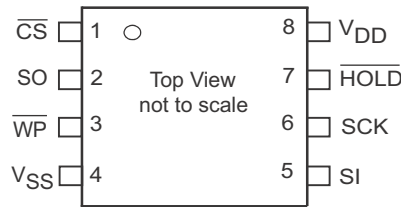


**Contents**

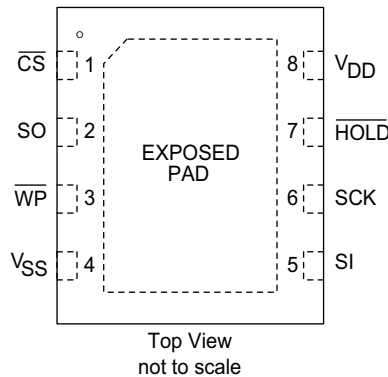
<b>Pinout</b> .....	<b>3</b>	<b>Maximum Ratings</b> .....	<b>12</b>
<b>Pin Definitions</b> .....	<b>3</b>	<b>Operating Range</b> .....	<b>12</b>
<b>Overview</b> .....	<b>4</b>	<b>DC Electrical Characteristics</b> .....	<b>12</b>
<b>Memory Architecture</b> .....	<b>4</b>	<b>Data Retention and Endurance</b> .....	<b>13</b>
<b>Serial Peripheral Interface – SPI Bus</b> .....	<b>4</b>	<b>Capacitance</b> .....	<b>13</b>
SPI Overview.....	4	<b>Thermal Resistance</b> .....	<b>13</b>
SPI Modes.....	5	<b>AC Test Conditions</b> .....	<b>13</b>
Power Up to First Access .....	6	<b>AC Switching Characteristics</b> .....	<b>14</b>
Command Structure .....	6	<b>Power Cycle Timing</b> .....	<b>16</b>
WREN - Set Write Enable Latch .....	6	<b>Ordering Information</b> .....	<b>17</b>
WRDI - Reset Write Enable Latch.....	6	Ordering Code Definitions .....	17
<b>Status Register and Write Protection</b> .....	<b>7</b>	<b>Package Diagrams</b> .....	<b>18</b>
RDSR - Read Status Register .....	8	<b>Acronyms</b> .....	<b>19</b>
WRSR - Write Status Register .....	8	<b>Document Conventions</b> .....	<b>19</b>
<b>Memory Operation</b> .....	<b>8</b>	Units of Measure .....	19
Write Operation .....	8	<b>Document History Page</b> .....	<b>20</b>
Read Operation .....	9	<b>Sales, Solutions, and Legal Information</b> .....	<b>21</b>
Fast Read Operation .....	9	Worldwide Sales and Design Support.....	21
HOLD Pin Operation .....	10	Products .....	21
Sleep Mode .....	10	PSoC® Solutions .....	21
Device ID .....	11	Cypress Developer Community.....	21
Endurance .....	11	Technical Support .....	21

## Pinouts

**Figure 1. 8-pin SOIC pinout**



**Figure 2. 8-pin TDFN pinout**



## Pin Definitions

Pin Name	I/O Type	Description
$\overline{\text{CS}}$	Input	<b>Chip Select.</b> This active LOW input activates the device. When HIGH, the device enters low-power standby mode, ignores other inputs, and the output is tristated. When LOW, the device internally activates the SCK signal. A falling edge on $\overline{\text{CS}}$ must occur before every opcode.
SCK	Input	<b>Serial Clock.</b> All I/O activity is synchronized to the serial clock. Inputs are latched on the rising edge and outputs occur on the falling edge. Because the device is synchronous, the clock frequency may be any value between 0 and 40 MHz and may be interrupted at any time.
SI <sup>[1]</sup>	Input	<b>Serial Input.</b> All data is input to the device on this pin. The pin is sampled on the rising edge of SCK and is ignored at other times. It should always be driven to a valid logic level to meet IDD specifications.
SO <sup>[1]</sup>	Output	<b>Serial Output.</b> This is the data output pin. It is driven during a read and remains tristated at all other times including when $\overline{\text{HOLD}}$ is LOW. Data transitions are driven on the falling edge of the serial clock.
$\overline{\text{WP}}$	Input	<b>Write Protect.</b> This Active LOW pin prevents write operation to the Status Register when WPEN is set to '1'. This is critical because other write protection features are controlled through the Status Register. A complete explanation of write protection is provided in <a href="#">Status Register and Write Protection on page 7</a> . This pin must be tied to $V_{\text{DD}}$ if not used.
$\overline{\text{HOLD}}$	Input	<b>HOLD Pin.</b> The $\overline{\text{HOLD}}$ pin is used when the host CPU must interrupt a memory operation for another task. When $\overline{\text{HOLD}}$ is LOW, the current operation is suspended. The device ignores any transition on SCK or $\overline{\text{CS}}$ . All transitions on $\overline{\text{HOLD}}$ must occur while SCK is LOW. This pin has a weak internal pull-up (Refer <a href="#">DC Electrical Characteristics</a> table for $R_{\text{IN}}$ spec). However, if it is not used, the $\overline{\text{HOLD}}$ pin should be tied to $V_{\text{DD}}$ .
$V_{\text{SS}}$	Power supply	Ground for the device. Must be connected to the ground of the system.
$V_{\text{DD}}$	Power supply	Power supply input to the device.
EXPOSED PAD	No connect	The EXPOSED PAD on the bottom of 8-pin TDFN package is not connected to the die. The EXPOSED PAD should be left floating.

**Note**

1. SI may be connected to SO for a single pin data interface.

## Overview

The FM25V02 is a serial F-RAM memory. The memory array is logically organized as 32,768 × 8 bits and is accessed using an industry-standard serial peripheral interface (SPI) bus. The functional operation of the F-RAM is similar to serial flash and serial EEPROMs. The major difference between the FM25V02 and a serial flash or EEPROM with the same pinout is the F-RAM's superior write performance, high endurance, and low power consumption.

## Memory Architecture

When accessing the FM25V02, the user addresses 32K locations of eight data bits each. These eight data bits are shifted in or out serially. The addresses are accessed using the SPI protocol, which includes a chip select (to permit multiple devices on the bus), an opcode, and a two-byte address. The upper bit of the address range is a 'don't care' value. The complete address of 15 bits specifies each byte address uniquely.

Most functions of the FM25V02 are either controlled by the SPI interface or handled by on-board circuitry. The access time for the memory operation is essentially zero, beyond the time needed for the serial protocol. That is, the memory is read or written at the speed of the SPI bus. Unlike a serial flash or EEPROM, it is not necessary to poll the device for a ready condition because writes occur at bus speed. By the time a new bus transaction can be shifted into the device, a write operation is complete. This is explained in more detail in the interface section.

## Serial Peripheral Interface – SPI Bus

The FM25V02 is a SPI slave device and operates at speeds up to 40 MHz. This high-speed serial bus provides high-performance serial communication to a SPI master. Many common microcontrollers have hardware SPI ports allowing a direct interface. It is quite simple to emulate the port using ordinary port pins for microcontrollers that do not. The FM25V02 operates in SPI Mode 0 and 3.

## SPI Overview

The SPI is a four-pin interface with Chip Select ( $\overline{CS}$ ), Serial Input (SI), Serial Output (SO), and Serial Clock (SCK) pins.

The SPI is a synchronous serial interface, which uses clock and data pins for memory access and supports multiple devices on the data bus. A device on the SPI bus is activated using the  $\overline{CS}$  pin.

The relationship between chip select, clock, and data is dictated by the SPI mode. This device supports SPI modes 0 and 3. In both of these modes, data is clocked into the F-RAM on the rising edge of SCK starting from the first rising edge after  $\overline{CS}$  goes active.

The SPI protocol is controlled by opcodes. These opcodes specify the commands from the bus master to the slave device. After  $\overline{CS}$  is activated, the first byte transferred from the bus

master is the opcode. Following the opcode, any addresses and data are then transferred. The  $\overline{CS}$  must go inactive after an operation is complete and before a new opcode can be issued. The commonly used terms in the SPI protocol are as follows:

### SPI Master

The SPI master device controls the operations on a SPI bus. An SPI bus may have only one master with one or more slave devices. All the slaves share the same SPI bus lines and the master may select any of the slave devices using the  $\overline{CS}$  pin. All of the operations must be initiated by the master activating a slave device by pulling the  $\overline{CS}$  pin of the slave LOW. The master also generates the SCK and all the data transmission on SI and SO lines are synchronized with this clock.

### SPI Slave

The SPI slave device is activated by the master through the Chip Select line. A slave device gets the SCK as an input from the SPI master and all the communication is synchronized with this clock. An SPI slave never initiates a communication on the SPI bus and acts only on the instruction from the master.

The FM25V02 operates as an SPI slave and may share the SPI bus with other SPI slave devices.

### Chip Select ( $\overline{CS}$ )

To select any slave device, the master needs to pull down the corresponding  $\overline{CS}$  pin. Any instruction can be issued to a slave device only while the  $\overline{CS}$  pin is LOW. When the device is not selected, data through the SI pin is ignored and the serial output pin (SO) remains in a high-impedance state.

**Note** A new instruction must begin with the falling edge of  $\overline{CS}$ . Therefore, only one opcode can be issued for each active Chip Select cycle.

### Serial Clock (SCK)

The Serial Clock is generated by the SPI master and the communication is synchronized with this clock after  $\overline{CS}$  goes LOW.

The FM25V02 enables SPI modes 0 and 3 for data communication. In both of these modes, the inputs are latched by the slave device on the rising edge of SCK and outputs are issued on the falling edge. Therefore, the first rising edge of SCK signifies the arrival of the first bit (MSB) of a SPI instruction on the SI pin. Further, all data inputs and outputs are synchronized with SCK.

### Data Transmission (SI/SO)

The SPI data bus consists of two lines, SI and SO, for serial data communication. SI is also referred to as Master Out Slave In (MOSI) and SO is referred to as Master In Slave Out (MISO). The master issues instructions to the slave through the SI pin, while the slave responds through the SO pin. Multiple slave devices may share the SI and SO lines as described earlier.

The FM25V02 has two separate pins for SI and SO, which can be connected with the master as shown in [Figure 3](#).

For a microcontroller that has no dedicated SPI bus, a general-purpose port may be used. To reduce hardware resources on the controller, it is possible to connect the two data pins (SI, SO) together and tie off (HIGH) the  $\overline{\text{HOLD}}$  and  $\overline{\text{WP}}$  pins. [Figure 4](#) shows such a configuration, which uses only three pins.

**Most Significant Bit (MSB)**

The SPI protocol requires that the first bit to be transmitted is the Most Significant Bit (MSB). This is valid for both address and data transmission.

The 256-Kbit serial F-RAM requires a 2-byte address for any read or write operation. Because the address is only 15 bits, the upper bit which is fed in is ignored by the device.

bit is 'don't care', Cypress recommends that this bit be set to '0' to enable seamless transition to higher memory densities.

**Serial Opcode**

After the slave device is selected with  $\overline{\text{CS}}$  going LOW, the first byte received is treated as the opcode for the intended operation. FM25V02 uses the standard opcodes for memory accesses.

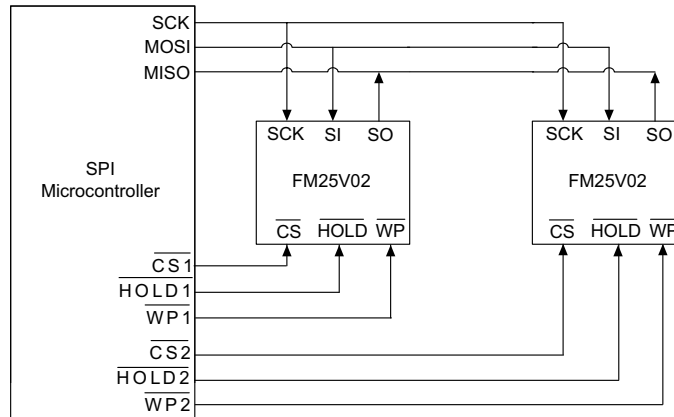
**Invalid Opcode**

If an invalid opcode is received, the opcode is ignored and the device ignores any additional serial data on the SI pin until the next falling edge of  $\overline{\text{CS}}$ , and the SO pin remains tristated.

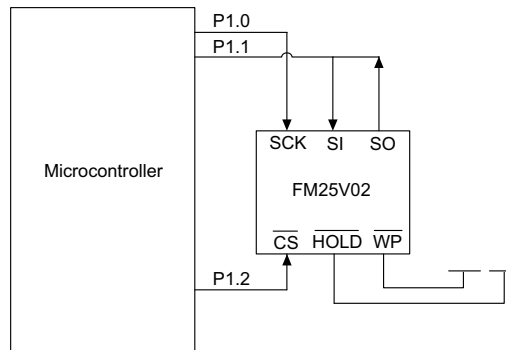
**Status Register**

FM25V02 has an 8-bit Status Register. The bits in the Status Register are used to configure the device. These bits are described in [Table 3 on page 7](#).

**Figure 3. System Configuration with SPI Port**



**Figure 4. System Configuration without SPI Port**



**SPI Modes**

FM25V02 may be driven by a microcontroller with its SPI peripheral running in either of the following two modes:

- SPI Mode 0 (CPOL = 0, CPHA = 0)
- SPI Mode 3 (CPOL = 1, CPHA = 1)

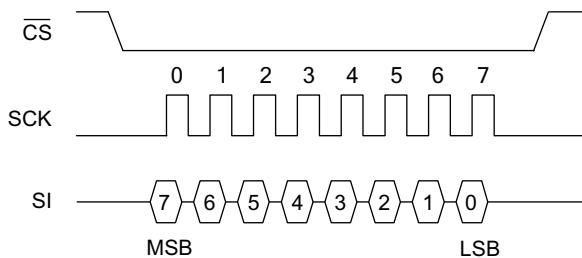
For both these modes, the input data is latched in on the rising edge of SCK starting from the first rising edge after  $\overline{\text{CS}}$  goes active. If the clock starts from a HIGH state (in mode 3), the first rising edge after the clock toggles is considered. The output data is available on the falling edge of SCK.

The two SPI modes are shown in [Figure 5 on page 6](#) and [Figure 6 on page 6](#). The status of the clock when the bus master is not transferring data is:

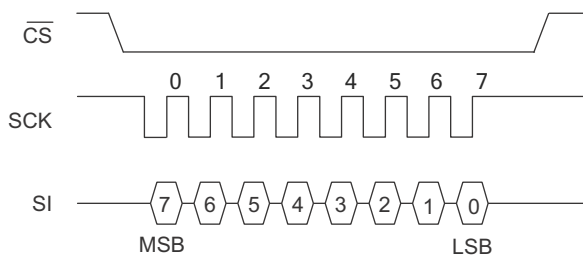
- SCK remains at 0 for Mode 0
- SCK remains at 1 for Mode 3

The device detects the SPI mode from the status of the SCK pin when the device is selected by bringing the CS pin LOW. If the SCK pin is LOW when the device is selected, SPI Mode 0 is assumed and if the SCK pin is HIGH, it works in SPI Mode 3.

**Figure 5. SPI Mode 0**



**Figure 6. SPI Mode 3**



### Power Up to First Access

The FM25V02 is not accessible for a  $t_{PU}$  time after power-up. Users must comply with the timing parameter,  $t_{PU}$ , which is the minimum time from  $V_{DD}$  (min) to the first CS LOW.

### Command Structure

There are nine commands, called opcodes, that can be issued by the bus master to the FM25V02. They are listed in [Table 1](#). These opcodes control the functions performed by the memory.

**Table 1. Opcode Commands**

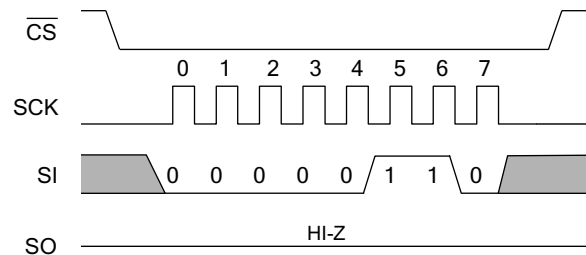
Name	Description	Opcode
WREN	Set write enable latch	0000 0110b
WRDI	Reset write enable latch	0000 0100b
RDSR	Read Status Register	0000 0101b
WRSR	Write Status Register	0000 0001b
READ	Read memory data	0000 0011b
FSTRD	Fast read memory data	0000 1011b
WRITE	Write memory data	0000 0010b
SLEEP	Enter sleep mode	1011 1001b
RDID	Read device ID	1001 1111b

### WREN - Set Write Enable Latch

The FM25V02 will power up with writes disabled. The WREN command must be issued before any write operation. Sending the WREN opcode allows the user to issue subsequent opcodes for write operations. These include writing the Status Register (WRSR) and writing the memory (WRITE).

Sending the WREN opcode causes the internal Write Enable Latch to be set. A flag bit in the Status Register, called WEL, indicates the state of the latch. WEL = '1' indicates that writes are permitted. Attempting to write the WEL bit in the Status Register has no effect on the state of this bit – only the WREN opcode can set this bit. The WEL bit will be automatically cleared on the rising edge of CS following a WRDI, a WRSR, or a WRITE operation. This prevents further writes to the Status Register or the F-RAM array without another WREN command. [Figure 7](#) illustrates the WREN command bus configuration.

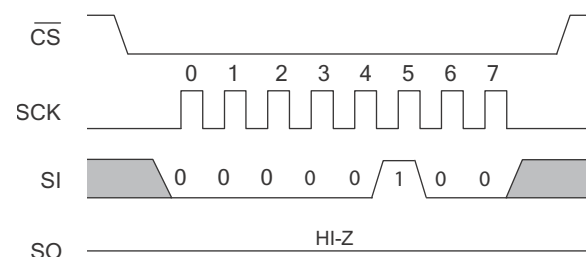
**Figure 7. WREN Bus Configuration**



### WRDI - Reset Write Enable Latch

The WRDI command disables all write activity by clearing the Write Enable Latch. The user can verify that writes are disabled by reading the WEL bit in the Status Register and verifying that WEL is equal to '0'. [Figure 8](#) illustrates the WRDI command bus configuration.

**Figure 8. WRDI Bus Configuration**





## Status Register and Write Protection

The write protection features of the FM25V02 are multi-tiered and are enabled through the status register. The Status Register

is organized as follows. (The default value shipped from the factory for bits in the Status Register is '0').

**Table 2. Status Register**

Bit 7	Bit 6	Bit 5	Bit 4	Bit 3	Bit 2	Bit 1	Bit 0
WPEN (0)	X (0)	X (0)	X (0)	BP1 (0)	BP0 (0)	WEL (0)	X (0)

**Table 3. Status Register Bit Definition**

Bit	Definition	Description
Bit 0	Don't care	This bit is non-writable and always returns '0' upon read.
Bit 1 (WEL)	Write Enable	WEL indicates if the device is write enabled. This bit defaults to '0' (disabled) on power-up. WEL = '1' --> Write enabled WEL = '0' --> Write disabled
Bit 2 (BP0)	Block Protect bit '0'	Used for block protection. For details, see <a href="#">Table 4 on page 7</a> .
Bit 3 (BP1)	Block Protect bit '1'	Used for block protection. For details, see <a href="#">Table 4 on page 7</a> .
Bit 4-6	Don't care	These bits are non-writable and always return '0' upon read.
Bit 7 (WPEN)	Write Protect Enable bit	Used to enable the function of Write Protect Pin ( $\overline{WP}$ ). For details, see <a href="#">Table 5 on page 7</a> .

Bits 0 and 4-6 are fixed at '0'; none of these bits can be modified. Note that bit 0 ("Ready or Write in progress" bit in serial flash and EEPROM) is unnecessary, as the F-RAM writes in real-time and is never busy, so it reads out as a '0'. An exception to this is when the device is waking up from sleep mode, which is described in [Sleep Mode on page 11](#). The BP1 and BP0 control the software write-protection features and are nonvolatile bits. The WEL flag indicates the state of the Write Enable Latch. Attempting to directly write the WEL bit in the Status Register has no effect on its state. This bit is internally set and cleared via the WREN and WRDI commands, respectively.

BP1 and BP0 are memory block write protection bits. They specify portions of memory that are write-protected as shown in [Table 4](#).

**Table 4. Block Memory Write Protection**

BP1	BP0	Protected Address Range
0	0	None
0	1	6000h to 7FFFh (upper 1/4)
1	0	4000h to 7FFFh (upper 1/2)
1	1	0000h to 7FFFh (all)

The BP1 and BP0 bits and the Write Enable Latch are the only mechanisms that protect the memory from writes. The remaining write protection features protect inadvertent changes to the block protect bits.

The write protect enable bit (WPEN) in the Status Register controls the effect of the hardware write protect ( $\overline{WP}$ ) pin. When the WPEN bit is set to '0', the status of the  $\overline{WP}$  pin is ignored. When the WPEN bit is set to '1', a LOW on the  $\overline{WP}$  pin inhibits a write to the Status Register. Thus the Status Register is write-protected only when WPEN = '1' and  $\overline{WP}$  = '0'.

[Table 5](#) summarizes the write protection conditions.

**Table 5. Write Protection**

WEL	WPEN	$\overline{WP}$	Protected Blocks	Unprotected Blocks	Status Register
0	X	X	Protected	Protected	Protected
1	0	X	Protected	Unprotected	Unprotected
1	1	0	Protected	Unprotected	Protected
1	1	1	Protected	Unprotected	Unprotected

**RDSR - Read Status Register**

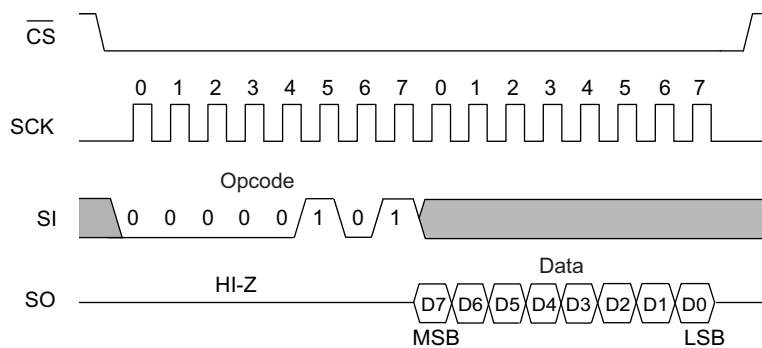
The RDSR command allows the bus master to verify the contents of the Status Register. Reading the status register provides information about the current state of the write-protection features. Following the RDSR opcode, the FM25V02 will return one byte with the contents of the Status Register.

**WRSR - Write Status Register**

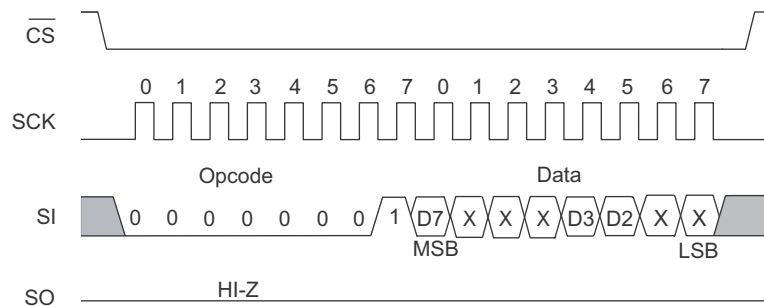
The WRSR command allows the SPI bus master to write into the Status Register and change the write protect configuration by

setting the WPEN, BP0 and BP1 bits as required. Before issuing a WRSR command, the  $\overline{WP}$  pin must be HIGH or inactive. Note that on the FM25V02,  $\overline{WP}$  only prevents writing to the Status Register, not the memory array. Before sending the WRSR command, the user must send a WREN command to enable writes. Executing a WRSR command is a write operation and therefore, clears the Write Enable Latch.

**Figure 9. RDSR Bus Configuration**



**Figure 10. WRSR Bus Configuration (WREN not shown)**



**Memory Operation**

The SPI interface, which is capable of a high clock frequency, highlights the fast write capability of the F-RAM technology. Unlike serial flash and EEPROMs, the FM25V02 can perform sequential writes at bus speed. No page register is needed and any number of sequential writes may be performed.

**Write Operation**

All writes to the memory begin with a WREN opcode with  $\overline{CS}$  being asserted and deasserted. The next opcode is WRITE. The WRITE opcode is followed by a two-byte address containing the 15-bit address (A14-A0) of the first data byte to be written into the memory. The upper bit of the two-byte address is ignored. Subsequent bytes are data bytes, which are written sequentially. Addresses are incremented internally as long as the bus master

continues to issue clocks and keeps  $\overline{CS}$  LOW. If the last address of 7FFFh is reached, the counter will roll over to 0000h. Data is written MSB first. The rising edge of  $\overline{CS}$  terminates a write operation. A write operation is shown in Figure 11.

**Note** When a burst write reaches a protected block address, the automatic address increment stops and all the subsequent data bytes received for write will be ignored by the device.

EEPROMs use page buffers to increase their write throughput. This compensates for the technology's inherently slow write operations. F-RAM memories do not have page buffers because each byte is written to the F-RAM array immediately after it is clocked in (after the eighth clock). This allows any number of bytes to be written without page buffer delays.

**Note** If the power is lost in the middle of the write operation, only the last completed byte will be written.



**Read Operation**

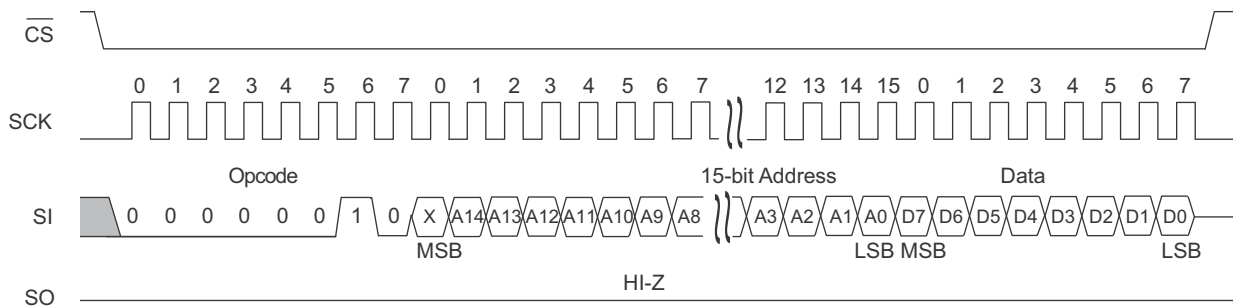
After the falling edge of  $\overline{CS}$ , the bus master can issue a READ opcode. Following the READ command is a two-byte address containing the 15-bit address (A14-A0) of the first byte of the read operation. The upper bit of the address is ignored. After the opcode and address are issued, the device drives out the read data on the next eight clocks. The SI input is ignored during read data bytes. Subsequent bytes are data bytes, which are read out sequentially. Addresses are incremented internally as long as the bus master continues to issue clocks and  $\overline{CS}$  is LOW. If the last address of 7FFFh is reached, the counter will roll over to 0000h. Data is read MSB first. The rising edge of  $\overline{CS}$  terminates a read operation and tristates the SO pin. A read operation is shown in Figure 12.

FAST READ opcode is followed by a two-byte address containing the 15-bit address (A14-A0) of the first byte of the read operation and then a dummy byte. The dummy byte inserts a read latency of 8-clock cycle. The fast read operation is otherwise the same as an ordinary read operation except that it requires an additional dummy byte. After receiving opcode, address, and a dummy byte, the FM25V02 starts driving its SO line with data bytes, with MSB first, and continues transmitting as long as the device is selected and the clock is available. In case of bulk read, the internal address counter is incremented automatically, and after the last address 7FFFh is reached, the counter rolls over to 0000h. When the device is driving data on its SO line, any transition on its SI line is ignored. The rising edge of  $\overline{CS}$  terminates a fast read operation and tristates the SO pin. A Fast Read operation is shown in Figure 13.

**Fast Read Operation**

The FM25V02 supports a FAST READ opcode (0Bh) that is provided for code compatibility with serial flash devices. The

**Figure 11. Memory Write (WREN not shown) Operation**



**Figure 12. Memory Read Operation**

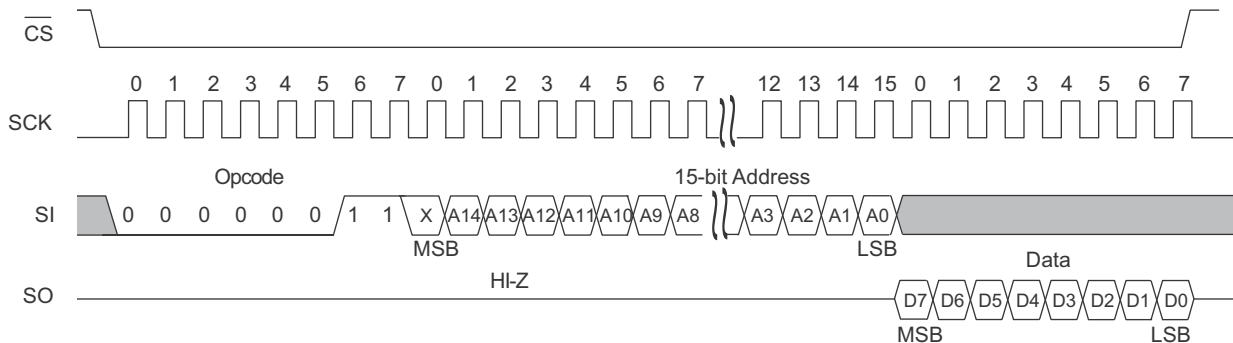
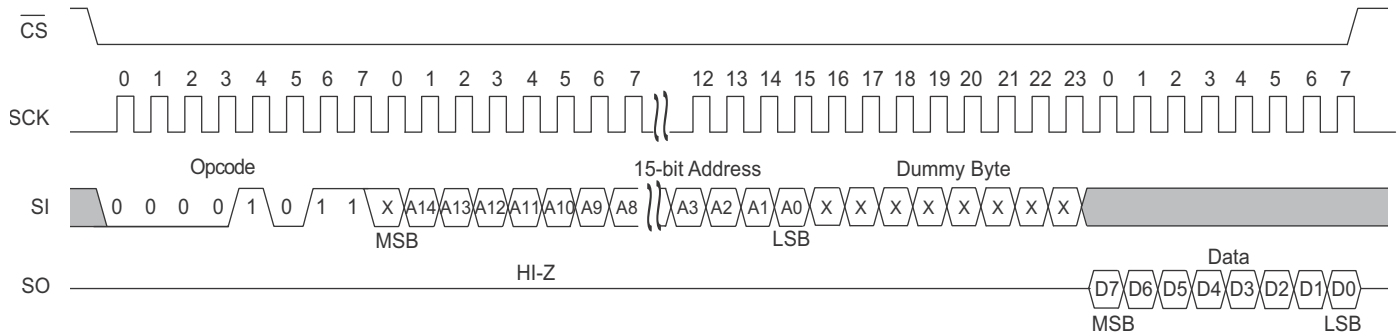


Figure 13. Fast Read Operation

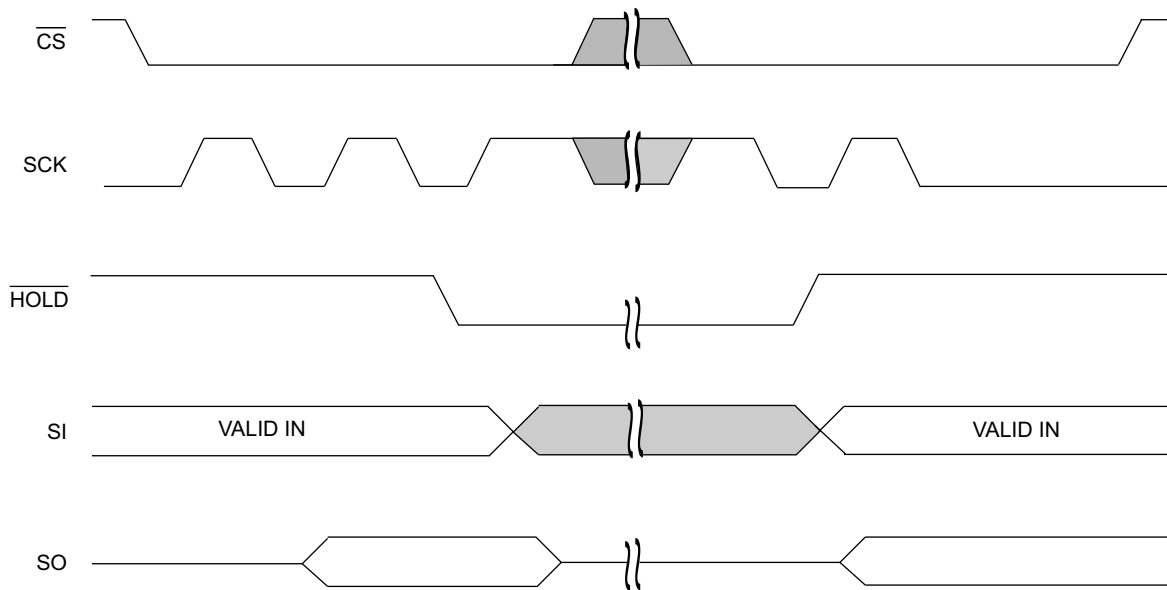


### HOLD Pin Operation

The HOLD pin can be used to interrupt a serial operation without aborting it. If the bus master pulls the HOLD pin LOW while SCK is LOW, the current operation will pause. Taking the HOLD pin

HIGH while SCK is LOW will resume an operation. The transitions of HOLD must occur while SCK is LOW, but the SCK and  $\overline{CS}$  pin can toggle during a hold state.

Figure 14. HOLD Operation [2]



**Note**

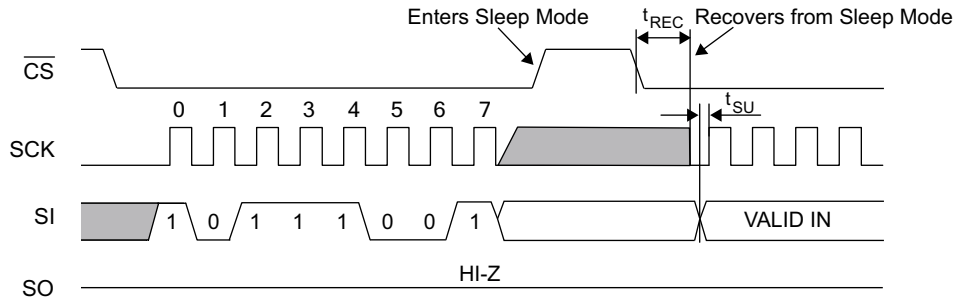
2. Figure shows  $\overline{HOLD}$  operation for input mode and output mode.

**Sleep Mode**

A low-power sleep mode is implemented on the FM25V02 device. The device will enter the low-power state when the SLEEP opcode B9h is clocked in and a rising edge of  $\overline{CS}$  is applied. When in sleep mode, the SCK and SI pins are ignored and SO will be HI-Z, but the device continues to monitor the  $\overline{CS}$

pin. On the next falling edge of  $\overline{CS}$ , the device will return to normal operation within  $t_{REC}$  time. The SO pin remains in a HI-Z state during the wakeup period. The device does not necessarily respond to an opcode within the wakeup period. To start the wakeup procedure, the controller may send a “dummy” read, for example, and wait the remaining  $t_{REC}$  time.

**Figure 15. Sleep Mode Operation**



**Device ID**

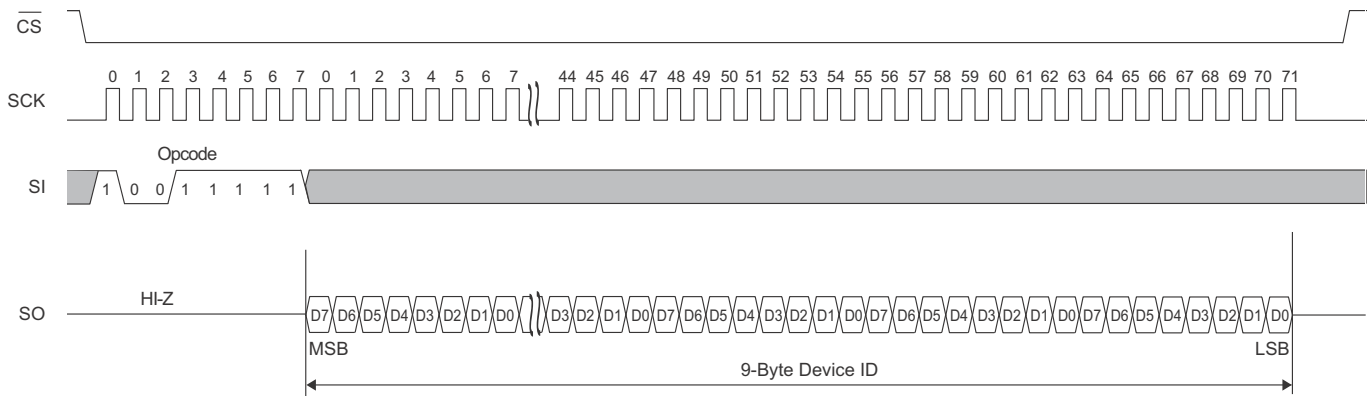
The FM25V02 device can be interrogated for its manufacturer, product identification, and die revision. The RDID opcode 9Fh allows the user to read the manufacturer ID and product ID, both of which are read-only bytes. The JEDEC-assigned

manufacturer ID places the Cypress (Ramtron) identifier in bank 7; therefore, there are six bytes of the continuation code 7Fh followed by the single byte C2h. There are two bytes of product ID, which includes a family code, a density code, a sub code, and the product revision code.

**Table 6. Device ID**

Device ID (9 bytes)	Device ID Description					
	71–16 (56 bits)	15–13 (3 bits)	12–8 (5 bits)	7–6 (2 bits)	5–3 (3 bits)	2–0 (3 bits)
	Manufacturer ID	Product ID				
Family		Density	Sub	Rev	Rsvd	
7F7F7F7F7F7FC22200h	0111111101111111011111110111 1111011111110111111111000010	001	00010	00	000	000

**Figure 16. Read Device ID**



**Endurance**

The FM25V02 devices are capable of being accessed at least  $10^{14}$  times, reads or writes. An F-RAM memory operates with a read and restore mechanism. Therefore, an endurance cycle is applied on a row basis for each access (read or write) to the memory array. The F-RAM architecture is based on an array of rows and columns of 4K rows of 64-bits each. The entire row is internally accessed once, whether a single byte or all eight bytes are read or written. Each byte in the row is counted only once in an endurance calculation. Table 7 shows endurance calculations for a 64-byte repeating loop, which includes an opcode, a starting address, and a sequential 64-byte data stream. This causes each byte to experience one endurance cycle through the loop.

F-RAM read and write endurance is virtually unlimited even at a 40-MHz clock rate.

**Table 7. Time to Reach Endurance Limit for Repeating 64-byte Loop**

SCK Freq (MHz)	Endurance Cycles/sec	Endurance Cycles/year	Years to Reach Limit
40	74,620	$2.35 \times 10^{12}$	42.6
25	37,310	$1.18 \times 10^{12}$	85.1
10	18,660	$5.88 \times 10^{11}$	170.2
5	9,330	$2.94 \times 10^{11}$	340.3

## Maximum Ratings

Exceeding maximum ratings may shorten the useful life of the device. These user guidelines are not tested.

Storage temperature	-55 °C to +125 °C
Maximum junction temperature	95 °C
Supply voltage on V <sub>DD</sub> relative to V <sub>SS</sub>	-1.0 V to +4.5 V
Input voltage	-1.0 V to +4.5 V and V <sub>IN</sub> < V <sub>DD</sub> + 1.0 V
DC voltage applied to outputs in High-Z state	-0.5 V to V <sub>DD</sub> + 0.5 V
Transient voltage (< 20 ns) on any pin to ground potential	-2.0 V to V <sub>DD</sub> + 2.0 V
Package power dissipation capability (T <sub>A</sub> = 25 °C)	1.0 W

Surface mount lead soldering temperature (3 seconds)	+260 °C
DC output current (1 output at a time, 1s duration)	15 mA
Electrostatic Discharge Voltage	
Human Body Model (AEC-Q100-002 Rev. E)	1k
Charged Device Model (AEC-Q100-011 Rev. B)	1.25 kV
Machine Model (AEC-Q100-003 Rev. E)	200 V
Latch-up current	> 140 mA

## Operating Range

Range	Ambient Temperature (T <sub>A</sub> )	V <sub>DD</sub>
Industrial	-40 °C to +85 °C	2.0 V to 3.6 V

## DC Electrical Characteristics

Over the [Operating Range](#)

Parameter	Description	Test Conditions	Min	Typ <sup>[3]</sup>	Max	Unit
V <sub>DD</sub>	Power supply		2.0	3.3	3.6	V
I <sub>DD</sub>	V <sub>DD</sub> supply current	SCK toggling between V <sub>DD</sub> - 0.2 V and V <sub>SS</sub> , other inputs V <sub>SS</sub> or V <sub>DD</sub> - 0.2 V. SO = Open				
		f <sub>SCK</sub> = 1 MHz	-	-	0.22	mA
		f <sub>SCK</sub> = 40 MHz	-	1.5	2.5	mA
I <sub>SB</sub>	V <sub>DD</sub> standby current	$\overline{CS} = V_{DD}$ . All other inputs V <sub>SS</sub> or V <sub>DD</sub> .	-	90	150	μA
I <sub>ZZ</sub>	Sleep mode current	$\overline{CS} = V_{DD}$ . All other inputs V <sub>SS</sub> or V <sub>DD</sub> .	-	5	8	μA
I <sub>LI</sub>	Input leakage current (except HOLD pin)	V <sub>SS</sub> ≤ V <sub>IN</sub> ≤ V <sub>DD</sub>	-	-	±1	μA
I <sub>LO</sub>	Output leakage current	V <sub>SS</sub> ≤ V <sub>OUT</sub> ≤ V <sub>DD</sub>	-	-	±1	μA
V <sub>IH</sub>	Input HIGH voltage		0.7 × V <sub>DD</sub>	-	V <sub>DD</sub> + 0.3	V
V <sub>IL</sub>	Input LOW voltage		- 0.3	-	0.3 × V <sub>DD</sub>	V
V <sub>OH1</sub>	Output HIGH voltage	I <sub>OH</sub> = -1 mA, V <sub>DD</sub> = 2.7 V.	2.4	-	-	V
V <sub>OH2</sub>	Output HIGH voltage	I <sub>OH</sub> = -100 μA	V <sub>DD</sub> - 0.2	-	-	V
V <sub>OL1</sub>	Output LOW voltage	I <sub>OL</sub> = 2 mA, V <sub>DD</sub> = 2.7 V	-	-	0.4	V
V <sub>OL2</sub>	Output LOW voltage	I <sub>OL</sub> = 150 μA	-	-	0.2	V
R <sub>IN</sub> <sup>[4]</sup>	Input resistance (HOLD pin)	For V <sub>IN</sub> = V <sub>IH</sub> (min)	40	-	-	kΩ
		For V <sub>IN</sub> = V <sub>IL</sub> (max)	1	-	-	MΩ

### Notes

- Typical values are at 25 °C, V<sub>DD</sub> = V<sub>DD</sub>(typ). Not 100% tested.
- The input pull-up circuit is strong (> 40 kΩ) when the input voltage is above V<sub>IH</sub> and weak (>1 MΩ) when the input voltage is below V<sub>IL</sub>.

### Data Retention and Endurance

Parameter	Description	Test condition	Min	Max	Unit
T <sub>DR</sub>	Data retention	T <sub>A</sub> = 85 °C	10	–	Years
		T <sub>A</sub> = 75 °C	38	–	
		T <sub>A</sub> = 65 °C	151	–	
NV <sub>C</sub>	Endurance	Over operating temperature	10 <sup>14</sup>	–	Cycles

### Capacitance

Parameter <sup>[5]</sup>	Description	Test Conditions	Max	Unit
C <sub>O</sub>	Output pin capacitance (SO)	T <sub>A</sub> = 25 °C, f = 1 MHz, V <sub>DD</sub> = V <sub>DD</sub> (typ)	8	pF
C <sub>I</sub>	Input pin capacitance		6	pF

### Thermal Resistance

Parameter	Description	Test Conditions	8-pin SOIC	8-pin TDFN	Unit
Θ <sub>JA</sub>	Thermal resistance (junction to ambient)	Test conditions follow standard test methods and procedures for measuring thermal impedance, per EIA / JESD51.	146	21	°C/W
Θ <sub>JC</sub>	Thermal resistance (junction to case)		48	35	°C/W

### AC Test Conditions

Input pulse levels .....10% and 90% of V<sub>DD</sub>  
 Input rise and fall times .....3 ns  
 Input and output timing reference levels .....0.5 × V<sub>DD</sub>  
 Output load capacitance ..... 30 pF

**Note**

5. This parameter is characterized and not 100% tested.



## AC Switching Characteristics

Over the [Operating Range](#)

Parameters <sup>[6]</sup>		Description	$V_{DD} = 2.0\text{ V to }2.7\text{ V}$		$V_{DD} = 2.7\text{ V to }3.6\text{ V}$		Unit
Cypress Parameter	Alt. Parameter		Min	Max	Min	Max	
$f_{SCK}$	–	SCK clock frequency	0	25	0	40	MHz
$t_{CH}$	–	Clock HIGH time	20	–	11	–	ns
$t_{CL}$	–	Clock LOW time	20	–	11	–	ns
$t_{CSU}$	$t_{CSS}$	Chip select setup	12	–	10	–	ns
$t_{CSH}$	$t_{CSH}$	Chip select hold	12	–	10	–	ns
$t_{OD}^{[7, 8]}$	$t_{HZCS}$	Output disable time	–	20	–	12	ns
$t_{ODV}$	$t_{CO}$	Output data valid time	–	18	–	9	ns
$t_{OH}$	–	Output hold time	0	–	0	–	ns
$t_D$	–	Deselect time	60	–	40	–	ns
$t_R^{[9, 10]}$	–	Data in rise time	–	50	–	50	ns
$t_F^{[9, 10]}$	–	Data in fall time	–	50	–	50	ns
$t_{SU}$	$t_{SD}$	Data setup time	8	–	5	–	ns
$t_H$	$t_{HD}$	Data hold time	8	–	5	–	ns
$t_{HS}$	$t_{SH}$	$\overline{\text{HOLD}}$ setup time	12	–	10	–	ns
$t_{HH}$	$t_{HH}$	$\overline{\text{HOLD}}$ hold time	12	–	10	–	ns
$t_{HZ}^{[7, 8]}$	$t_{HHZ}$	$\overline{\text{HOLD}}$ LOW to HI-Z	–	25	–	20	ns
$t_{LZ}^{[8]}$	$t_{HLZ}$	$\overline{\text{HOLD}}$ HIGH to data active	–	25	–	20	ns

### Notes

- Test conditions assume a signal transition time of 3 ns or less, timing reference levels of  $0.5 \times V_{DD}$ , input pulse levels of 10% to 90% of  $V_{DD}$ , and output loading of the specified  $I_{OL}/I_{OH}$  and 30 pF load capacitance shown in [AC Test Conditions on page 14](#).
- $t_{OD}$  and  $t_{HZ}$  are specified with a load capacitance of 5 pF. Transition is measured when the outputs enter a high impedance state
- This parameter is characterized and not 100% tested.
- Rise and fall times measured between 10% and 90% of waveform.

Figure 17. Synchronous Data Timing (Mode 0)

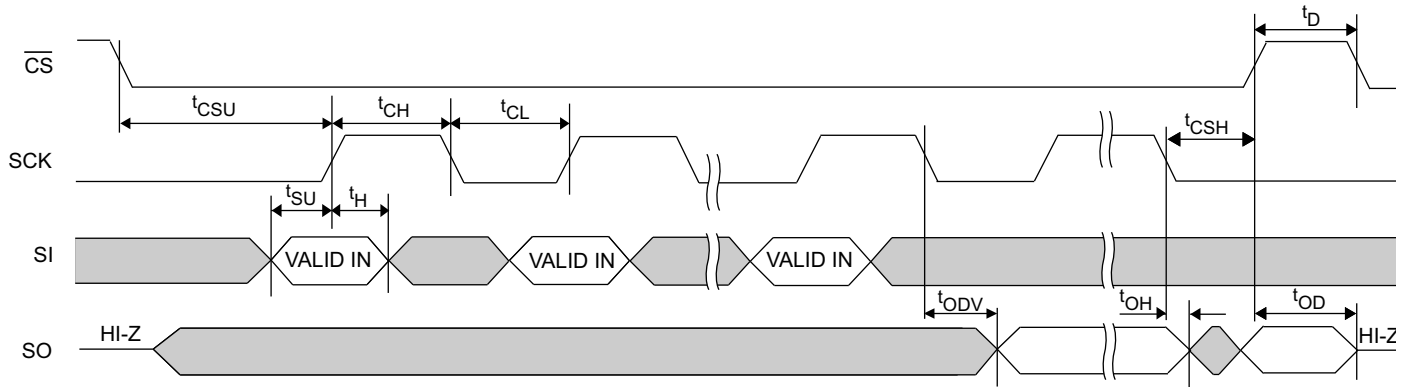
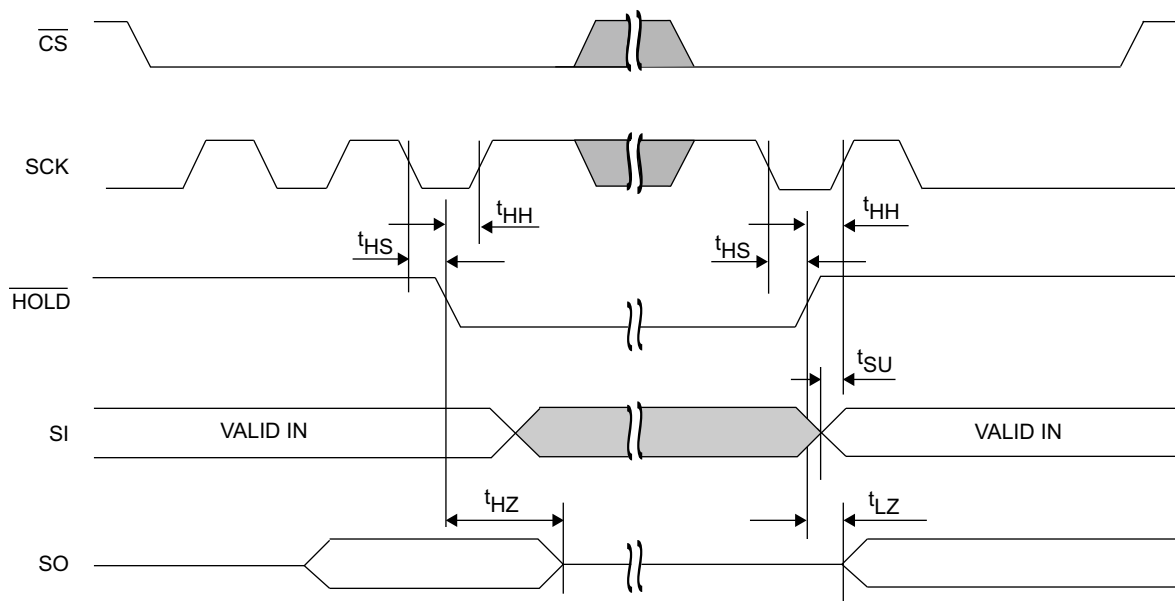


Figure 18. HOLD Timing

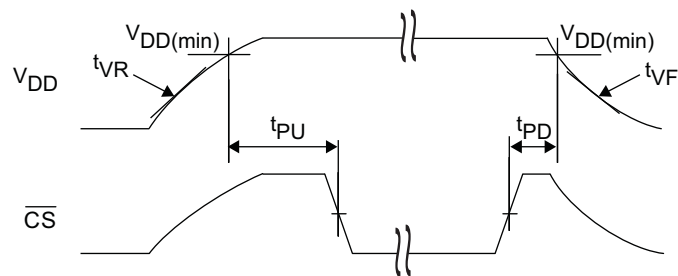


## Power Cycle Timing

Over the [Operating Range](#)

Parameter	Description	Min	Max	Unit
$t_{PU}$	Power-up $V_{DD(min)}$ to first access ( $\overline{CS}$ LOW)	250	–	$\mu s$
$t_{PD}$	Last access ( $\overline{CS}$ HIGH) to power-down ( $V_{DD(min)}$ )	0	–	$\mu s$
$t_{VR}^{[11, 12]}$	$V_{DD}$ power-up ramp rate	50	–	$\mu s/V$
$t_{VF}^{[11, 12]}$	$V_{DD}$ power-down ramp rate	100	–	$\mu s/V$
$t_{REC}^{[13]}$	Recovery time from sleep mode	–	400	$\mu s$

**Figure 19. Power Cycle Timing**



### Notes

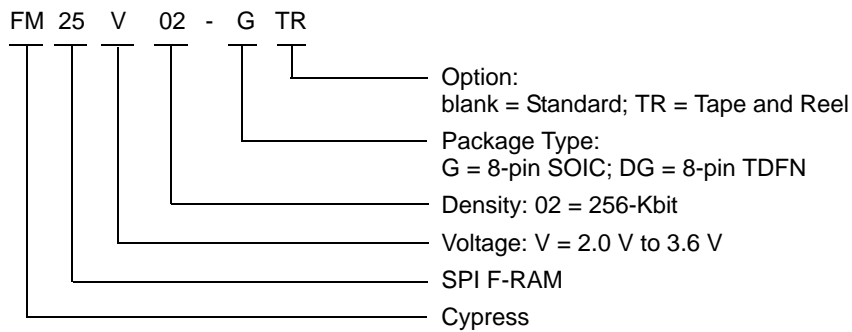
11. Slope measured at any point on the  $V_{DD}$  waveform.
12. This parameter is characterized and not 100% tested
13. Guaranteed by design. Refer to [Figure 15](#) for sleep mode recovery timing.

**Ordering Information**

Ordering Code	Package Diagram	Package Type	Operating Range
FM25V02-G	51-85066	8-pin SOIC	Industrial
FM25V02-GTR	51-85066	8-pin SOIC	
FM25V02-DG	001-85260	8-pin TDFN	
FM25V02-DGTR	001-85260	8-pin TDFN	

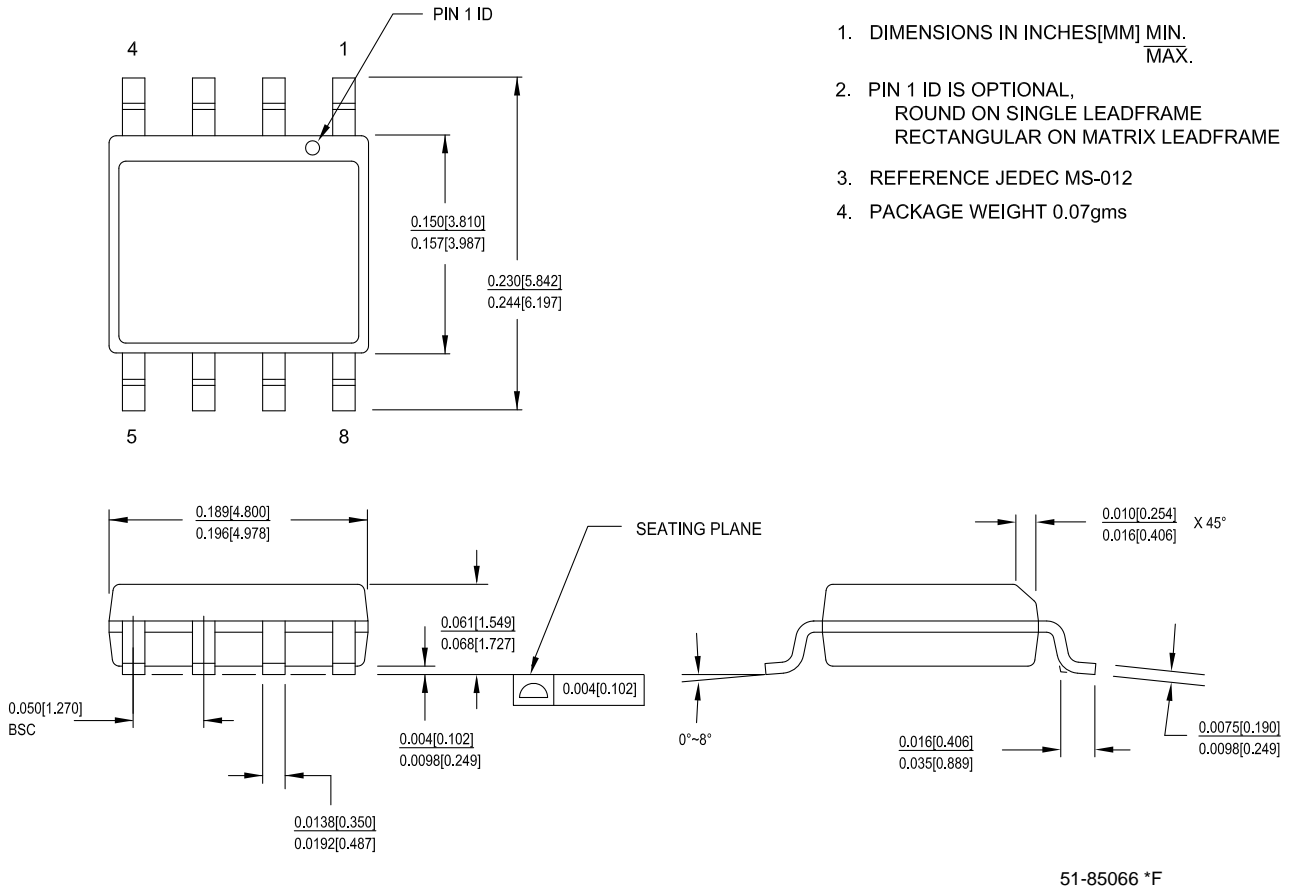
All these parts are Pb-free. Contact your local Cypress sales representative for availability of these parts.

**Ordering Code Definitions**



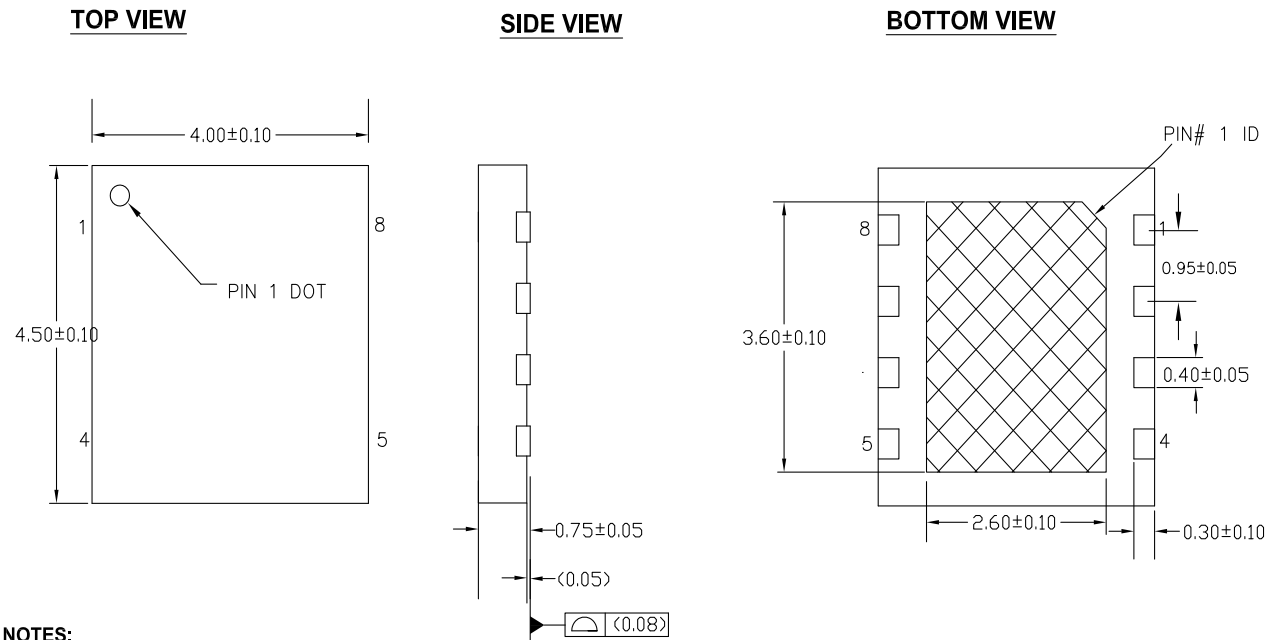
Package Diagrams

Figure 20. 8-pin SOIC (150 Mils) Package Outline, 51-85066




Package Diagrams (continued)

Figure 21. 8-pin DFN (4.0 x 4.5 x 0.8 mm) Package Outline, 001-85260



NOTES:

1.  HATCH AREA IS SOLDERABLE EXPOSED PAD
2. REFERENCE JEDEC # MO-229F
3. ALL DIMENSIONS ARE IN MILLIMETERS

001-85260 \*A



## Acronyms

Acronym	Description
CPHA	Clock Phase
CPOL	Clock Polarity
EEPROM	Electrically Erasable Programmable Read-Only Memory
EIA	Electronic Industries Alliance
F-RAM	Ferroelectric Random Access Memory
I/O	Input/Output
JEDEC	Joint Electron Devices Engineering Council
JESD	JEDEC Standards
LSB	Least Significant Bit
MSB	Most Significant Bit
RoHS	Restriction of Hazardous Substances
SPI	Serial Peripheral Interface
SOIC	Small Outline Integrated Circuit
TDFN	Thin Dual Flat No-lead

## Document Conventions

### Units of Measure

Symbol	Unit of Measure
°C	degree Celsius
Hz	hertz
kHz	kilohertz
kΩ	kilohm
Mbit	megabit
MHz	megahertz
μA	microampere
μF	microfarad
μs	microsecond
mA	milliampere
ms	millisecond
ns	nanosecond
Ω	ohm
%	percent
pF	picofarad
V	volt
W	watt

Document History Page

Document Title: FM25V02, 256-Kbit (32 K x 8) Serial (SPI) F-RAM				
Document Number: 001-84494				
Rev.	ECN No.	Orig. of Change	Submission Date	Description of Change
**	3912930	GVCH	02/25/2013	New spec
*A	3994285	GVCH	05/14/2013	Removed FM25VN02 part related information Added Appendix A - Errata for FM25V02
*B	4045438	GVCH	06/30/2013	All errata items are fixed and the errata is removed.
*C	4227729	GVCH	01/23/2014	Converted to Cypress standard format Updated <a href="#">Pinouts</a> - Updated <a href="#">Figure 2</a> (Added EXPOSED PAD details) Updated <a href="#">Pin Definitions</a> - Added EXPOSED PAD details. Updated <a href="#">Maximum Ratings</a> table - Removed Moisture Sensitivity Level (MSL) - Added junction temperature and latch up current Updated <a href="#">Data Retention and Endurance</a> table - Added data retention value at 65 °C and 75 °C temperature Added <a href="#">Thermal Resistance</a> table Removed Package Marking Scheme (top mark) Removed Ramtron revision history Completing Sunset Review

## Sales, Solutions, and Legal Information

### Worldwide Sales and Design Support

Cypress maintains a worldwide network of offices, solution centers, manufacturer's representatives, and distributors. To find the office closest to you, visit us at [Cypress Locations](#).

#### Products

<a href="#">Automotive</a>	<a href="#">cypress.com/go/automotive</a>
<a href="#">Clocks &amp; Buffers</a>	<a href="#">cypress.com/go/clocks</a>
<a href="#">Interface</a>	<a href="#">cypress.com/go/interface</a>
<a href="#">Lighting &amp; Power Control</a>	<a href="#">cypress.com/go/powerpsoc</a> <a href="#">cypress.com/go/plc</a>
<a href="#">Memory</a>	<a href="#">cypress.com/go/memory</a>
<a href="#">PSoC</a>	<a href="#">cypress.com/go/psoc</a>
<a href="#">Touch Sensing</a>	<a href="#">cypress.com/go/touch</a>
<a href="#">USB Controllers</a>	<a href="#">cypress.com/go/USB</a>
<a href="#">Wireless/RF</a>	<a href="#">cypress.com/go/wireless</a>

#### PSoC<sup>®</sup> Solutions

[psoc.cypress.com/solutions](#)  
[PSoC 1](#) | [PSoC 3](#) | [PSoC 4](#) | [PSoC 5LP](#)

#### Cypress Developer Community

[Community](#) | [Forums](#) | [Blogs](#) | [Video](#) | [Training](#)

#### Technical Support

[cypress.com/go/support](#)

---

© Cypress Semiconductor Corporation, 2014. The information contained herein is subject to change without notice. Cypress Semiconductor Corporation assumes no responsibility for the use of any circuitry other than circuitry embodied in a Cypress product. Nor does it convey or imply any license under patent or other rights. Cypress products are not warranted nor intended to be used for medical, life support, life saving, critical control or safety applications, unless pursuant to an express written agreement with Cypress. Furthermore, Cypress does not authorize its products for use as critical components in life-support systems where a malfunction or failure may reasonably be expected to result in significant injury to the user. The inclusion of Cypress products in life-support systems application implies that the manufacturer assumes all risk of such use and in doing so indemnifies Cypress against all charges.

Any Source Code (software and/or firmware) is owned by Cypress Semiconductor Corporation (Cypress) and is protected by and subject to worldwide patent protection (United States and foreign), United States copyright laws and international treaty provisions. Cypress hereby grants to licensee a personal, non-exclusive, non-transferable license to copy, use, modify, create derivative works of, and compile the Cypress Source Code and derivative works for the sole purpose of creating custom software and or firmware in support of licensee product to be used only in conjunction with a Cypress integrated circuit as specified in the applicable agreement. Any reproduction, modification, translation, compilation, or representation of this Source Code except as specified above is prohibited without the express written permission of Cypress.

Disclaimer: CYPRESS MAKES NO WARRANTY OF ANY KIND, EXPRESS OR IMPLIED, WITH REGARD TO THIS MATERIAL, INCLUDING, BUT NOT LIMITED TO, THE IMPLIED WARRANTIES OF MERCHANTABILITY AND FITNESS FOR A PARTICULAR PURPOSE. Cypress reserves the right to make changes without further notice to the materials described herein. Cypress does not assume any liability arising out of the application or use of any product or circuit described herein. Cypress does not authorize its products for use as critical components in life-support systems where a malfunction or failure may reasonably be expected to result in significant injury to the user. The inclusion of Cypress' product in a life-support systems application implies that the manufacturer assumes all risk of such use and in doing so indemnifies Cypress against all charges.

Use may be limited by and subject to the applicable Cypress software license agreement.