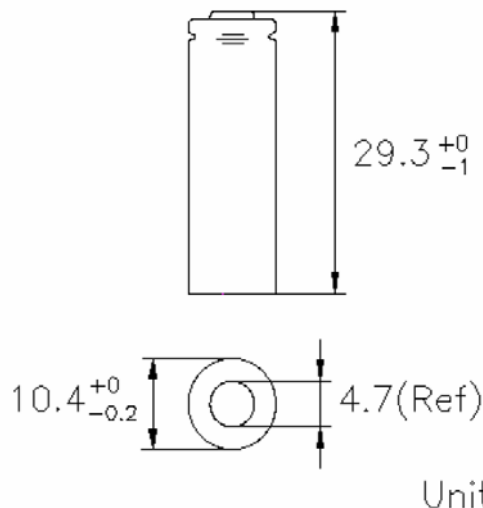
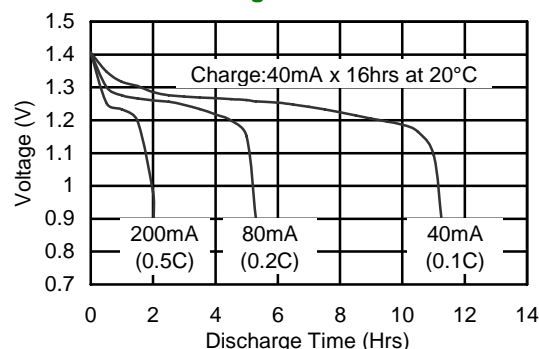


Model No.: GP40AAAM

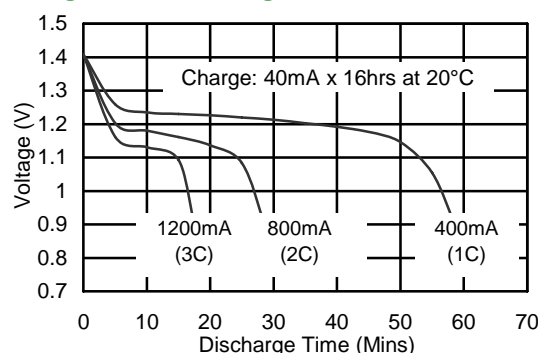
Type	: Rechargeable Nickel Metal Hydride Cylindrical Cell
Nominal Dimension (with Sleeve)	: $\Phi = 10.4\text{mm}$ H = 29.3mm
Applications	: Recommended discharge current 40 to 1200mA
Nominal Voltage	: 1.2V
Capacity	: Rated: 400mAh Typical: 420mAh When discharged at 80mA to 1.0V at 20°C
Charging Condition	: 40mA for 16 hrs at 20°C
Charging Retention	: 80% of rated capacity after cell storage at 20°C for 12 months When discharged at 80mA to 1.0V at 20°C
Fast Charge	: 200mA to 400mA (0.5 to 1C) charge termination control recommended control parameters: - ΔV : 0-5mV DT/dt : 0.8°C/min (0.5 to 0.9C) 0.8 - 1°C/min (1C) TCO : 45 - 50°C Timer : 105% nominal input (for ref. only)
Service Life	: > 500 cycles (IEC standard)
Continuous Overcharge	: 40mA maximum current for 1 year. No conspicuous deformation and/or leakage
Weight	: 8.0g
Internal Resistance	: Average 65m Ω upon fully charged (Max. 80m Ω) at 1000Hz
Max. Charging Voltage	: 1.5V at 40mA charging
Ambient Temperature Range	: Standard Charge : 0 to 45°C Fast Charging : 10 to 45°C Discharge : -20 to 50°C Storage : -20 to 35°C



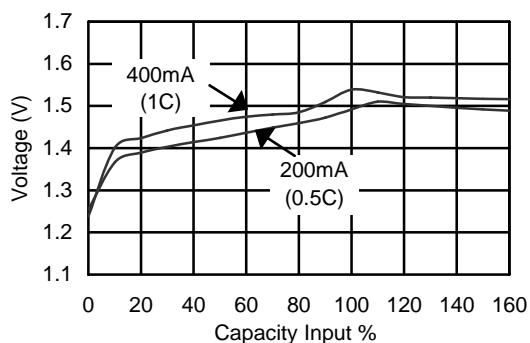
Low Rate Discharge



High Rate Discharge



Fast Charge (Charge Control Required)



The information (subject to change without prior notice) contained in this document is for reference only and should not be used as a basis for product guarantee or warranty. For applications other than those described here, please consult your nearest GP Sales and Marketing Office or Distributors.