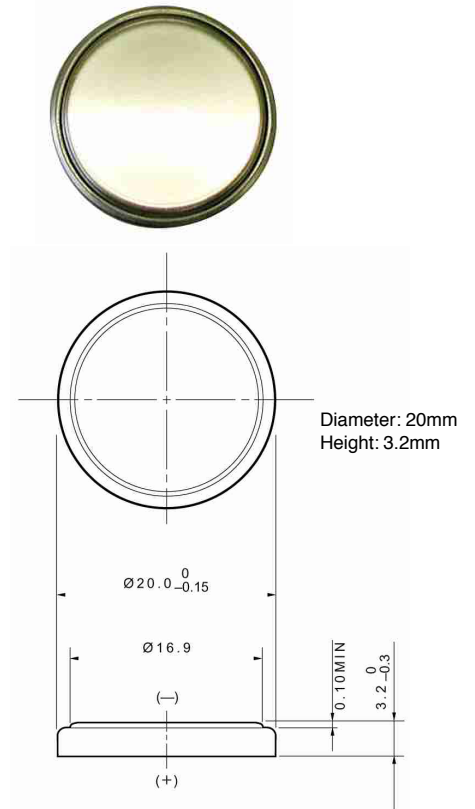


Description : Flat Lithium Battery
Chemical system : Lithium Manganese Dioxide
Nominal voltage : 3 Volts
Nominal capacity : 220mAh
Dimensions : $\varnothing 20.0 \times 3.2\text{mm}$
Shelf life : 5 years at room temperature
Average weight : 3.2 grams
Application : Computer memory back up, Photo
Operating temperature : -10°C to $+60^{\circ}\text{C}$

Cross References:

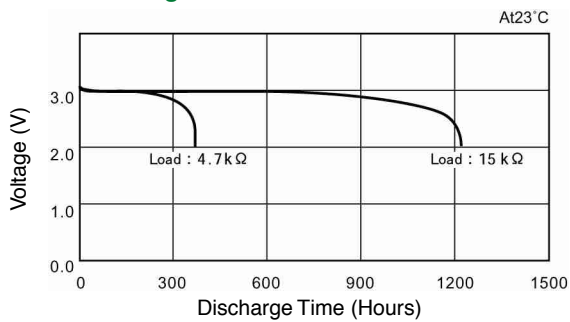
IEC	JIS	Eveready	Varta	Duracell
CR2032	CR2032	ECR2032	CR2032	DL2032

Model No.: **CR2032**

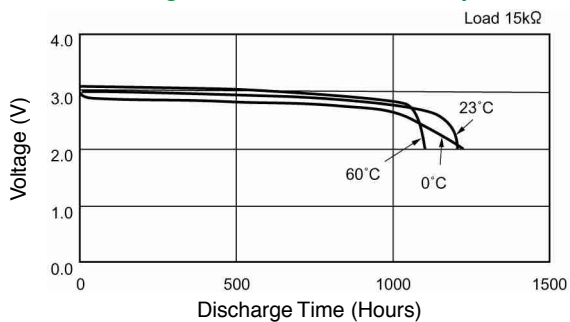


Dimension Drawing

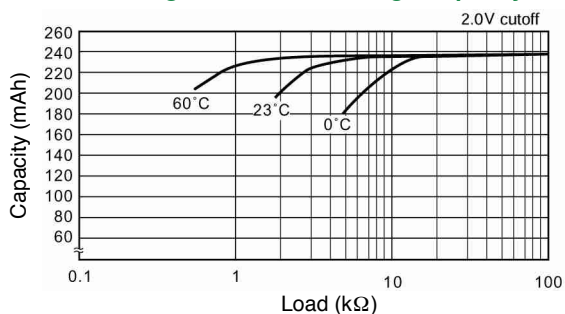
Discharge Characteristics on Load



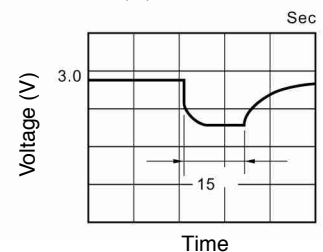
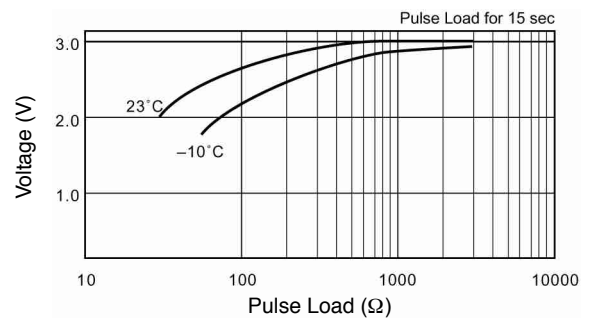
Discharge Characteristics on Temperature



Discharge Load vs. Discharge Capacity



Discharge Characteristics on Pulse Load (Discharge depth 40%)



The information (subject to change without prior notice) contained in this document is for reference only and should not be used as a basis for product guarantee or warranty. For applications other than those described here, please consult your nearest GP Sales and Marketing Office or Distributors.