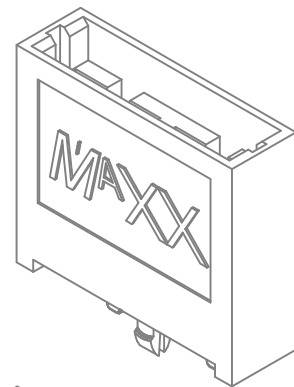
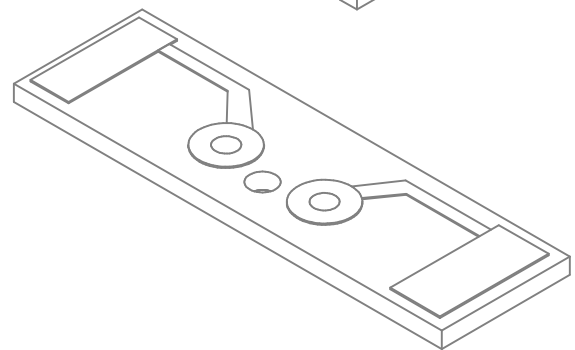
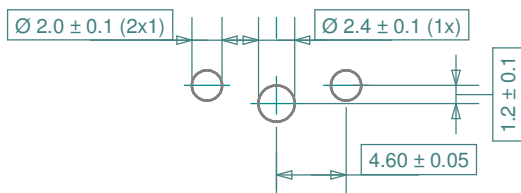


3D not to scale



PCB layout



iMaXX ref.	Description	Material
H1810-2x1	PCB fuse holder assembled, 2x1 pin	
H1810	Fuse holder body, black	PA66 GF12.5 UL 94V-0
CBX105FL	contact PCB, 1 pin, loose	KHP102 R520, Sn plated

Note: H1810 fuse holder series suited for iMaXX F1500 & F1900 normOTO blade fuse series

Revisions		Date	Appr.
Date	Type	Drawn	02/11
02/11	replaces H1800 drawing 1	Checked	04/17
a	03/11 contact partnumber revised	Standards	
b	04/14 updated materials	Approved	04/17
c	04/17 updated materials and note		

Scale	2 : 1	Title	H1810-2x1 normOTO PCB fuse holder 1p
Projection		Drawing type	schematic
		Drawing number	H1810-2x1 drawing 1
		Sheet	1 of 1
		Layers / Sheet	01 2 6 89 11 Sheet 01

