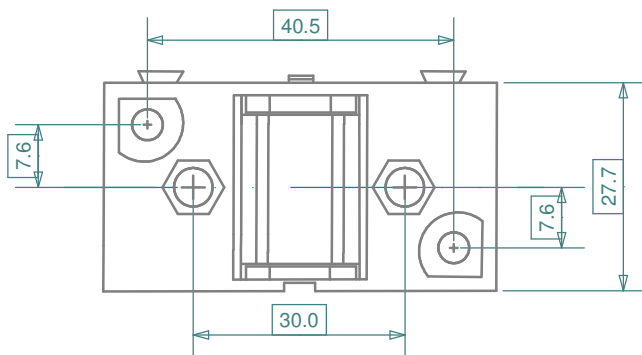
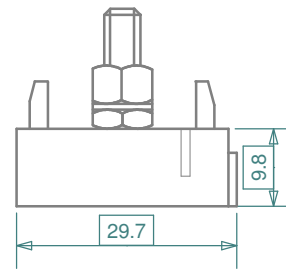
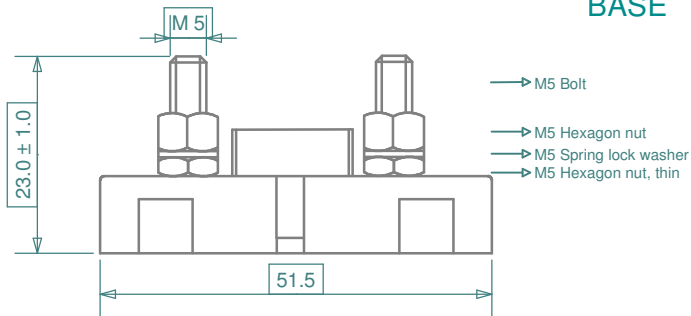


BASE



NOTES:

Base material PA6.6FR GF30, UL94 V0, color black
 Cover material PA6FR, UL94 V0, color black
 Two M5 studs to install midiOTO,
 MSU or MSO type fuses
 Nut mounting torque 2 - 3 Nm

Revisions		Drawn	Date	Appr.
b	11/03 added cover skirts	Checked	08/03	GRH
c	02/08 re-drawn	Standards	12/17	BE
d	06/10 added cable hole dimensions	Approved	12/17	AdH
e	07/11 updated dimensions			
f	05/14 updated dimensions / notes	Scale 1 : 1		
g	12/17 updated dimensions, new tooling	Projection	Tolerance ± 0.5 mm unless otherwise noted	



Title	HMD1 series, midiOTO fuse holder
Drawing type	schematic
Drawing number	HMD1 drawing 1
Sheet	1 of 1
Layers / Sheet	0 1 2 3 4 6 8