

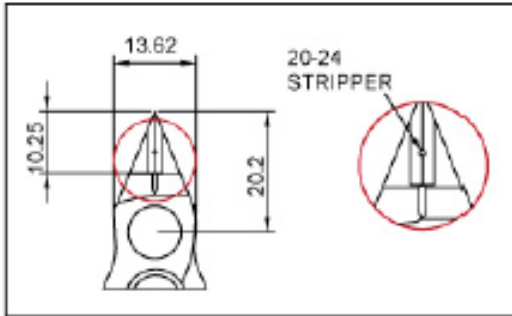


亨龍工業有限公司

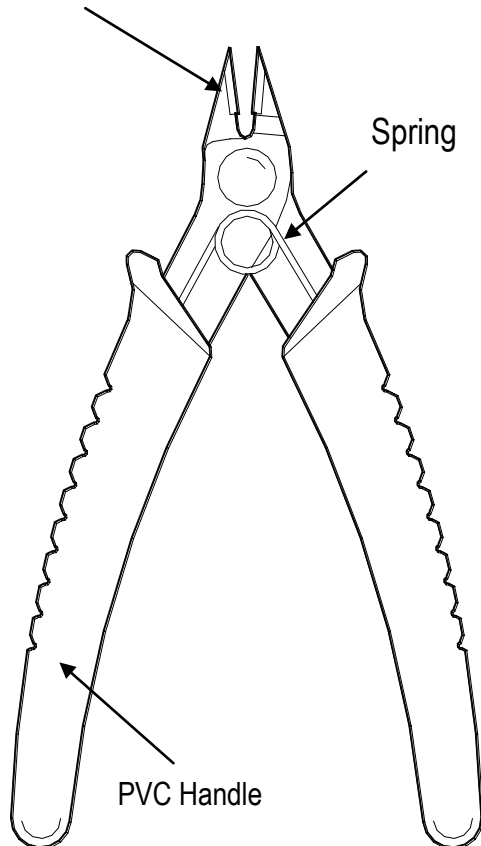
HANLONG INDUSTRIAL CO., LTD

NO.58 CHUNG SHAN RD., TU CHENG DISTRICT, TEL: 886-2-2267-6700 FAX: 886-2-2267-6757
NEW TAIPEI CITY 23680, TAIWAN E-mail: hanlong@hanlong.com.tw

HT-1091 5" Electrical Cutter



Cutter with stripping hole



Specification :

* **Item No** : HT-109

* **Function** :

flush cutting & w/stripping for
wire from 20-24AWG (φ 0.5- 0.8 mm)

* **Length** : 5" (127mm)

* **Weight** : 60g

* **Material** : Middle Carbon Steel With Harden.

* **Finished** : Black Oxide Finished.



2012.11.15

Stacy
