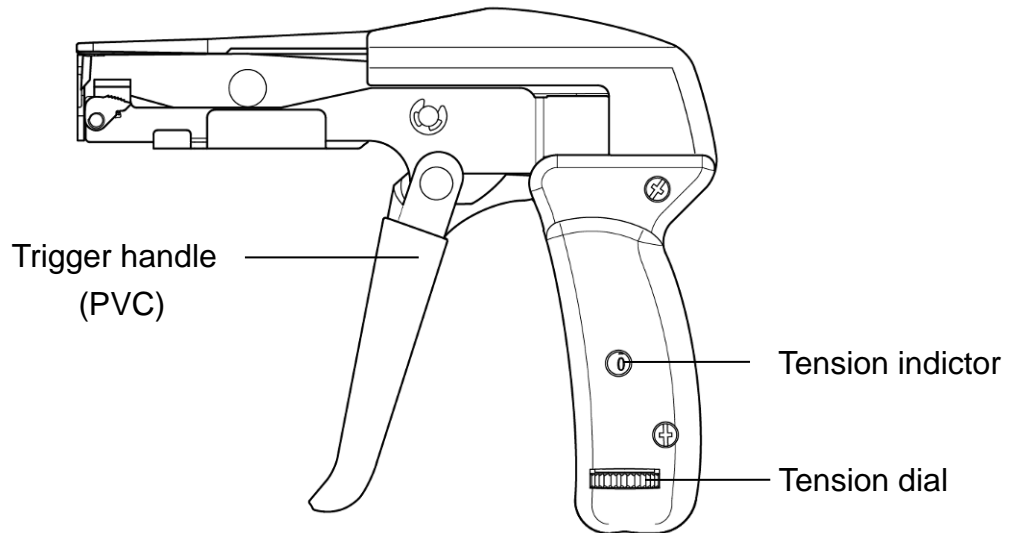


HT-218 Nylon Cable Tie Fastening Tool



SPECIFICATION

- * **Item No** HT-218
- * **Length** 6.15"x5.0" (156x127mm)
- * **Weight** 304 g
- * **Material** Body : Aluminum alloy with silver lacquered cover
Blade : Middle carbon steel

* Feature

1. Fastens nylon cable tie width form 2.5 to 4.8mm.
2. Fastens nylon cable tie thickness up to 1.6mm.
3. Equipped with adjustable tension mechanism for 4 levels bundling pressure.
4. Designed with automatic cut-off function once required tension is achieved.

* Tension Strength:

Strength Level	Tension Strength
0	3.3Kgf
1	5.4Kgf
2	8.7Kgf
3	11.6Kgf

* For reference only

