



亨龍工業有限公司 HANLONG INDUSTRIAL CO., LTD

NO.58 CHUNG SHAN RD., TU CHENG DISTRICT,
NEW TAIPEI CITY 23680, TAIWAN


TEL: 886-2 2267-6700 FAX: 886-2-22676757
E-mail: hanlong@hanlong.com.tw.

HT-336C RATCHET CRIMPING TOOL

SPECIFICATION:

* **Item No** : HT-336C

* **Crimping Range** :

	.256" 6.50mm	.319" 8.10mm	.068" 1.73mm	.213" 5.41mm
Description	For Crimping RG 58,59,62,6 Cable			

* **Length** : 8.7"(220mm)

* **Weight** : 500g

* **Material** :

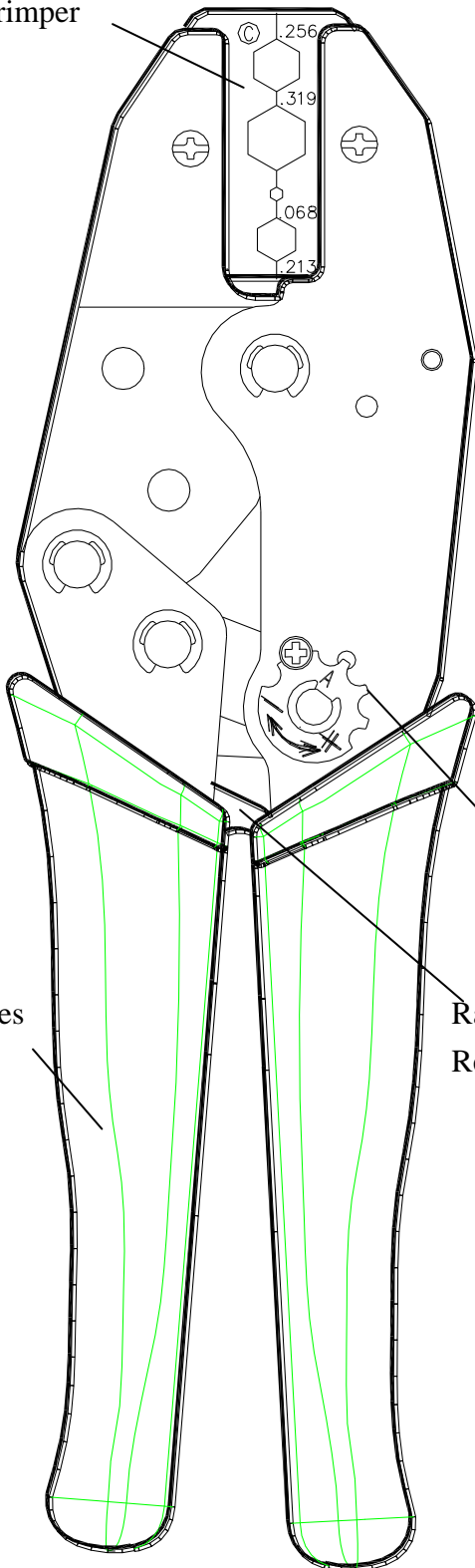
Frame – Middle Carbon Steel .

Crimper- Made Of Off Wax.

* **Finished** :

Black Oxide Finished With Hardened

Crimper



With
Adjusting Disc

Ratchet
Release

PP Handles



10/06/08

May
