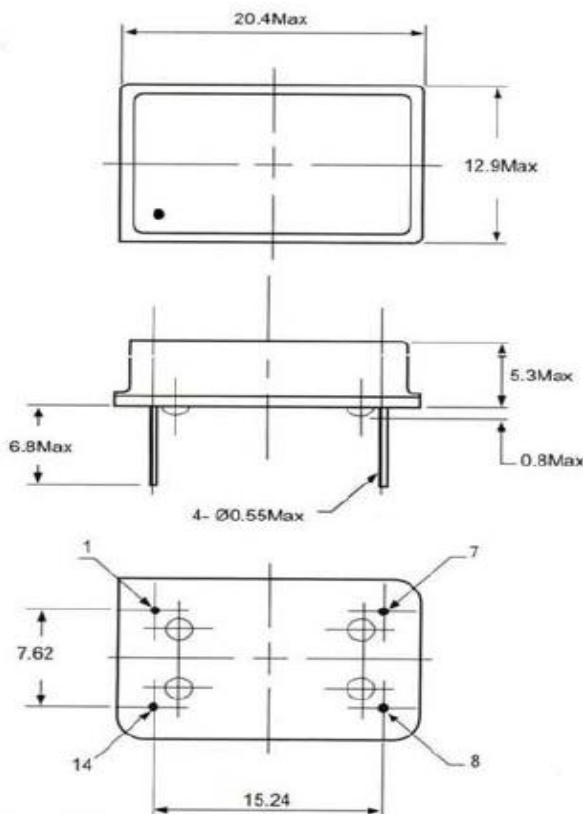


IO 31



Oscillator 1,8 V/2,5 V/3,3 V/5,0 V

Dimensions l/w/h (max)	20,4 mm x 12,9 mm x 5,3 mm
Frequency range	0,4 MHz to 200,0 MHz
Operating temperature	Refer to Ordering Guidance
Storage temperature	-55°C to +125°C
Frequency Control Range	± 10 ppm ~ ±100 ppm
Power supply voltage	1,8 V/ 2,5 V/ 3,3 V/ 5,0 V ±10%
Output Level	CMOS
Output Symmetry	45/55% or 40-60% optional
Input current	60 mA max
Rise & Fall Time	10 nS max
Output Load	15 pF
Aging first year	±5 ppm



PIN	FUNCTION
# 1	NC or Tri-state E/D
# 7	GROUND
# 8	OUTPUT
# 14	VDD

