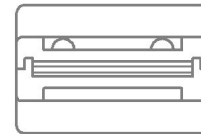
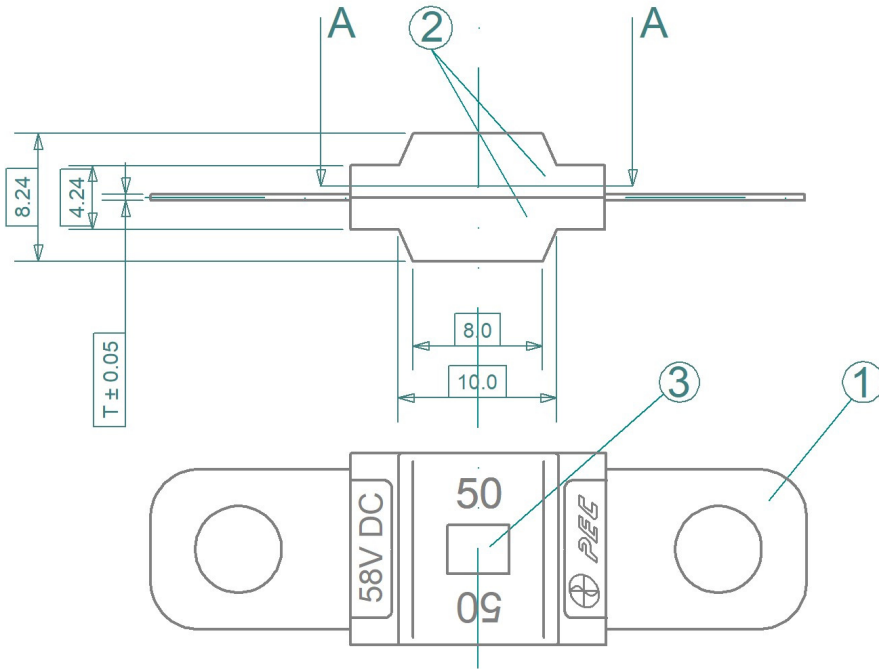


Section A - A
varies depending on rating
not to scale



Materials			
Nr.	Description	Qty	Material
1	Element	1	Cu Alloy, Sn plate
2	Housing	2	PA 6T
3	Window	2	PA R

Fusing time DIN ISO 8820-5 [s]				
	30 - 125 A		150 - 200 A	
Load [%]	Minimum [s]	Maximum [s]	Minimum [s]	Maximum [s]
75 %	-	-	360 000	
100 %	360 000	-	-	-
150 %	90	3 600	-	-
200 %	3	100	1	15
300 %	0.3	3	-	-
350 %	-	-	0.3	5
500 %	0.1	1	-	-
600 %	-	-	0.1	1

Rating [A]	Color	Volt [V]	T [mm]	ø D [mm]	iMaXX Ref.
30	Orange	58	0.40	5.4	MDP030
40	Green	58	0.40	5.4	MDP040
50	Red	58	0.40	5.4	MDP050
60	Yellow	58	0.40	5.4	MDP060
70	Brown	58	0.40	5.4	MDP070
80	White	58	0.40	5.4	MDP080
100	Blue	58	0.40	5.4	MDP100
125	Pink	58	0.40	5.4	MDP125
150	Gray	58	0.64	6.2	MDP150M6
175	Light Brown	58	0.64	6.2	MDP175M6
200	Violet	58	0.64	6.2	MDP200M6

Revisions			Date	Appr.
	Date	Type	Drawn	03/08 GRH
a	11/13	re-drawn, updated dimensions	Checked	09/20 BE
b	06/14	updated dimensions	Standards	
c	08/14	updated part numbers	Approved	09/20 AdH
d	09/20	Added ISO 8820-5 fusing gates		



Scale 2 : 1
Projection
Tolerance ± 0.3 mm unless otherwise noted

Title	MDP series midiOTO fuse
Drawing type	schematic
Drawing number	MDP drawing 1
Sheet	1 of 1
Layers / Sheet	0 1 2 3 4 6 8 9 10