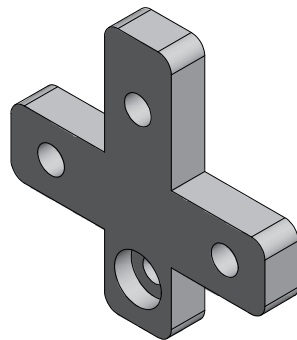
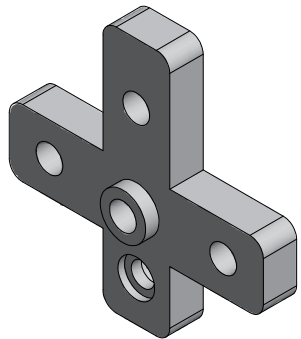
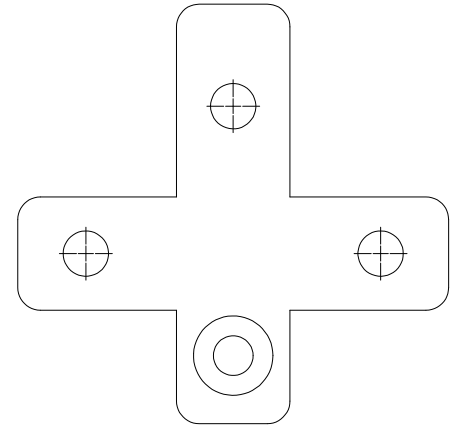
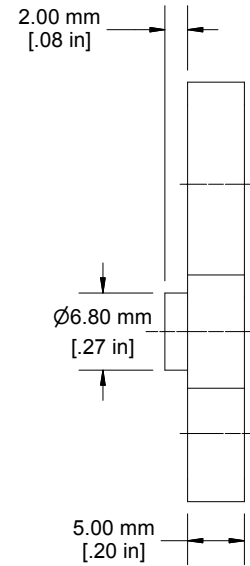
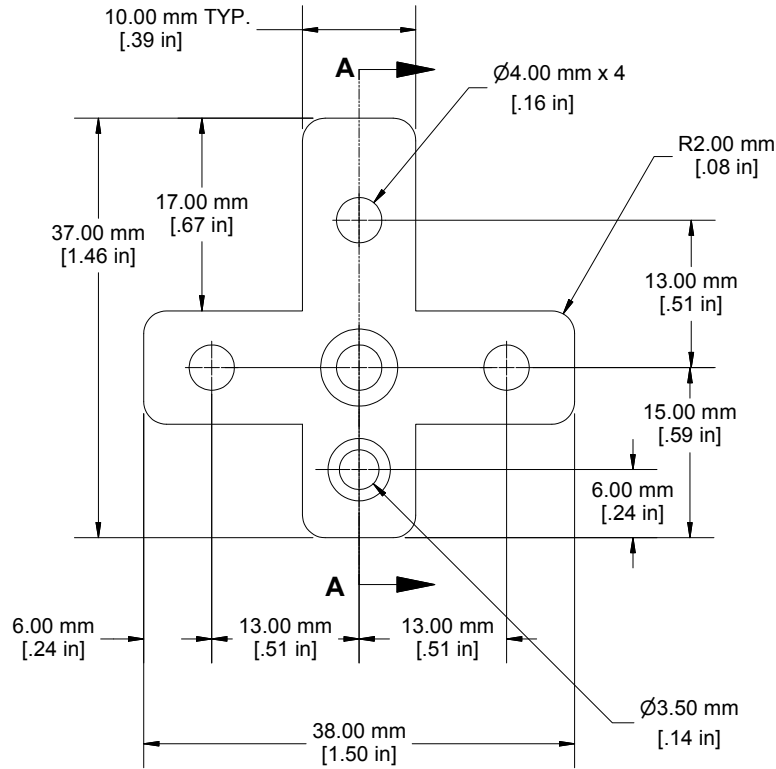
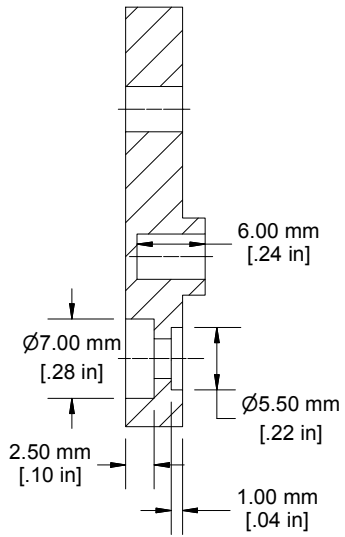


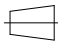


SECTION A-A



#	NOTE	
1	MF0040 is molded from PC, MF0045 = is molded from ABS	
DWN	L. Walsh	 HAMMOND MANUFACTURING CO. LTD. 485 Conestogo Road Waterloo, Ontario, N2L 4C9, Canada
DATE	NOV, 2011	
CHK		
MAT'L		THIS DRAWING IS PROPRIETARY INFORMATION OF HAMMOND MFG. CO. LTD. NOT TO BE USED WITHOUT EXPRESSED WRITTEN PERMISSION OF HAMMOND MFG. CO. LTD.
SHEET		
 		MF0040 / MF0045